

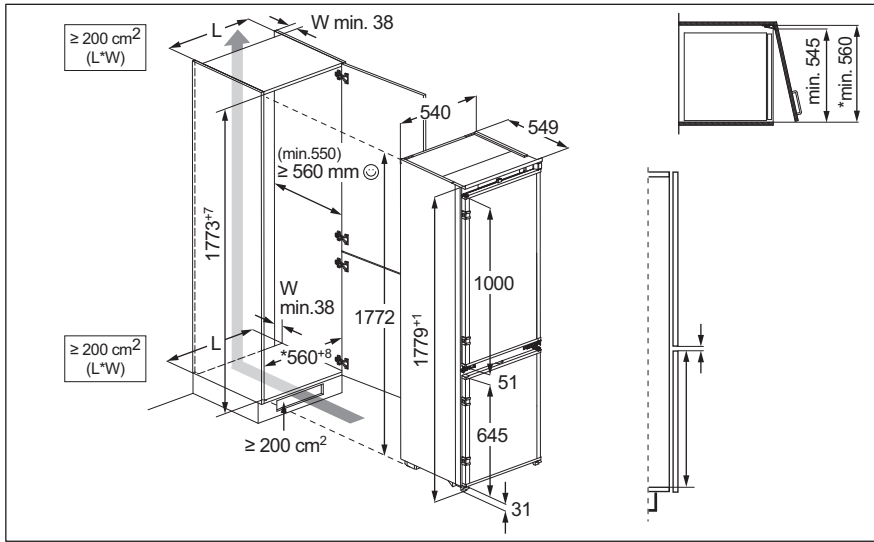


**ENT6MD18S3**

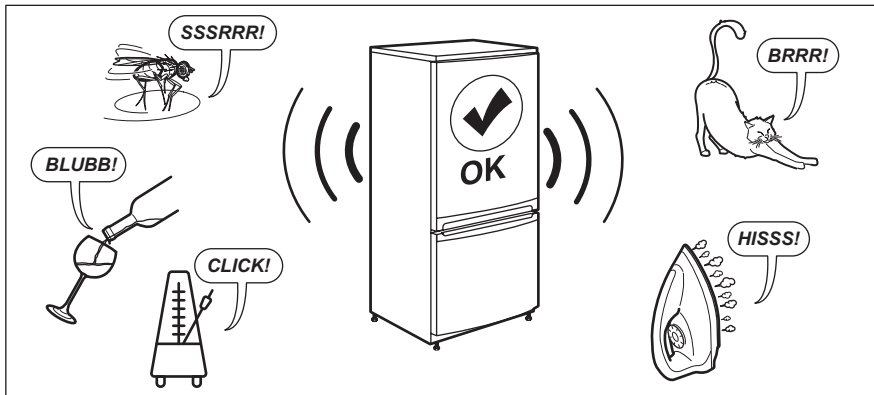
<b>EN</b>	User Manual   <b>Fridge Freezer</b>	<b>3</b>
<b>FR</b>	Notice d'utilisation   <b>Réfrigérateur/congélateur</b>	<b>16</b>
<b>DE</b>	Benutzerinformation   <b>Kühl - Gefrierschrank</b>	<b>31</b>
<b>IS</b>	Notendaleiðbeiningar   <b>Ískápur-Frystir</b>	<b>46</b>
<b>ES</b>	Manual de instrucciones   <b>Frigorífico-congelador</b>	<b>59</b>



# INSTALLATION / INSTALLATION / MONTAGE / UPPSETNING / INSTALACIÓN



# NOISES / BRUITS / GERÄUSCHE / HÁVAÐI / RUIDOS



# Welcome to Electrolux! Thank you for choosing our appliance.



Get usage advice, brochures, troubleshooting, service and repair information:  
[www.electrolux.com/support](http://www.electrolux.com/support)

Subject to change without notice.

## CONTENTS

1. SAFETY INFORMATION.....	3
2. SAFETY INSTRUCTIONS.....	5
3. CONTROL PANEL.....	7
4. DAILY USE.....	8
5. HINTS AND TIPS.....	10
6. CARE AND CLEANING.....	12
7. TROUBLESHOOTING.....	12
8. TECHNICAL DATA.....	15
9. INFORMATION FOR TEST INSTITUTES.....	15
10. ENVIRONMENTAL CONCERNS.....	15

## 1. ⚠ SAFETY INFORMATION

Before the installation and use of the appliance, carefully read the supplied instructions. The manufacturer is not responsible for any injuries or damage that are the result of incorrect installation or usage. Always keep the instructions in a safe and accessible location for future reference.

### 1.1 Children and vulnerable people safety

- This appliance can be used by children aged from 8 years and above and persons with reduced physical, sensory or mental capabilities or lack of experience and knowledge if they have been given supervision or instruction concerning the use of the appliance in a safe way and understand the hazards involved. Children aged from 3 to 8 years and persons with very extensive and complex disabilities are allowed to load and unload the appliance provided that they have been properly instructed. Children of less than 3 years of age should be kept away from the appliance unless continuously supervised.

- Children should be supervised to ensure that they do not play with the appliance.
- Children shall not carry out cleaning and user maintenance of the appliance without supervision.
- Keep all packaging away from children and dispose of it appropriately.

## **1.2 General Safety**

- This appliance is for storing food and beverages only.
- This appliance is designed for single household domestic use in an indoor environment.
- This appliance may be used in, offices, hotel guest rooms, bed & breakfast guest rooms, farm guest houses and other similar accommodation where such use does not exceed (average) domestic usage levels.
- To avoid contamination of food respect the following instructions:
  - do not open the door for long periods;
  - clean regularly surfaces that can come in contact with food and accessible drainage systems;
  - store raw meat and fish in suitable containers in the refrigerator, so that it is not in contact with or drip onto other food.
- **WARNING:** Keep ventilation openings, in the appliance enclosure or in the built-in structure, clear of obstruction.
- **WARNING:** Do not use mechanical devices or other means to accelerate the defrosting process, other than those recommended by the manufacturer.
- **WARNING:** Do not damage the refrigerant circuit.
- **WARNING:** Do not use electrical appliances inside the food storage compartments of the appliance, unless they are of the type recommended by the manufacturer.
- Do not use water spray and steam to clean the appliance.
- Clean the appliance with a moist soft cloth. Only use neutral detergents. Do not use abrasive products, abrasive cleaning pads, solvents or metal objects.

- When the appliance is empty for long period, switch it off, defrost, clean, dry and leave the door open to prevent mould from developing within the appliance.
- Do not store explosive substances such as aerosol cans with a flammable propellant in this appliance.
- If the supply cord is damaged, it must be replaced by the manufacturer, its Authorised Service Centre or similarly qualified persons in order to avoid a hazard.

## 2. SAFETY INSTRUCTIONS

### 2.1 Installation

#### **WARNING!**

Only a qualified person must install this appliance.

- Remove all the packaging.
- Do not install or use a damaged appliance.
- Do not use the appliance before installing it in the built-in structure due to safety manner.
- Follow the separate instructions for the appliance installation and door reversing available on our website.
- Always take care when moving the appliance as it is heavy. Always use safety gloves and enclosed footwear.
- Make sure the air can circulate around the appliance.
- At first installation or after reversing the door, wait at least 4 hours before connecting the appliance to the power supply. This is to allow the oil to flow back in the compressor.
- Before carrying out any operations on the appliance (e.g. reversing the door), remove the plug from the power socket.
- Do not install the appliance close to radiators or cookers, ovens, or hobs, unless otherwise specified in the installation instructions.
- Do not expose the appliance to the rain.
- Do not install the appliance where there is direct sunlight.
- Do not install this appliance in areas that are too humid or too cold.

- When you move the appliance, lift it by the front edge to avoid scratching the floor.
- Protect the floor from scratches when reversing the appliance door.
- The appliance contains a bag of desiccant. This is not a toy. This is not food. Please dispose of it immediately.

### 2.2 Electrical connection

#### **WARNING!**

Risk of fire and electric shock.

#### **WARNING!**

When positioning the appliance, ensure the supply cord is not trapped or damaged.

#### **WARNING!**

Do not use multi-plug adapters and extension cables.

- Make sure that the parameters on the rating plate are compatible with the electrical ratings of the mains power supply.
- The appliance must be earthed.
- Always use a correctly installed shockproof socket.
- If the domestic power supply socket is not earthed, connect the appliance to a separate earth in compliance with current regulations, consulting a qualified electrician.
- Make sure not to cause damage to the electrical components (e.g. mains plug,

mains cable, compressor). Contact the Authorised Service Centre or an electrician to change the electrical components.

- The mains cable must stay below the level of the mains plug.
- Connect the mains plug to the mains socket only at the end of the installation. Make sure that there is access to the mains plug after the installation.
- Do not pull the mains cable to disconnect the appliance. Always pull the mains plug.

### 2.3 Use

#### **WARNING!**

Risk of injury, burns, electric shock or fire.



The appliance contains flammable gas, isobutane (R600a), a natural gas with a high level of environmental compatibility. Be careful not to cause damage to the refrigerant circuit containing isobutane.

- Do not change the specification of this appliance.
- Any use of the built-in product as free-standing is strictly prohibited.
- This appliance is intended to be used at ambient temperature ranging from 10°C to 38°C. The specified temperature range guarantees the correct operations of the appliance.
- Do not put electrical appliances (e.g. ice cream makers) in the appliance unless they are stated applicable by the manufacturer.
- If damage occurs to the refrigerant circuit, make sure that there are no flames and sources of ignition in the room. Ventilate the room.
- Do not let hot items to touch the plastic parts of the appliance.
- Do not put soft drinks in the freezer compartment. This will create pressure on the drink container.
- Do not store flammable gas and liquid in the appliance.
- Do not put flammable products or items that are wet with flammable products in, near or on the appliance.

- Do not touch the compressor or the condenser. They are hot.
- Do not remove or touch items from the freezer compartment if your hands are wet or damp.
- Do not freeze again food that has been thawed.
- Follow the storage instructions on the packaging of frozen food.
- Wrap the food in any food contact material before putting it in the freezer compartment.
- Do not allow food to come in contact with the inner walls of the appliance compartments.

### 2.4 Internal lighting

#### **WARNING!**

Risk of electric shock.

- This product contains one or more light sources of energy efficiency class F.
- Concerning the lamp(s) inside this product and spare part lamps sold separately: These lamps are intended to withstand extreme physical conditions in household appliances, such as temperature, vibration, humidity, or are intended to signal information about the operational status of the appliance. They are not intended to be used in other applications and are not suitable for household room illumination.

### 2.5 Care and cleaning

#### **WARNING!**

Risk of injury or damage to the appliance.

- Before maintenance, deactivate the appliance and disconnect the mains plug from the mains socket.
- This appliance contains hydrocarbons in the cooling unit. Only a qualified person must do the maintenance and the recharging of the unit.

### 2.6 Service

- To repair the appliance contact the Authorised Service Centre. Use only original spare parts.

- Please note that self-repair or non-professional repair can have safety consequences and might void the guarantee.
- The following spare parts are available for at least 7 years after the model has been discontinued: thermostats, temperature sensors, printed circuit boards, light sources, door handles, door hinges, trays and baskets. Door gaskets are available for at least 10 years after the model has been discontinued. The duration may be longer in your country. For further information, please visit our website.
- Please note that some of these spare parts are only available to professional repairers, and that not all spare parts are relevant for all models.

## 2.7 Disposal

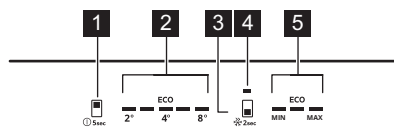


### WARNING!

Risk of injury or suffocation.

- Disconnect the appliance from the mains supply.
- Cut off the mains cable and discard it.
- Remove the door to prevent children and pets to be closed inside of the appliance.
- The refrigerant circuit and the insulation materials of this appliance are ozone-friendly.
- The insulation foam contains flammable gas. Contact your municipal authority for information on how to discard the appliance correctly.
- Do not cause damage to the part of the cooling unit that is near the heat exchanger.

## 3. CONTROL PANEL



- 1** Fridge compartment button / Appliance ON/OFF button
- 2** Fridge temperature indicators
- 3** Freezer compartment button  
Extra Freeze button
- 4** Extra Freeze indicator
- 5** Freezer temperature indicators

### 3.1 Switching on/off

#### Switching on

1. Insert the plug into the power socket.
2. Press and hold the appliance ON/OFF button.

Temperature indicators show the set default temperature.

#### Switching off

1. Press and hold the appliance ON/OFF button. Temperature indicators switch off.
2. Disconnect the mains plug from the power socket.

### 3.2 Temperature regulation



It is not possible to set the temperature when the Extra Freeze function is on.

Set the temperature of the appliance by tapping the fridge compartment button or the freezer compartment button.

Temperature indicators show the set temperature level.

The temperature range may vary between 2°C and 8°C (recommended 4°C).

The ECO indicator lights up when the recommended temperature is set.



The set temperature will be reached within 24 h.

After a power failure, the appliance restores the set temperatures.

### 3.3 Extra Freeze function

The Extra Freeze function is used to pre-freeze and fast freeze in sequence in the freezer compartment. This function accelerates the freezing of fresh food and protects foodstuffs already stored from warming.



To freeze fresh food activate the Extra Freeze function at least 24 h before placing the food.

To activate the Extra Freeze function press and hold the freezer compartment button. The Extra Freeze indicator lights up.



This function stops after a maximum 52 h.

To deactivate the function press the freezer compartment button. The Extra Freeze indicator switches off.

### 3.4 High temperature alarm

When the temperature in the freezer compartment increases, the first and third freezer temperature indicators flash and the sound is on.

To deactivate the alarm for 1 h, press any button. The sound switches off. The first and third freezer temperature indicators light steadily for 5 sec before indicating the freezer temperature again.

After 1 h the alarm restarts until normal conditions are restored.

If you do not press any button, the sound switches off after 1 h.

### 3.5 Door open alarm

If the fridge door is left open for approx. 5 min, fridge temperature indicators flash and the sound is on.

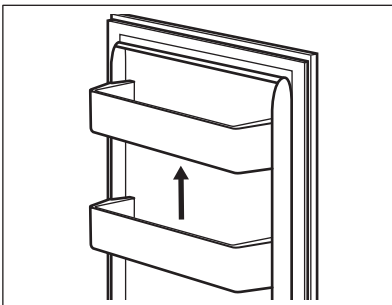
Press any button to switch off the sound. The sound switches off after 1 h.

The alarm deactivates after closing the door.

## 4. DAILY USE

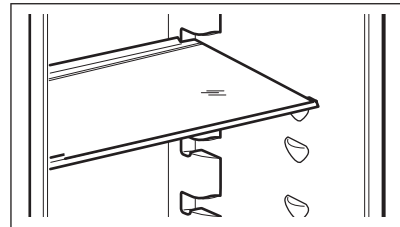
### 4.1 Positioning the door shelves

For easier storage of food, the door shelves can be placed at different heights. Pull the shelf up to reposition.



### 4.2 Movable shelves

The walls of the fridge are equipped with runners. You can change the position of the shelves.



Do not move the glass shelf above the vegetable drawer to ensure correct air circulation.



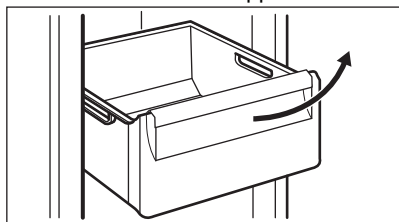
### 4.3 Vegetable drawer

There is a special drawer in the bottom part of the appliance suitable for storage of fruits and vegetables.

### 4.4 Removing drawers

To remove a drawer from a compartment:

1. Pull the drawer out until it stops.
2. Once you reach the end of the runners, lift slightly the front of the drawer and remove it from the appliance.



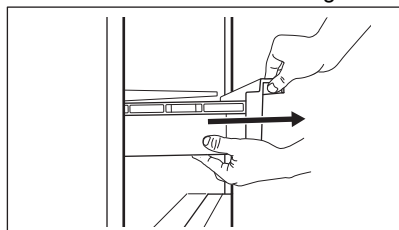
To put the drawer into a compartment, follow the above steps in reverse order.

### 4.5 Removing ExtraChill

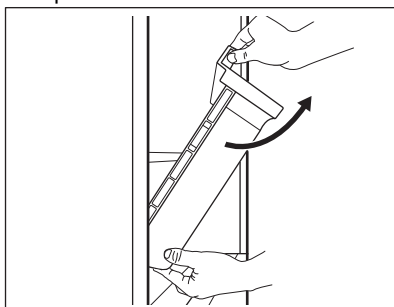
There is a drawer above the vegetable drawer.

To remove the drawer:

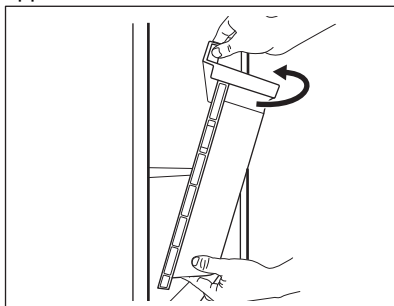
1. Pull out the drawer from the fridge.



2. Lift up the front of the drawer.

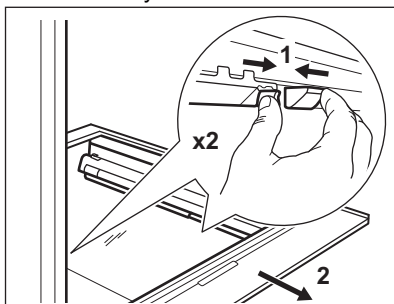


3. Lift and turn the drawer to pull it out of the appliance.



### 4.6 Removing the glass cover of the drawers

1. Unlock lateral gripping from both sides simultaneously.



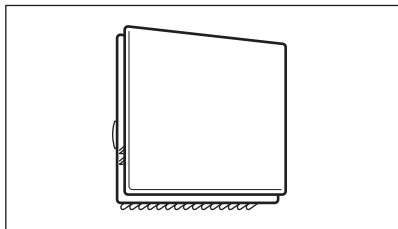
2. Pull the glass shelf support towards yourself.

### 4.7 MULTIFLOW

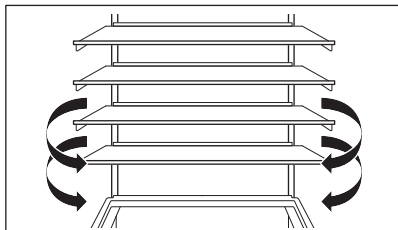
The fridge compartment is equipped with the MULTIFLOW fan that allows for rapid and

effective cooling of food, and keeps uniform temperature in the compartment.

The fan activates automatically and operates only when the door is closed.



Do not block the air vents.



Do not remove the MULTIFLOW panel. For cleaning instructions, refer to the "Care and cleaning" chapter.

## 4.8 Freezing fresh food

Use the freezer compartment for freezing fresh food and storing frozen and deep-frozen food for a long time.

Activate the Extra Freeze function at least 24 h before placing the food to be frozen in the freezer compartment.

Store the fresh food evenly distributed in the first compartment or drawer from the top.

Do not exceed the max. amount of food that can be frozen without adding other fresh food within 24 h (refer to the rating plate).

When the freezing process is complete, the appliance automatically returns to the previous temperature setting (see "Extra Freeze function").

For more information refer to "Hints for freezing".

## 4.9 Storage of frozen food

When activating the appliance for the first time or after a period out of use, activate the Extra Freeze function at least 3 h before putting the products in the freezing compartment.

To store large quantities of food, remove the drawers and place the food directly on the shelves, at least 15 mm away from the door.

### CAUTION!

If the power has been off for longer than the value shown on rating plate under "rising time", the defrosted food must be consumed immediately. Refer to "High temperature alarm".

# 5. HINTS AND TIPS

## 5.1 Hints for energy saving

- Freezer: The original configuration ensures the most efficient use of energy.
- Fridge: The configuration with the drawers in the bottom part of the appliance and shelves evenly distributed ensures the most efficient use of energy. Position of the door bins does not affect energy consumption.

- Do not open the door frequently or leave it open longer than necessary.
- Freezer: The colder the temperature setting, the higher the energy consumption.
- Fridge: Do not set too high temperature unless it is required by the characteristics of the food.
- If the ambient temperature is high and the temperature control is set to low temperature and the appliance is fully


loaded, the compressor may run continuously, causing frost or ice formation on the evaporator. In this case, set the temperature control toward higher temperature to allow automatic defrosting.

- Do not cover the ventilation grilles or holes.
- Ensure that food products inside the appliance allow air circulation through holes in the rear interior of the appliance.

## 5.2 Hints for freezing

- Do not freeze bottles or cans with liquids, in particular drinks containing carbon dioxide. They may explode during freezing.
- Do not put hot food in the freezer compartment.
- Do not place fresh unfrozen food directly next to already frozen food.
- Do not eat ice cubes, water ices or ice lollies immediately after taking them out of the freezer to avoid frostbites.
- Do not re-freeze defrosted food.

## 5.3 Hints for storage of frozen food


- Freezer compartment is marked with .
- Good temperature setting that ensures preservation of frozen food products is a temperature less than or equal to -18°C.
- Higher temperature setting inside the appliance may lead to shorter shelf life.
- The whole freezer compartment is suitable for storage of frozen food products.
- Leave enough space around the food to allow air to circulate freely.

## 5.4 Shelf life for freezer compartment

Type of food	Shelf life (months)
Bread	3
Fruits (except citrus)	6 - 12
Vegetables	8 - 10

Type of food	Shelf life (months)
Leftovers without meat	1 - 2
<b>Dairy food:</b>	
Butter	6 - 9
Soft cheese (e.g. mozzarella)	3 - 4
Hard cheese (e.g. parmesan, cheddar)	6
<b>Seafood:</b>	
Fatty fish (e.g. salmon, mackerel)	2 - 3
Lean fish (e.g. cod, flounder)	4 - 6
Shrimps	12
Shucked clams and mussels	3 - 4
Cooked fish	1 - 2
<b>Meat:</b>	
Poultry	9 - 12
Beef	6 - 12
Pork	4 - 6
Lamb	6 - 9
Sausage	1 - 2
Ham	1 - 2
Leftovers with meat	2 - 3

## 5.5 Hints for food refrigeration

- Fresh food compartment is marked with .
- Good temperature setting that ensures preservation of fresh food is a temperature less than or equal to +4°C.
- Always use closed containers for liquids and for food, to avoid flavours or odours in the compartment.
- To avoid the cross-contamination between cooked and raw food, cover the cooked food and separate it from the raw one.
- Wrap and place meat on the glass shelf above the vegetable drawer.
- Defrost the food inside the fridge.
- Do not insert hot food inside the appliance.
- Clean fruit and vegetables and place in a dedicated drawer (vegetable drawer).
- Do not keep exotic fruits in the fridge.
- Do not keep vegetables like tomatoes, potatoes, onions, and garlic in the fridge.
- Close the bottles before you put them into the fridge.

## 6. CARE AND CLEANING

### **WARNING!**

Refer to Safety chapters.

### 6.1 Cleaning the interior

Before first use clean the interior and all accessories with lukewarm water and neutral soap, then dry.

### **CAUTION!**

The accessories and parts of the appliance are not suitable for washing in a dishwasher.

### **CAUTION!**

Clean the control panel with a moist cloth. Do not use any detergents. Wipe the control panel dry with a soft cloth.

### 6.2 Periodic cleaning

Clean the equipment regularly:

- Clean the inside and accessories with lukewarm water and neutral soap. Rinse and wipe them dry.

- Wipe down the door seals regularly.

### 6.3 Defrosting of the refrigerator

Defrosting of the fridge compartment is automatic. The water that condenses flows into a recipient on the compressor and evaporates. The recipient cannot be removed.

### 6.4 Defrosting of the freezer

The freezer compartment is frost free. There is no build up frost on the internal walls nor on the foods, when the appliance is in operation.

### 6.5 Period of non-operation

When the appliance is not in use for long period, take the following precautions:

1. Disconnect the appliance from electricity supply.
2. Remove all food.
3. Clean the appliance and all accessories.
4. Leave the doors open to prevent unpleasant smells.

## 7. TROUBLESHOOTING

### **WARNING!**

Refer to Safety chapters.

### 7.1 What to do if...

Problem	Possible cause	Solution
The appliance does not operate.	The appliance is switched off.	Switch on the appliance.
	The mains plug is not connected to the mains socket correctly.	Connect the mains plug to the mains socket correctly.
	There is no voltage in the mains socket.	Connect a different electrical appliance to the mains socket. Contact a qualified electrician.
The appliance is noisy.	The appliance is not supported properly.	Check if the appliance stands stable.

<b>Problem</b>	<b>Possible cause</b>	<b>Solution</b>
Acoustic or visual alarm is on.	The cabinet has been recently switched on.	Refer to "High temperature alarm" or "Door open alarm".
	The temperature in the appliance is too high.	Refer to "High temperature alarm" or "Door open alarm".
The compressor operates continually.	The door is left open.	Close the door.
	Temperature is set incorrectly.	Refer to "Control panel" chapter.
	Too much food is put in at the same time.	Wait a few hours and then check the temperature again.
	The room temperature is too high.	Refer to "Installation" chapter.
	Food placed in the appliance is too warm.	Allow food to cool to room temperature before storing.
	The door is not closed correctly.	Refer to "Closing the door" section.
	The Extra Freeze function is switched on.	Refer to "Extra Freeze function" section.
The compressor does not start immediately after pressing the "Extra Freeze", or after changing the temperature.	The compressor starts after a period of time.	This is normal, no error has occurred.
Door is misaligned or interferes with ventilation grill.	The appliance is not levelled.	Refer to installation instructions.
Door does not open easily.	You attempted to re-open the door immediately after closing.	Wait a few seconds between closing and re-opening of the door.
The lamp does not work.	The lamp is in stand-by mode.	Close and open the door.
	The lamp is defective.	Contact the Authorized Service Centre.
There is too much frost and ice.	The door is not closed correctly.	Refer to "Closing the door" section.
	The gasket is deformed or dirty.	Refer to "Closing the door" section.
	Food is not wrapped properly.	Wrap the food properly.
	Temperature is set incorrectly.	Refer to "Control panel" chapter.
	Appliance is fully loaded and is set to the lowest temperature.	Set a higher temperature. Refer to "Control panel" chapter.
Water flows on the rear plate of the refrigerator.	Temperature set in the appliance is too low and the ambient temperature is too high.	Set a higher temperature. Refer to "Control panel" chapter.
	During the automatic defrosting process, frost melts on the rear plate.	This is correct.
	Door was opened too frequently.	Open the door only when necessary.
There is too much condensed water inside the fridge.	Door was opened too frequently.	Open the door only when necessary.

<b>Problem</b>	<b>Possible cause</b>	<b>Solution</b>
	Door was not closed completely.	Make sure the door is closed completely.
	Stored food was not wrapped.	Wrap food in suitable packaging before storing it in the appliance.
	This is normal that during summer and autumn more condensation can form due to the increased air and food humidity. Fridge does not produce any moisture. After this period, the humidity in the fridge decreases itself.	In summer and autumn, set the warmer temperature in the refrigerator (approx. 6-7°C).
There are water drops on the glass shelves.	There is too much moisture inside the fridge.	Wipe the glass shelves with a cloth to remove water drops.
Water flows on the floor.	The melting water outlet is not connected to the evaporative tray above the compressor.	Attach the melting water outlet to the evaporative tray.
Temperature cannot be set.	The Extra Freeze function is switched on.	Switch off Extra Freeze function manually, or wait until it deactivates automatically. Refer to "Extra Freeze function" section.
The temperature in the appliance is too low/too high.	The temperature is not set correctly.	Set a higher/lower temperature.
	The door is not closed correctly.	Refer to the "Closing the door" section.
	The food is too hot.	Let the food cool down before storage.
	Too much food is stored at the same time.	Store less food at the same time.
	The door has been opened often.	Open the door only if necessary.
	The Extra Freeze function is switched on.	Refer to the "Extra Freeze function" section.
	There is no cold air circulation in the appliance.	Ensure cold air circulation in the appliance. Refer to the "Hints and tips" chapter.
Fifth temperature indicator blinks.	Communication problem.	Contact the Authorised Service Centre. The cooling system will continue to keep food cold, but temperature adjustment will not be possible.
First or second temperature indicator blinks.	Temperature sensor problem.	Contact the Authorised Service Centre. The cooling system will continue to keep food cold, but temperature adjustment will not be possible.



If the problem persists, contact the Authorized Service Centre.

## 7.2 Replacing the lamp

For replacing the lamp, contact the Authorized Service Centre.

## 7.3 Closing the door

1. Clean the door gaskets.
2. To adjust the door, refer to installation instructions.
3. To replace the defective door gaskets, contact the Authorized Service Centre.

# 8. TECHNICAL DATA

The technical information is situated in the rating plate on the internal side of the appliance and on the energy label.

The QR code on the energy label supplied with the appliance provides a web link to the information related to the performance of the appliance in the EU EPREL database. Keep the energy label for reference together with the user manual and all other documents provided with this appliance.

It is also possible to find the same information in EPREL using the link

<https://eprel.ec.europa.eu> and the model name and product number that you find on the rating plate of the appliance.


See the link [www.theenergylabel.eu](http://www.theenergylabel.eu) for detailed information about the energy label.


# 9. INFORMATION FOR TEST INSTITUTES

Installation and preparation of the appliance for any EcoDesign verification shall be compliant with EN 62552 (EU). Ventilation requirements, recess dimensions and minimum rear clearances shall be as stated

in this User Manual in "Installation". Please contact the manufacturer for any other further information, including loading plans.

# 10. ENVIRONMENTAL CONCERNS

Recycle materials with the symbol . Put the packaging in relevant containers to recycle it. Help protect the environment and human health by recycling waste of electrical and electronic appliances. Do not dispose of

appliances marked with the symbol  with the household waste. Return the product to your local recycling facility or contact your municipal office.

# Bienvenue chez Electrolux ! Nous vous remercions d'avoir choisi l'un de nos appareils.



Obtenir des conseils d'utilisation, des brochures, un dépanneur, des informations sur le service et les réparations :  
[www.electrolux.com/support](http://www.electrolux.com/support)

Sous réserve de modifications.

## TABLE DES MATIÈRES

1. INFORMATIONS DE SÉCURITÉ.....	16
2. CONSIGNES DE SÉCURITÉ.....	18
3. BANDEAU DE COMMANDE.....	21
4. UTILISATION QUOTIDIENNE.....	22
5. CONSEILS.....	24
6. ENTRETIEN ET NETTOYAGE.....	26
7. DÉPANNAGE.....	26
8. DONNÉES TECHNIQUES.....	29
9. IINFORMATIONS POUR LES LABORATOIRES D'ESSAIS.....	29
10. EN MATIÈRE DE PROTECTION DE L'ENVIRONNEMENT.....	30

## 1. ⚠ INFORMATIONS DE SÉCURITÉ

Avant d'installer et d'utiliser cet appareil, lisez soigneusement les instructions fournies. Le fabricant ne pourra être tenu pour responsable des blessures et dégâts résultant d'une mauvaise installation ou utilisation. Conservez toujours les instructions dans un lieu sûr et accessible pour vous y référer ultérieurement.

### 1.1 Sécurité des enfants et des personnes vulnérables

- Cet appareil peut être utilisé par des enfants âgés d'au moins 8 ans et par des personnes ayant des capacités physiques, sensorielles ou mentales réduites ou dénuées d'expérience ou de connaissance, s'ils sont correctement surveillés ou si des instructions relatives à l'utilisation de l'appareil en toute sécurité leur ont été données et s'ils comprennent les risques encourus. Les enfants de 3 à 8 ans et les personnes atteintes de handicaps graves ou



très lourds peuvent charger et décharger l'appareil à condition qu'ils aient reçu des instructions appropriées. Les enfants de moins de 3 ans doivent être tenus à l'écart de l'appareil, à moins d'être surveillés en permanence.

- Veillez à ce que les enfants ne jouent pas avec l'appareil.
- Le nettoyage et l'entretien par l'utilisateur ne doivent pas être effectués par des enfants sans surveillance.
- Ne laissez pas les emballages à la portée des enfants et jetez-les convenablement.

## **1.2 Sécurité générale**

- Cet appareil sert uniquement à stocker des aliments et des boissons.
- Cet appareil est conçu pour un usage domestique ménager, dans un environnement intérieur.
- Cet appareil peut être utilisé dans les bureaux, les chambres d'hôtel, les chambres d'hôtes, les maisons d'hôtes de ferme et d'autres hébergements similaires lorsque cette utilisation ne dépasse pas le niveau (moyen) de l'utilisation domestique.
- Pour éviter la contamination des aliments, respectez les instructions suivantes :
  - n'ouvrez pas la porte pendant de longues durées ;
  - nettoyez régulièrement les surfaces pouvant être en contact avec les aliments et les systèmes d'évacuation accessibles ;
  - conservez la viande et le poisson crus dans des récipients appropriés dans le réfrigérateur, afin qu'ils ne soient pas en contact ou ne coulent pas sur d'autres aliments.
- **AVERTISSEMENT** : Veillez à ce que les orifices de ventilation situés dans l'enceinte de l'appareil ou la structure intégrée ne soient pas obstrués.
- **AVERTISSEMENT** : N'utilisez aucun dispositif mécanique ou autre pour accélérer le processus de dégivrage, outre ceux recommandés par le fabricant.

- **AVERTISSEMENT** : Veillez à ne pas endommager le circuit réfrigérant.
- **AVERTISSEMENT** : N'utilisez pas d'appareils électriques à l'intérieur des compartiments de conservation des aliments de l'appareil, sauf s'ils sont du type recommandé par le fabricant.
- Ne pulvérisez pas d'eau ni de vapeur pour nettoyer l'appareil.
- Nettoyez l'appareil avec un chiffon doux et humide. Utilisez uniquement des produits de lavage neutres. N'utilisez pas de produits abrasifs, de tampons à récurer, de solvants ou d'objets métalliques.
- Si l'appareil est vide pendant une longue durée, éteignez-le, dégivrez-le, nettoyez-le, séchez-le et laissez la porte ouverte pour empêcher le développement de moisissure dans l'appareil.
- Ne conservez aucune substance explosive dans cet appareil, comme des aérosols contenant un produit inflammable.
- Si le câble d'alimentation est endommagé, il doit être remplacé par le fabricant, son service après-vente ou par un professionnel qualifié afin d'éviter un danger.

## 2. CONSIGNES DE SÉCURITÉ

### 2.1 Installation

#### **AVERTISSEMENT!**

L'appareil doit être installé uniquement par un professionnel qualifié.

- Retirez l'intégralité de l'emballage.
- N'installez pas et ne branchez pas un appareil endommagé.
- Pour des raisons de sécurité, n'utilisez pas l'appareil avant de l'avoir installé dans la structure encadrée.
- Suivez les instructions séparées pour l'installation de l'appareil et l'inversion de la porte disponibles sur notre site Web.
- Soyez toujours vigilants lorsque vous déplacez l'appareil car il est lourd. Utilisez

toujours des gants de sécurité et des chaussures fermées.

- Assurez-vous que l'air puisse circuler autour de l'appareil.
- Lors de la première installation ou après avoir inversé la porte, attendez au moins 4 heures avant de brancher l'appareil sur le secteur. Cela permet à l'huile de refouler dans le compresseur.
- Avant toute opération sur l'appareil (par ex. inversion de la porte), débranchez la fiche de la prise de courant.
- N'installez pas l'appareil à proximité d'un radiateur ou d'une cuisinière, d'un four ou d'une table de cuisson, sauf indication contraire dans les instructions d'installation.

- N'exposez pas l'appareil à la pluie.
- N'installez pas l'appareil dans un endroit exposé à la lumière directe du soleil.
- N'installez pas l'appareil dans une pièce trop humide ou trop froide.
- Lorsque vous déplacez l'appareil, veillez à le soulever par l'avant pour éviter d'érafler le sol.
- Protégez le sol des rayures lorsque vous inversez la porte de l'appareil.
- Cet appareil contient un sachet déshydratant. Ceci n'est pas un jouet. Ceci n'est pas un aliment. Veuillez le jeter immédiatement.

## 2.2 Branchement électrique

### **AVERTISSEMENT!**

Risque d'incendie ou d'électrocution.

### **AVERTISSEMENT!**

Lorsque vous installez l'appareil, assurez-vous que le câble d'alimentation n'est pas coincé ou endommagé.

### **AVERTISSEMENT!**

N'utilisez pas d'adaptateurs multiprises et de rallonges.

- Assurez-vous que les paramètres figurant sur la plaque signalétique correspondent aux données électriques nominale de l'alimentation secteur.
- L'appareil doit être relié à la terre.
- Utilisez toujours une prise de courant de sécurité correctement installée.
- Si la prise d'alimentation électrique domestique n'est pas reliée à la terre, branchez l'appareil à une prise de terre séparée conformément aux réglementations en vigueur, en vous adressant à un électricien qualifié.
- Veillez à ne pas endommager les composants électriques (comme par exemple, la fiche secteur, le câble d'alimentation ou le compresseur). Contactez le service après-vente agréé ou un électricien pour changer les composants électriques.
- Le câble d'alimentation doit rester au-dessous du niveau de la prise secteur.

- Ne branchez la fiche secteur dans la prise secteur qu'à la fin de l'installation. Assurez-vous que la prise secteur est accessible après l'installation.
- Ne tirez pas sur le câble secteur pour débrancher l'appareil. Tirez toujours sur la fiche de la prise secteur.

## 2.3 Utilisation

### **AVERTISSEMENT!**

Risque de blessures, de brûlures, d'électrocution ou d'incendie.



L'appareil contient un gaz inflammable, l'isobutane (R600a), un gaz naturel ayant un niveau élevé de compatibilité environnementale. Veillez à ne pas endommager le circuit frigorifique contenant de l'isobutane.

- Ne modifiez pas les spécifications de cet appareil.
- Toute utilisation du produit intégré en tant que produit autonome est strictement interdite.
- Cet appareil est destiné à être utilisé à une température ambiante comprise entre 10°C et 38°C. Le fonctionnement correct de l'appareil ne peut être garanti que dans la plage de température spécifiée.
- Ne placez aucun appareil électrique (comme par exemple, une sorbetière) dans l'appareil si cela n'est pas autorisé par le fabricant.
- Si le circuit frigorifique est endommagé, assurez-vous de l'absence de flammes et de sources d'ignition dans la pièce. Aérez la pièce.
- Évitez tout contact d'éléments chauds avec les parties en plastique de l'appareil.
- Ne placez jamais de boissons gazeuses dans le congélateur. Cela engendrerait une pression sur le récipient de la boisson.
- Ne stockez jamais de gaz ou de liquide inflammable dans l'appareil.
- Ne placez pas de produits inflammables ou d'éléments imbibés de produits inflammables à l'intérieur, à proximité ou au-dessus de l'appareil.

- Ne touchez ni le compresseur, ni le condenseur. Ils sont chauds.
- Ne retirez pas et ne touchez pas les éléments du compartiment congélateur avec les mains mouillées.
- Ne recongelez jamais un aliment qui a été décongelé.
- Respectez les instructions de stockage figurant sur l'emballage des aliments surgelés.
- Emballez les aliments dans un emballage adapté au contact avec des aliments avant de les placer dans le compartiment congélateur.
- Ne laissez pas les aliments entrer en contact avec les parois intérieures des compartiments de l'appareil.

## 2.4 Éclairage interne

### **AVERTISSEMENT!**

Risque d'électrocution.

- Ce produit contient une ou plusieurs sources lumineuses de classe d'efficacité énergétique F.
- Concernant la/les lampe(s) à l'intérieur de ce produit et les lampes de rechange vendues séparément : Ces lampes sont conçues pour résister à des conditions physiques extrêmes dans les appareils électroménagers, telles que la température, les vibrations, l'humidité, ou sont conçues pour signaler des informations sur le statut opérationnel de l'appareil. Elles ne sont pas destinées à être utilisées dans d'autres applications et ne conviennent pas à l'éclairage des pièces d'un logement.

## 2.5 Entretien et nettoyage

### **AVERTISSEMENT!**

Risque de blessure ou de dommages matériels.

- Avant toute opération d'entretien, désactivez l'appareil et débranchez la fiche secteur.
- Cet appareil contient des hydrocarbures dans son circuit de réfrigération. L'entretien et la recharge de l'unité doivent

être effectués par un professionnel qualifié.

## 2.6 Service

- Pour réparer l'appareil, contactez le service après-vente agréé. Utilisez uniquement des pièces de rechange d'origine.
- Veuillez noter qu'une autoréparation ou une réparation non professionnelle peuvent avoir des conséquences sur la sécurité et annuler la garantie.
- Les pièces détachées suivantes sont disponibles pendant au moins 7 ans après l'arrêt du modèle : thermostats, capteurs de température, cartes circuits imprimées, sources lumineuses, poignées de portes, charnières de portes, plaques et balconnets. Les joints de porte sont disponibles pendant au moins 10 ans après l'arrêt du modèle. Cette durée peut être plus longue dans certains pays. Pour plus d'informations, rendez-vous sur notre site internet.
- Veuillez noter que certaines de ces pièces détachées ne sont disponibles qu'auprès de réparateurs professionnels et que toutes les pièces détachées ne sont pas adaptées à tous les modèles.

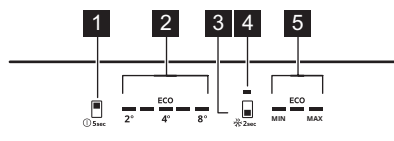
## 2.7 Mise au rebut

### **AVERTISSEMENT!**

Risque de blessure ou d'asphyxie.

- Débranchez l'appareil de l'alimentation électrique.
- Coupez le câble d'alimentation et mettez-le au rebut.
- Retirez la porte pour empêcher les enfants et les animaux de s'enfermer dans l'appareil.
- Le circuit frigorifique et les matériaux d'isolation de cet appareil préservent la couche d'ozone.
- La mousse isolante contient un gaz inflammable. Contactez votre service municipal pour obtenir des informations sur la marche à suivre pour mettre l'appareil au rebut.
- N'endommagez pas la partie du circuit de réfrigération située à proximité du condenseur thermique.

## 3. BANDEAU DE COMMANDE



- 1 Touche du compartiment réfrigérateur / Touche MARCHE/ARRÊT de l'appareil
- 2 Voyants de température du réfrigérateur
- 3 Touche du compartiment congélateur / Touche Extra Freeze
- 4 Voyant Extra Freeze
- 5 Voyants de température du congélateur

### 3.1 Mise en marche/arrêt

#### Activation

1. Insérez la fiche dans la prise secteur.
2. Appuyez sur le bouton MARCHE/ARRÊT de l'appareil et maintenez-le enfoncée.

Les voyants de température affichent la température réglée par défaut.

#### Désactivation

1. Appuyez sur le bouton MARCHE/ARRÊT de l'appareil et maintenez-le enfoncée. Les voyants de température s'éteignent.
2. Débranchez la fiche d'alimentation de la prise secteur.

### 3.2 Réglage de la température



Il n'est pas possible de régler la température lorsque la fonction Extra Freeze est activée.

Réglez la température de l'appareil en appuyant sur la touche du compartiment réfrigérateur ou sur la touche du compartiment congélateur.

Les voyants de température affichent la température réglée.

La plage de température varie entre 2°C et 8°C (recommandé 4°C).

Le voyant ECO s'allume lorsque la température recommandée est réglée.



La température réglée sera atteinte dans 24 h. Après une coupure de courant, l'appareil rétablit les températures réglées.

### 3.3 Extra Freeze fonction

La fonction Extra Freeze permet d'effectuer successivement la précongélation et la congélation rapide dans le compartiment congélateur. Cette fonction accélère la congélation des aliments frais et protège les denrées déjà entreposées du réchauffement.



Pour congeler des aliments frais, activez la fonction Extra Freeze au moins 24 h avant de placer les aliments dans l'appareil.

Pour activer la fonction Extra Freeze, maintenez enfoncée la touche du compartiment congélateur. Le voyant Extra Freeze s'allume.



Cette fonction s'arrête après un maximum de 52h

Pour désactiver la fonction en appuyant sur le bouton de compartiment de congélation. Le voyant Extra Freeze s'éteint.

### 3.4 Alarme haute température

En cas d'augmentation de la température dans le compartiment de congélation, les premier et troisième voyants de température du congélateur clignotent et le signal sonore s'allume.

Pour désactiver l'alarme pendant 1 h, appuyez sur n'importe quel bouton. Le son se coupe. Les premier et troisième voyants de température du congélateur s'allument fixes pendant 5 sec avant d'indiquer à nouveau la température du congélateur.

Après 1 h, l'alarme redémarre jusqu'à ce que les conditions normales soient rétablies.

Si vous n'appuyez sur aucun bouton, le signal sonore s'éteint après environ 1 h.

### 3.5 Alarme porte ouverte

Si la porte du réfrigérateur reste ouverte pendant environ 5 min, les voyants de

température du réfrigérateur clignotent et le signal sonore retentit.

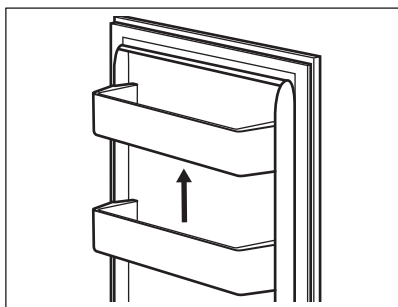
Appuyez sur n'importe quel bouton pour désactiver le signal sonore. Le son se coupe après 1 h.

L'alarme se désactive dès que vous refermez la porte.

## 4. UTILISATION QUOTIDIENNE

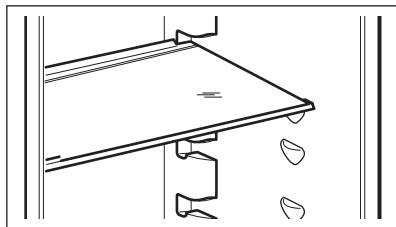
### 4.1 Positionnement des étagères de porte

Pour faciliter le rangement des aliments, les étagères de porte peuvent être placées à différentes hauteurs. Tirez l'étagère vers le haut pour la repositionner.



### 4.2 Clayettes amovibles

Les parois du réfrigérateur sont équipées de glissières. Vous pouvez modifier la position des étagères.



Ne modifiez pas l'emplacement de la clayette en verre située au-dessus du bac à légumes, afin de garantir une circulation d'air optimale.

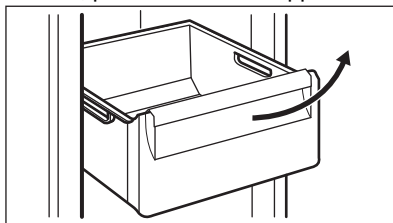
### 4.3 Bac à légumes

Un bac spécial est présent dans la partie inférieure de l'appareil, adapté à la conservation des fruits et des légumes.

### 4.4 Retrait des bacs

Pour retirer un bac d'un compartiment :

1. Tirez le bac jusqu'à la butée.
2. Après avoir atteint l'extrémité des glissières, soulevez légèrement l'avant du bac, puis sortez-le de l'appareil.



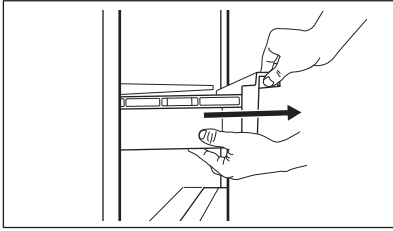
Pour remettre le bac en place dans le compartiment, suivez les étapes ci-dessus dans l'ordre inverse.

### 4.5 Retrait ExtraChill

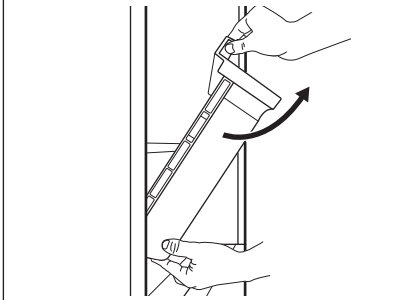
Un bac se trouve au-dessus du bac à légumes.

Pour sortir le bac :

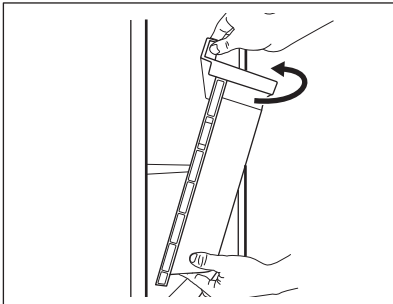
1. Tirez le bac hors du réfrigérateur.



2. Soulevez légèrement l'avant du bac.

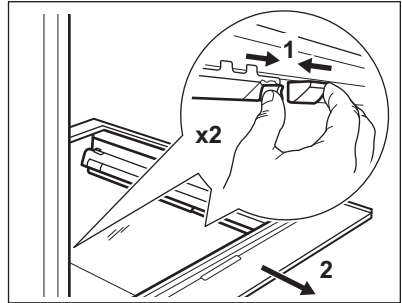


3. Soulevez et tournez le bac pour le sortir de l'appareil.



#### 4.6 Retirer le couvercle en verre des bacs

1. Déverrouiller simultanément la fixation latérale des deux côtés.

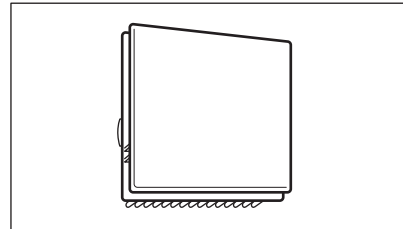


2. Tirez le support de la clayette en verre vers vous.

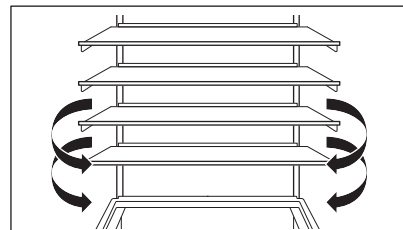
#### 4.7 MULTIFLOW

Le réfrigérateur est équipé d'un MULTIFLOW ventilateur qui permet le refroidissement rapide et efficace des aliments et maintient une température homogène dans le compartiment.

Le ventilateur se met en marche automatiquement et ne fonctionne que lorsque la porte est fermée.



Ne bloquez pas les orifices d'aération.





Ne retirez pas le panneau MULTIFLOW. Pour les instructions de nettoyage, reportez-vous au chapitre « Entretien et nettoyage ».

## 4.8 Congeler des aliments frais

Utilisez le compartiment de congélation pour congeler des denrées fraîches et conserver à long terme des plats surgelés ou congelés.

Activez la fonction Extra Freeze au moins 24 h heures avant de placer les aliments à conserver dans le compartiment de congélation.

Conservez les aliments frais répartis uniformément dans le premier compartiment ou le premier bac en partant du haut.

Ne dépassez pas la quantité maximale d'aliments pouvant être congelés sans ajouter d'autres aliments frais à l'intérieur 24 h (reportez-vous à la plaque signalétique).

Une fois le processus de congélation terminé, l'appareil revient automatiquement au réglage

de température précédent (voir « fonctionExtra Freeze »).

Pour plus d'informations, reportez-vous au chapitre « Conseils pour la congélation ».

## 4.9 Conservation des plats surgelés

Lors de la mise en service initiale de l'appareil ou après un arrêt prolongé, laissez-le en Extra Freezemarche au moins 3h avant d'introduire les produits dans le congélateur.

Pour ranger de grandes quantités d'aliments, sortez les tiroirs et placez les aliments directement sur les étagères, à distance d'au moins 15 mm de la porte.

### ATTENTION!

Si l'alimentation a été coupée pendant plus longtemps que la valeur indiquée sur la plaque signalétique sous « Temps de montée », les aliments décongelés doivent être consommés immédiatement. Reportez-vous à la section « Alarme haute température ».

## 5. CONSEILS

### 5.1 Conseils pour économiser l'énergie

- Congélateur : La configuration d'origine garantit l'utilisation la plus efficace de l'énergie.
- Réfrigérateur : L'utilisation la plus efficace de l'énergie est assurée dans la configuration avec les bacs dans la partie inférieure de l'appareil et les clayettes réparties uniformément. La position des compartiments de porte n'affecte pas la consommation d'énergie.
- Évitez d'ouvrir fréquemment la porte et ne la laissez ouverte que le temps nécessaire.
- Congélateur : Plus le réglage de la température est bas, plus la consommation électrique est élevée.
- Réfrigérateur : Ne réglez pas une température trop élevée, sauf si cela est requis par les caractéristiques des aliments.

- Si la température ambiante est élevée, que le thermostat est réglé sur une température basse et que l'appareil est plein, le compresseur fonctionne en régime continu, ce qui provoque une formation de givre ou de glace sur l'évaporateur. Dans ce cas, réglez le thermostat sur une température plus élevée pour permettre le dégivrage automatique.
- Ne couvrez pas les grilles ou les orifices de ventilation.
- Assurez-vous que les produits alimentaires à l'intérieur de l'appareil permettent la circulation de l'air par les orifices à l'arrière de l'intérieur de l'appareil.

### 5.2 Conseils pour la congélation


- Ne congelez pas des bouteilles ou des canettes avec des liquides, en particulier des boissons contenant du dioxyde de



carbone. Elles pourraient exploser pendant la congélation.

- Ne placez pas d'aliments chauds dans le compartiment congélateur.
- Ne placez pas d'aliments frais non congelés directement à côté d'aliments déjà congelés.
- Ne mangez pas les glaçons, les glaces à l'eau ou les bâtonnets glacés dès leur sortie du congélateur. Vous risquez des gelures.
- Ne recongelez pas des aliments décongelés.

### 5.3 Conseils pour le stockage des plats surgelés

- Le compartiment congélateur est marqué .
- Un bon réglage de température qui garantit la conservation des produits alimentaires congelés est une température inférieure ou égale à -18 °C.
- Un réglage de température plus élevé à l'intérieur de l'appareil peut entraîner une durée de conservation plus courte.
- L'ensemble du compartiment du congélateur est adapté à la conservation de produits alimentaires congelés.
- Laissez suffisamment d'espace autour des aliments pour permettre à l'air de circuler librement.

### 5.4 Durée de conservation pour le compartiment du congélateur

Type d'aliment	Durée de conservation (mois)
Pain	3
Fruits (sauf agrumes)	6 - 12
Légumes	8 - 10
Restes (sans viande)	1 - 2
<b>Produits laitiers :</b>	
Beurre	6 - 9
Fromage à pâte molle (p. ex., mozzarella)	3 - 4
Fromage à pâte dure (p. ex., parmesan, cheddar)	6
<b>Fruits de mer :</b>	


Type d'aliment	Durée de conservation (mois)
----------------	------------------------------

Poisson gras (p. ex., saumon, maquereau)	2 - 3
Poisson maigre (p. ex., cabillaud, limande)	4 - 6
Crevettes	12
Palourdes et moules décortiquées	3 - 4
Poisson cuit	1 - 2

#### Viande :

Volaille	9 - 12
Bœuf	6 - 12
Porc	4 - 6
Agneau	6 - 9
Saucisse	1 - 2
Jambon	1 - 2
Restes (avec viande)	2 - 3

### 5.5 Conseils pour la réfrigération des aliments

- Le compartiment des aliments frais est indiqué par .
- Un bon réglage de température qui garantit la conservation des aliments frais est une température inférieure ou égale à +4 °C.
- Utilisez toujours des récipients fermés pour les liquides et les aliments afin d'éviter les saveurs ou les odeurs dans le compartiment.
- Pour éviter la contamination croisée entre les aliments cuits et les aliments crus, couvrez les aliments cuits et séparez-les des aliments crus.
- Enveloppez et placez la viande sur la clayette en verre au-dessus du bac à légumes.
- Décongelez les aliments à l'intérieur du réfrigérateur.
- N'insérez pas d'aliments chauds dans l'appareil.
- Nettoyez les fruits et légumes et placez-les dans un bac dédié (bac à légumes).
- Ne conservez pas les fruits exotiques au réfrigérateur.
- Ne conservez pas au réfrigérateur les légumes tels que les tomates, les pommes de terre, les oignons et l'ail.
- Fermez les bouteilles avant de les mettre au réfrigérateur.

## 6. ENTRETIEN ET NETTOYAGE

### AVERTISSEMENT!

Reportez-vous aux chapitres relatifs à la Sécurité.

### 6.1 Nettoyage de l'intérieur

Avant la première utilisation, nettoyez l'intérieur et tous les accessoires à l'eau tiède et au savon neutre, puis séchez.

### ATTENTION!

Les accessoires et parties de l'appareil ne sont pas adaptés au lavage au lave-vaisselle.

### ATTENTION!

Nettoyez le bandeau de commande avec un chiffon humide. N'utilisez aucun produit détergent. Essayez le bandeau de commande avec un chiffon doux.

### 6.2 Nettoyage périodique

Nettoyez régulièrement l'équipement :

- Nettoyez l'intérieur et les accessoires à l'eau tiède et au savon neutre. Rincez-les et essuyez-les.
- Essuyez régulièrement les joints de la porte.

### 6.3 Dégivrage du réfrigérateur

Le dégivrage du compartiment réfrigérateur est automatique. L'eau qui se condense s'écoule vers un réservoir situé sur le compresseur puis s'évapore. Le réservoir ne peut pas être retiré.

### 6.4 Décongélation du congélateur

Le compartiment congélateur est exempt de givre. Il n'y a pas d'accumulation de givre sur les parois internes ni sur les aliments lorsque l'appareil est en marche.

### 6.5 Période de non-utilisation

Si l'appareil n'est pas utilisé pendant une longue période, prenez les précautions suivantes :

1. Débranchez l'appareil de l'alimentation électrique.
2. Retirez tous les aliments.
3. Nettoyez l'appareil et tous ses accessoires.
4. Laissez les portes ouvertes pour éviter les mauvaises odeurs.

## 7. DÉPANNAGE

### AVERTISSEMENT!

Reportez-vous aux chapitres relatifs à la Sécurité.

### 7.1 Que faire si...

Problème	Cause probable	Solution
L'appareil ne fonctionne pas.	L'appareil est à l'arrêt.	Mettez l'appareil en fonctionnement.
	La fiche d'alimentation n'est pas correctement branchée à la prise de courant.	Branchez la fiche secteur sur la prise de courant.

<b>Problème</b>	<b>Cause probable</b>	<b>Solution</b>
	Il n'y a pas de tension dans la prise de courant.	Branchez un autre appareil sur la prise de courant. Contactez un électricien qualifié.
L'appareil est bruyant.	L'appareil n'est pas positionné correctement.	Vérifiez que l'appareil est stable.
Les signaux sonores ou visuels sont activés.	Le meuble a été allumé récemment.	Reportez-vous à « Alarme haute température » ou à « Alarme porte ouverte ».
	La température à l'intérieur de l'appareil est trop élevée.	Reportez-vous à « Alarme haute température » ou à « Alarme porte ouverte ».
	La porte est laissée ouverte.	Refermez la porte.
Le compresseur fonctionne en permanence.	La température est mal réglée.	Reportez-vous au chapitre « Bande de commande ».
	Trop d'aliments sont placés en même temps.	Attendez quelques heures et vérifiez de nouveau la température.
	La température ambiante est trop élevée.	Reportez-vous au chapitre « Installation ».
	Les aliments placés dans l'appareil étaient trop chauds.	Laissez refroidir les produits à température ambiante avant de les ranger.
	La porte n'est pas correctement fermée.	Reportez-vous à la section « Fermeture de la porte ».
	La fonction Extra Freeze est activée.	Consultez le paragraphe « Fonction Extra Freeze ».
Le compresseur ne démarre pas immédiatement après avoir appuyé sur la touche « Extra Freeze », ou après avoir modifié la température.	Le compresseur démarre au bout d'un certain temps.	C'est normal, aucune erreur n'est survenue.
La porte est mal alignée ou interfère avec le gril de ventilation.	L'appareil n'est pas d'aplomb.	Consultez les instructions d'installation.
La porte est difficile à ouvrir.	Vous avez essayé de rouvrir la porte immédiatement après l'avoir fermée.	Attendez quelques secondes après avoir fermé la porte pour la rouvrir.
L'éclairage ne fonctionne pas.	L'éclairage est en mode veille.	Fermez et ouvrez la porte.
	L'éclairage est défectueux.	Veillez contacter le service après-vente agréé.
Il y a trop de givre et de glace.	La porte n'est pas correctement fermée.	Reportez-vous à la section « Fermeture de la porte ».
	Le joint est déformé ou sale.	Reportez-vous à la section « Fermeture de la porte ».
	Les aliments ne sont pas emballés correctement.	Emballer correctement les aliments.

<b>Problème</b>	<b>Cause probable</b>	<b>Solution</b>
	La température est mal réglée.	Reportez-vous au chapitre « Bandeau de commande ».
	L'appareil est complètement chargé et réglé sur la température la plus basse.	Sélectionnez une température plus élevée. Reportez-vous au chapitre « Bandeau de commande ».
	La température réglée dans l'appareil est trop basse et la température ambiante est trop élevée.	Sélectionnez une température plus élevée. Reportez-vous au chapitre « Bandeau de commande ».
De l'eau s'écoule sur la plaque arrière du réfrigérateur.	Pendant le dégivrage automatique, le givre fond sur la plaque arrière.	C'est normal.
Trop d'eau s'est condensée à l'intérieur du réfrigérateur.	La porte a été ouverte trop fréquemment.	N'ouvrez la porte qu'en cas de nécessité.
	La porte n'est pas entièrement fermée.	Assurez-vous que la porte est entièrement fermée.
	Les aliments conservés ne sont pas emballés.	Enveloppez les aliments dans un emballage adapté avant de les ranger dans l'appareil.
	Il est normal que pendant l'été et l'automne, plus de condensation puisse se former en raison de l'augmentation de l'humidité de l'air et des aliments. Le réfrigérateur ne produit pas d'humidité. Après cette période, l'humidité du réfrigérateur diminue d'elle-même.	En été et en automne, réglez la température plus chaude au réfrigérateur (environ 6 à 7 °C).
Il y a des gouttes d'eau sur les étagères en verre.	Il y a trop d'humidité à l'intérieur du réfrigérateur.	Essuyez les étagères en verre avec un chiffon pour retirer les gouttes d'eau.
De l'eau s'écoule sur le sol.	La sortie d'eau de dégivrage n'est pas raccordée au bac d'évaporation situé au-dessus du compresseur.	Fixez la sortie de l'eau de dégivrage au plateau d'évaporation.
La température ne peut pas être réglée.	La fonction Extra Freeze est activée.	Éteignez la fonction Extra Freeze manuellement, ou attendez que la fonction se désactive automatiquement. Reportez-vous au paragraphe « Extra FreezeFonction ».
La température à l'intérieur de l'appareil est trop basse/élevée.	La température n'est pas réglée correctement.	Sélectionnez une température plus élevée/plus basse.
	La porte n'est pas correctement fermée.	Reportez-vous à la section « Fermeture de la porte ».
	Les aliments sont trop chauds.	Laissez les aliments refroidir avant de les ranger.
	Trop d'aliments sont stockés en même temps.	Conservez moins d'aliments en même temps.
	La porte a été ouverte souvent.	N'ouvrez la porte que si nécessaire.

Problème	Cause probable	Solution
	La fonction Extra Freeze est activée.	Consultez le paragraphe « Fonction Extra Freeze ».
	L'air froid ne circule pas dans l'appareil.	Assurez-vous que l'air froid circule dans l'appareil. Reportez-vous au chapitre « Conseils ».
Le cinquième voyant de température clignote.	Problème de communication	Veillez contacter le service après-vente agréé. Le système de refroidissement continue de maintenir les aliments au frais, mais le réglage de la température n'est pas possible.
Le premier ou le deuxième voyant de température clignote.	Problème de capteur de température.	Veillez contacter le service après-vente agréé. Le système de refroidissement continue de maintenir les aliments au frais, mais le réglage de la température n'est pas possible.



Si le problème persiste, contactez le service après-vente agréé.

## 7.2 Remplacement de l'ampoule

Pour remplacer la lampe, contactez le service après-vente agréé.

## 7.3 Fermeture de la porte

1. Nettoyer les joints de porte.
2. Pour régler la porte, reportez-vous aux instructions d'installation.
3. Pour remplacer les joints de porte défectueux, contactez le service après-vente agréé.

## 8. DONNÉES TECHNIQUES

Les caractéristiques techniques figurent sur la plaque signalétique située sur l'intérieur de l'appareil et sur l'étiquette énergétique.

Le code QR présent sur l'étiquette énergétique fournie avec l'appareil contient un lien Web vers les informations relatives aux performances de l'appareil dans la base de données EPREL de l'UE. Conservez l'étiquette énergétique à titre de référence avec la notice d'utilisation et tous les autres documents fournis avec cet appareil.

Il est également possible de trouver les mêmes informations dans EPREL à l'aide du lien <https://eprel.ec.europa.eu> avec le nom du modèle et le numéro de produit se trouvant sur la plaque signalétique de l'appareil.


Consultez le lien [www.theenergylabel.eu](http://www.theenergylabel.eu) pour obtenir des informations détaillées sur l'étiquette énergétique.


## 9. IINFORMATIONS POUR LES LABORATOIRES D'ESSAIS

L'installation et la préparation de l'appareil pour une vérification EcoDesign doivent être conformes à la norme EN 62552 (EU). Les exigences en matière de ventilation, les dimensions des évidements et les dégagements arrière minimum doivent

correspondre aux indications du « Installation » de ce manuel d'utilisation. Veuillez contacter le fabricant pour de plus amples informations, notamment les plans de chargement.

## 10. EN MATIÈRE DE PROTECTION DE L'ENVIRONNEMENT

Recyclez les matériaux portant le symbole . Déposez les emballages dans les conteneurs prévus à cet effet. Contribuez à la protection de l'environnement et à votre sécurité, recyclez vos produits électriques et électroniques. Ne jetez pas les appareils

portant le symbole  avec les ordures ménagères. Emmenez un tel produit dans votre centre local de recyclage ou contactez vos services municipaux.

**Willkommen bei Electrolux! Danke, dass Sie sich für unser Gerät entschieden haben.**



Um Anwendungshinweise, Prospekte, Informationen zu Fehlerbehebung, Service und Reparatur zu erhalten:  
[www.electrolux.com/support](http://www.electrolux.com/support)

Änderungen vorbehalten.

## INHALTSVERZEICHNIS

1. SICHERHEITSHINWEISE.....	31
2. SICHERHEITSANWEISUNGEN.....	33
3. BEDIENFELD.....	36
4. TÄGLICHER GEBRAUCH.....	37
5. TIPPS UND HINWEISE.....	39
6. REINIGUNG UND PFLEGE.....	41
7. PROBLEMBEHEBUNG.....	41
8. TECHNISCHE DATEN.....	44
9. INFORMATIONEN FÜR PRÜFINSTITUTE.....	44
10. UMWELTTIPPS.....	45

## 1. ⚠ SICHERHEITSHINWEISE

Lesen Sie vor der Montage und dem Gebrauch des Geräts zuerst die Bedienungsanleitung. Bei Verletzungen oder Schäden infolge nicht ordnungsgemäßer Montage oder Verwendung übernimmt der Hersteller keine Haftung. Bewahren Sie die Anleitung zum Nachschlagen an einem sicheren und zugänglichen Ort auf.

### 1.1 Sicherheit von Kindern und schutzbedürftigen Personen

- Das Gerät kann von Kindern ab 8 Jahren und Personen mit eingeschränkten physischen, sensorischen oder geistigen Fähigkeiten oder mit mangelnder Erfahrung / mangelndem Wissen benutzt werden, wenn sie durch eine für ihre Sicherheit zuständige Person beaufsichtigt werden oder von dieser Person Anweisungen erhalten haben, wie das Gerät sicher zu bedienen ist und welche Gefahren bei nicht ordnungsgemäßer Bedienung bestehen. Kinder im Alter

von 3 bis 8 Jahren und Personen mit sehr umfangreichen und komplexen Behinderungen dürfen das Gerät unter der Voraussetzung, dass sie ordnungsgemäß angewiesen wurden, be- und entladen. Halten Sie Kinder unter 3 Jahren vom Gerät fern, wenn sie nicht ständig beaufsichtigt werden.

- Kinder sollten beaufsichtigt werden, damit sie nicht mit dem Gerät spielen.
- Kinder dürfen keine Reinigung und Wartung des Geräts ohne Beaufsichtigung durchführen.
- Halten Sie sämtliches Verpackungsmaterial von Kindern fern und entsorgen Sie es ordnungsgemäß.

## **1.2 Allgemeine Sicherheit**

- Dieses Gerät ist nur zur Lagerung von Lebensmitteln und Getränken bestimmt.
- Dieses Gerät ist für den häuslichen Gebrauch im Haushalt in Innenräumen konzipiert.
- Dieses Gerät darf in Büros, Hotelzimmern, Gästezimmern in Pensionen, Bauernhöfen und anderen ähnlichen Unterkünften verwendet werden, wenn diese Nutzung das (durchschnittliche) Nutzungsniveau im Haushalt nicht überschreitet.
- Um eine Kontaminierung von Lebensmitteln zu vermeiden, beachten Sie die folgenden Hinweise:
  - Öffnen Sie die Tür nicht über längere Zeit hinweg;
  - reinigen Sie regelmäßig Oberflächen, die mit Lebensmitteln in Kontakt kommen können, und zugängliche Ablaufsysteme;
  - lagern Sie rohes Fleisch und Fisch in geeigneten Behältern im Kühlschrank, so dass sie nicht mit anderen Lebensmitteln in Berührung kommen oder auf diese tropfen.
- **ACHTUNG:** Halten Sie die Lüftungsöffnungen im Gerätegehäuse oder in der Einbaunische frei von Hindernissen.



- **ACHTUNG:** Versuchen Sie nicht, den Abtauvorgang durch andere als vom Hersteller empfohlene mechanische oder sonstige Hilfsmittel zu beschleunigen.
- **ACHTUNG:** Achten Sie darauf, den Kältekreislauf nicht zu beschädigen.
- **ACHTUNG:** Betreiben Sie in den Lebensmittelfächern des Geräts keine anderen als die vom Hersteller empfohlenen Elektrogeräte.
- Reinigen Sie das Gerät nicht mit Wasserspray oder Dampf.
- Reinigen Sie das Gerät mit einem weichen, feuchten Lappen. Verwenden Sie ausschließlich Neutralreiniger. Verwenden Sie keine Scheuermittel, Scheuerschwämme, scharfe Reinigungsmittel oder Metallgegenstände.
- Wenn das Gerät längere Zeit leer steht, schalten Sie es aus, tauen Sie es ab, reinigen und trocknen Sie es und lassen Sie die Tür offen, um Schimmelbildung im Gerät zu vermeiden.
- Bewahren Sie keine explosiven Substanzen wie Aerosoldosen mit brennbarem Treibgas in diesem Gerät auf.
- Wenn das Netzkabel beschädigt ist, muss es vom Hersteller, einem autorisierten Servicezentrum oder einer ähnlich qualifizierten Person zur Vermeidung einer Gefahrenquelle ersetzt werden.

## 2. SICHERHEITSANWEISUNGEN

### 2.1 Montage

#### **WARNUNG!**

Nur eine qualifizierte Fachkraft darf die Montage des Geräts vornehmen.

- Entfernen Sie das gesamte Verpackungsmaterial.
- Montieren Sie ein beschädigtes Gerät nicht und benutzen Sie es nicht.
- Verwenden Sie das Gerät aus Sicherheitsgründen nicht, bevor es in den Einbauschrank gesetzt wird.
- Befolgen Sie die separaten Anweisungen für die Installation des Geräts und die Türumkehrung, die auf unserer Website zur Verfügung stehen.
- Seien Sie beim Umsetzen des Gerätes vorsichtig, da es sehr schwer ist. Tragen Sie stets Sicherheitshandschuhe und festes Schuhwerk.
- Stellen Sie sicher, dass die Luft um das Gerät zirkulieren kann.
- Warten Sie nach der ersten Inbetriebnahme oder dem Wechsel des Türanschlags mindestens 4 Stunden, bevor Sie das Gerät an die

Stromversorgung anschließen. So kann das Öl in den Kompressor zurückfließen.

- Ziehen Sie den Stecker aus der Steckdose, bevor Sie am Gerät arbeiten (z. B. Wechsel des Türanschlags).
- Stellen Sie das Gerät nicht in der Nähe von Heizkörpern oder Herden, Backöfen oder Kochfeldern auf, es sei denn, in der Installationsanleitung ist etwas anderes angegeben.
- Setzen Sie das Gerät nicht dem Regen aus.
- Installieren Sie das Gerät nicht an einem Ort mit direkter Sonneneinstrahlung.
- Stellen Sie dieses Gerät nicht in Bereichen auf, die zu feucht oder kalt sind.
- Wenn Sie das Gerät verschieben, heben Sie es an der Vorderkante an, um den Fußboden nicht zu verkratzen.
- Schützen Sie den Boden beim Umkehren der Gerätetür vor Kratzern.
- Das Gerät enthält einen Beutel mit Trockenmittel. Dieser Beutel ist kein Spielzeug. Dieser Beutel ist kein Lebensmittel. Bitte entsorgen Sie ihn umgehend.

## 2.2 Elektrischer Anschluss

### **WARNUNG!**

Brand- und Stromschlaggefahr.

### **WARNUNG!**

Achten Sie bei der Montage des Geräts darauf, dass das Netzkabel nicht eingeklemmt oder beschädigt wird.

### **WARNUNG!**

Verwenden Sie keine Mehrfachsteckdosen und Verlängerungskabel.

- Stellen Sie sicher, dass die Daten auf dem Typenschild mit den elektrischen Nennwerten der Netzspannung übereinstimmen.
- Das Gerät muss geerdet sein.
- Schließen Sie das Gerät nur an eine ordnungsgemäß installierte Schutzkontaktsteckdose an.
- Wenn die Steckdose nicht geerdet ist, schließen Sie das Gerät gemäß den

geltenden Vorschriften an eine separate Erdung an und wenden Sie sich an eine(n) qualifizierte(n) Elektriker\*in.

- Achten Sie darauf, die elektrischen Bauteile nicht zu beschädigen (z. B. Netzstecker, Netzkabel, Kompressor). Wenden Sie sich zum Austausch elektrischer Bauteile an das autorisierte Servicezentrum oder eine(n) Elektriker\*in.
- Das Netzkabel muss unterhalb des Netzsteckers liegen.
- Stecken Sie den Netzstecker erst nach Abschluss der Montage in die Steckdose. Stellen Sie sicher, dass der Netzstecker nach der Montage noch zugänglich ist.
- Ziehen Sie nicht am Netzkabel, wenn Sie das Gerät von der Stromversorgung trennen möchten. Ziehen Sie stets am Netzstecker.

## 2.3 Gebrauch

### **WARNUNG!**

Es besteht Verletzungs-, Verbrennungs-, Stromschlag- oder Brandgefahr.



Das Gerät enthält Isobutan (R600a), ein brennbares Erdgas mit einem hohen Grad an Umweltverträglichkeit. Achten Sie darauf, den Kältekreislauf, der Isobutan enthält, nicht zu beschädigen.

- Nehmen Sie keine technischen Änderungen am Gerät vor.
- Jegliche Verwendung des eingebauten Produkts als freistehendes Produkt ist strengstens untersagt.
- Dieses Gerät ist für den Einsatz bei einer Umgebungstemperatur von 10°C bis 38°C vorgesehen. Der korrekte Betrieb des Geräts kann nur innerhalb des angegebenen Temperaturbereichs garantiert werden.
- Stellen Sie keine elektrischen Geräte (z. B. Eisbereiter) in das Gerät, wenn solche Geräte nicht ausdrücklich vom Hersteller für diesen Zweck zugelassen sind.
- Wird der Kältekreislauf beschädigt, stellen Sie bitte sicher, dass keine Flammen und Zündquellen im Raum vorhanden sind. Lüften Sie den Raum.

- Achten Sie darauf, dass keine heißen Gegenstände auf die Kunststoffteile des Geräts gelangen.
- Geben Sie keine Softdrinks in das Gefrierfach. Dadurch entsteht Druck auf den Getränkebehälter.
- Lagern Sie keine brennbaren Gase und Flüssigkeiten im Gerät.
- Platzieren Sie keine entflammaren Produkte oder Gegenstände, die mit entflammaren Produkten benetzt sind, im Gerät, auf dem Gerät oder in der Nähe des Geräts.
- Berühren Sie nicht den Kompressor oder den Kondensator. Diese sind heiß.
- Nehmen Sie keine Gegenstände aus dem Gefrierfach und berühren Sie diese nicht, falls Ihre Hände nass oder feucht sind.
- Frieren Sie aufgetaute Lebensmittel nicht wieder ein.
- Befolgen Sie die Hinweise auf der Verpackung zur Aufbewahrung tiefgekühlter Lebensmittel.
- Wickeln Sie die Lebensmittel in Lebensmittelkontaktmaterial ein, bevor Sie sie in das Gefrierfach legen.
- Achten Sie darauf, dass keine Lebensmittel mit den Innenwänden der Gerätefächer in Berührung kommen.

## 2.4 Innenbeleuchtung

### **WARNUNG!**

Stromschlaggefahr.

- Dieses Produkt enthält eine oder mehrere Lichtquellen der Energieeffizienzklasse F.
- Bezüglich der Lampe(n) in diesem Gerät und separat verkaufter Ersatzlampen: Diese Lampen müssen extremen physikalischen Bedingungen in Haushaltsgeräten standhalten, wie z.B. Temperatur, Vibration, Feuchtigkeit, oder sollen Informationen über den Betriebszustand des Gerätes anzeigen. Sie sind nicht für den Einsatz in anderen Geräten vorgesehen und nicht für die Raumbeleuchtung geeignet.

## 2.5 Reinigung und Pflege

### **WARNUNG!**

Andernfalls besteht Verletzungsgefahr und das Gerät könnte beschädigt werden.

- Vor Wartungsarbeiten das Gerät deaktivieren und den Stecker des Anschlusskabels aus der Steckdose ziehen.
- Dieses Gerät enthält Kohlenwasserstoffe in der Kühleinheit. Das Gerät darf nur von einer qualifizierten Fachkraft gewartet werden.

## 2.6 Service

- Wenden Sie sich zur Reparatur des Geräts an das autorisierte Servicezentrum. Verwenden Sie nur Original-Ersatzteile.
- Bitte beachten Sie, dass eigene Reparaturen oder Reparaturen, die nicht von Fachkräften durchgeführt werden, die Sicherheit des Geräts beeinträchtigen und zum Erlöschen der Garantie führen können.
- Die folgenden Ersatzteile werden auch nach der Einstellung des Modells 7 Jahre lang vorgehalten: Thermostate, Temperatursensoren, Platinen, Lichtquellen, Türgriffe, Türscharniere, Einsätze und Körbe. Türdichtungen sind mindestens 10 Jahre lang nach Einstellung des Modells erhältlich. Die Dauer kann in Ihrem Land länger sein. Für weitere Informationen besuchen Sie bitte unsere Website.
- Bitte beachten Sie, dass einige dieser Ersatzteile nur an Reparaturbetriebe geliefert werden können und nicht alle Ersatzteile für alle Modelle relevant sind.

## 2.7 Entsorgung

### **WARNUNG!**

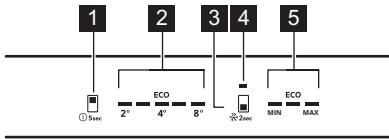
Verletzungs- und Erstickungsgefahr.

- Trennen Sie das Gerät von der Stromversorgung.
- Schneiden Sie das Netzkabel ab, und entsorgen Sie es.

- Entfernen Sie die Tür, um zu verhindern, dass sich Kinder oder Haustiere in dem Gerät einschließen.
- Der Kältekreislauf und die Isolierungsmaterialien dieses Gerätes sind ozonfreundlich.
- Die Isolierung enthält entzündliches Gas. Für Informationen zur korrekten

- Entsorgung des Gerätes wenden Sie sich an Ihre kommunale Behörde.
- Achten Sie darauf, dass die Kühleinheit in der Nähe des Wärmetauschers nicht beschädigt wird.

### 3. BEDIENFELD



- 1 Knopf für das Kühlfach / EIN/AUS-Knopf des Geräts
- 2 Temperaturanzeigen im Kühlschrank
- 3 Knopf für das Gefrierfach Extra Freeze-Taste
- 4 Extra Freeze-Anzeige
- 5 Temperaturanzeigen für den Gefrierschrank

#### 3.1 EIN/AUS schalten

##### Einschalten

1. Stecken Sie den Stecker in die Steckdose.
2. Halten Sie den EIN/AUS-Knopf des Geräts gedrückt.

Die Temperaturanzeigen zeigen die eingestellte Standardtemperatur an.

##### Ausschalten

1. Halten Sie den EIN/AUS-Knopf des Geräts gedrückt. Die Temperaturanzeigen schalten sich aus.
2. Ziehen Sie den Stecker aus der Wandsteckdose.

#### 3.2 Temperaturregelung



Es ist nicht möglich, die Temperatur einzustellen, wenn die Funktion Extra Freeze eingeschaltet ist.

Stellen Sie die Temperatur des Geräts ein, indem Sie den Knopf des Kühlfachs oder den Knopf des Gefrierfachs antippen.

Die Temperaturanzeigen zeigen das eingestellte Temperaturniveau an.

Der Temperaturbereich kann zwischen 2°C und 8°C (empfohlen 4°C) variieren.

Die ECO-Anzeige leuchtet auf, wenn die empfohlene Temperatur eingestellt ist.



Die eingestellte Temperatur wird innerhalb von 24 Std erreicht. Nach einem Stromausfall stellt das Gerät die eingestellten Temperaturen wieder her.

#### 3.3 Funktion Extra Freeze

Die Extra Freeze-Funktion dient dazu, das Gefrierfach auf das Vorgefrieren und anschließende Schnellgefrieren der Lebensmittel vorzubereiten. Diese Funktion beschleunigt das Einfrieren von frischen Lebensmitteln und schützt die bereits gelagerten Lebensmittel vor dem Aufwärmen.



Um frische Lebensmittel einzufrieren, aktivieren Sie die Funktion Extra Freeze mindestens 24 Std, bevor Sie Lebensmittel in das Gerät geben.

Zum Einschalten der Funktion Extra Freeze den Gefrierfachknopf gedrückt halten. Die Anzeige Extra Freeze leuchtet auf.



Diese Funktion stoppt nach maximal 52 Std.

Die Funktion kann durch Drücken des Gefrierfachknopfs deaktiviert werden. Die Anzeige Extra Freeze erlischt.

### 3.4 Hochtemperaturalarm

Bei einem Temperaturanstieg im Gefrierfach, blinken die erste und dritte Temperaturanzeige des Gefrierfachs, und der Ton ist eingeschaltet.

Um den Alarm für 1 Std auszuschalten, drücken Sie eine beliebige Taste. Der Signalton wird ausgeschaltet. Die erste und dritte Temperaturanzeige des Gefrierfachs

leuchten 5 Sek lang konstant, bevor die Temperatur des Gefrierfachs erneut angezeigt wird.

Nach 1 Std wird der Alarm erneut ausgelöst, bis die normalen Bedingungen wiederhergestellt sind.

Wenn Sie keinen Knopf drücken, schaltet sich der Ton nach etwa 1 Std aus.

### 3.5 Alarm - Tür offen

Wenn die Kühlschranktür ca. 5 Min lang offen gelassen wird, blinken die Temperaturanzeigen des Kühlschranks und der Ton ist eingeschaltet.

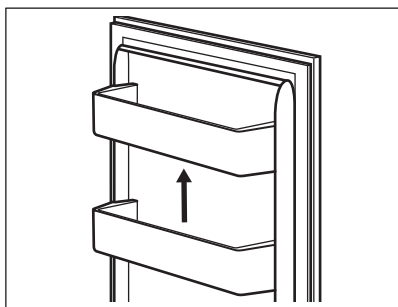
Drücken Sie eine beliebige Taste, um den Ton auszuschalten. Der Signalton wird nach 1 Std ausgeschaltet.

Der Alarm schaltet sich aus, wenn die Tür geschlossen wird.

## 4. TÄGLICHER GEBRAUCH

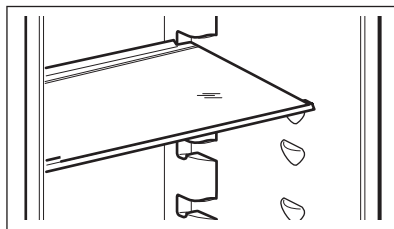
### 4.1 Positionieren der Türablagen

Zur leichteren Lagerung von Lebensmitteln können die Türregale in unterschiedlichen Höhen montiert werden. Ziehen Sie das Regal nach oben, um es neu zu positionieren.



### 4.2 Bewegliche Ablagen

Die Wände des Kühlschranks sind mit Schienen ausgestattet. Sie können die Positionen der Regale ändern.



Die Glasablage über der Gemüseschublade sollten jedoch nicht verstellt werden, um eine korrekte Luftzirkulation zu gewährleisten.

### 4.3 Obst- / Gemüseschublade

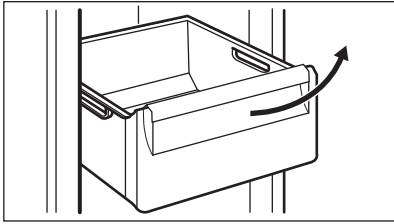
Im unteren Teil des Geräts befindet sich eine spezielle Schublade, die sich zur Aufbewahrung von Obst und Gemüse eignet.

### 4.4 Entnehmen von Schubladen

Entnehmen einer Schublade aus einem Fach:

1. Ziehen Sie die Schublade bis zum Anschlag heraus.

2. Heben Sie, wenn Sie am Ende der Auszüge angekommen sind, die Vorderseite der Schublade leicht an und nehmen Sie sie aus dem Gerät.



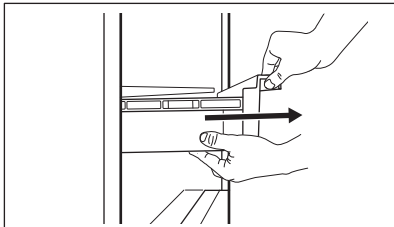
Zum Einsetzen der Schublade in ein Fach führen Sie die obigen Schritte in umgekehrter Reihenfolge aus.

#### 4.5 Entfernen der ExtraChill

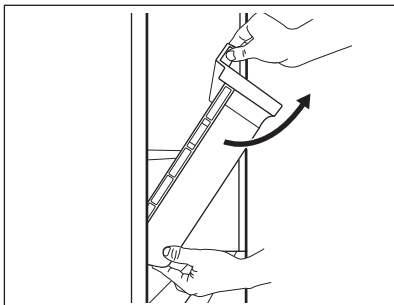
Über der Gemüseschublade befindet sich eine Schublade.

Entnehmen der Schublade:

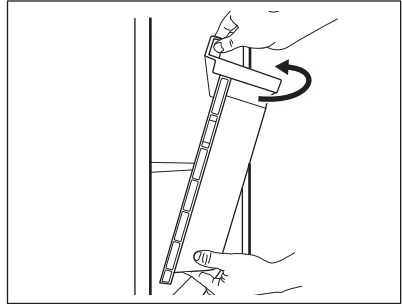
1. Ziehen Sie die Schublade aus dem Kühlschrank.



2. Heben Sie die Vorderseite der Schublade an.

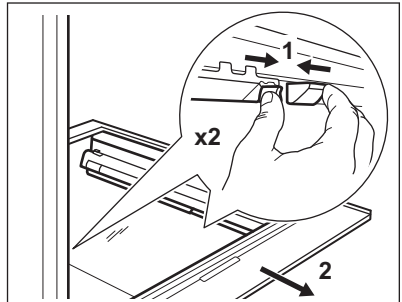


3. Heben und drehen Sie die Schublade, um sie aus dem Gerät zu ziehen.



#### 4.6 Entfernen der Glasabdeckung der Schublade

1. Entriegeln Sie die seitlichen Klemmen von beiden Seiten gleichzeitig.

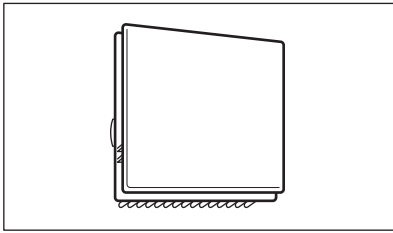


2. Ziehen Sie den Glasbodenträger zu sich heran.

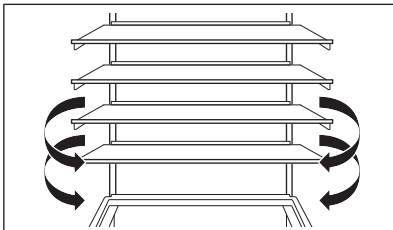
#### 4.7 MULTIFLOW

Das Kühlschrankfach ist mit dem MULTIFLOW-Ventilator ausgestattet, der das schnelle und effektive Abkühlen von Lebensmitteln ermöglicht und eine gleichmäßige Temperatur im Fach aufrechterhält.

Der Ventilator wird automatisch aktiviert und ist nur bei geschlossener Tür in Betrieb.



Die Lüftungsschlitze nicht blockieren.



Entfernen Sie das MULTIFLOW Panel nicht. Anweisungen zur Reinigung finden Sie im Kapitel „Reinigung und Pflege“.

## 4.8 Einfrieren frischer Lebensmittel

Verwenden Sie das Gefrierfach zum Einfrieren frischer Lebensmittel und zur langfristigen Aufbewahrung gefrorener und tiefgefrorener Lebensmittel.

Schalten Sie die Funktion Extra Freeze mindestens 24 Std, bevor Sie die einzufrierenden Lebensmittel in das Gefrierfach hineinlegen, ein.

Lagern Sie frische Lebensmittel gleichmäßig verteilt im ersten Fach oder der ersten Schublade von oben.

Überschreiten Sie nicht die maximale Menge an Lebensmitteln, die eingefroren werden kann, ohne dass andere frische Lebensmittel innerhalb von 24 Std hinzukommen (siehe Typenschild).

Nach Abschluss des Gefriervorgangs kehrt das Gerät automatisch auf die vorherige Temperatureinstellung zurück (siehe „Extra Freeze-Funktion“).

Weitere Informationen finden Sie unter „Tipps zum Einfrieren“.

## 4.9 Lagerung von Tiefkühlgerichten

Wenn Sie das Gerät zum ersten Mal oder nach längerem Nichtgebrauch einschalten, aktivieren Sie die Funktion Extra Freeze mindestens 3 Std, bevor Sie Lebensmittel in das Gefrierfach legen.

Um große Mengen an Lebensmitteln zu lagern, entfernen Sie die Schubladen und legen Sie die Lebensmittel direkt auf die Regale, in einem Abstand von mindestens 15 mm von der Tür.

### VORSICHT!

Wenn der Strom länger als die auf dem Typenschild unter „Anstiegszeit“ angezeigte Zeit ausgefallen ist, müssen die aufgetauten Lebensmittel sofort verbraucht werden. Siehe „Hochtemperaturalarm“.

## 5. TIPPS UND HINWEISE

### 5.1 Tipps zum Energiesparen

- Gefriergerät: Die ursprüngliche Konfiguration gewährleistet die effizienteste Nutzung von Energie.
- Kühlschrank: Die effizienteste Energienutzung wird erreicht, wenn die Schubladen im unteren Teil des Geräts eingesetzt und die Ablagen gleichmäßig angeordnet sind. Die Position der

Türablagen wirkt sich nicht auf den Energieverbrauch aus.

- Öffnen Sie die Tür nicht zu häufig, und lassen Sie diese nicht länger offen als notwendig.
- Gefriergerät: Je kälter die eingestellte Temperatur, desto höher der Energieverbrauch.
- Kühlschrank: Stellen Sie die Temperatur nicht zu hoch ein, es sei denn, dies ist


wegen der Beschaffenheit der Lebensmittel erforderlich.

- Wenn die Umgebungstemperatur hoch ist, der Temperaturregler auf eine niedrige Temperatur eingestellt und das Gerät voll beladen ist, kann es zu andauerndem Betrieb des Kompressors und damit zu Reif- oder Eisbildung am Verdampfer kommen. Stellen Sie in diesem Fall den Temperaturregler auf eine höhere Temperatur, um das automatische Abtauen zu ermöglichen.
- Bedecken Sie die Belüftungsgitter oder -öffnungen nicht.
- Stellen Sie sicher, dass die Lebensmittel im Inneren des Geräts eine Luftzirkulation durch die Öffnungen im hinteren Teil des Geräts zulassen.

## 5.2 Tipps zum Einfrieren

- Frieren Sie Flaschen oder Dosen mit Flüssigkeiten, insbesondere kohlendioxidhaltigen Getränken, nicht ein. Sie können beim Einfrieren explodieren.
- Geben Sie keine heißen Lebensmittel in den Gefrierraum.
- Stellen Sie frische, nicht gefrorene Lebensmittel nicht direkt neben bereits gefrorene Lebensmittel.
- Essen Sie Eiswürfel, Wassereis oder Eislutscher nicht sofort, nachdem Sie sie aus dem Gefrierschrank genommen haben, um Erfrierungen zu vermeiden.
- Frieren Sie aufgetaute Lebensmittel nicht wieder ein.


## 5.3 Hinweise zur Lagerung von Tiefkühlgerichten

- Das Gefrierfach ist gekennzeichnet mit .
- Eine gute Temperatureinstellung, die die Konservierung von Tiefkühlgerichten sicherstellt, ist eine Temperatur von weniger oder gleich -18 °C.
- Eine höhere Temperatureinstellung im Gerät kann die Haltbarkeit verkürzen.
- Der gesamte Gefrierraum ist für die Lagerung von Tiefkühlprodukten geeignet.
- Lassen Sie ausreichend Platz um die Lebensmittel herum, damit die Luft frei zirkulieren kann.

## 5.4 Lagerdauer im Gefrierfach

Lebensmittel	Lagerdauer (Monate)
Brot	3
Früchte (außer Zitrusfrüchten)	6 - 12
Gemüse	8 - 10
Reste ohne Fleisch	1 - 2
<b>Molkereiprodukte:</b>	
Butter	6 - 9
Weichkäse (z. B. Mozzarella)	3 - 4
Hartkäse (z. B. Parmesan, Cheddar)	6
<b>Meeresfrüchte:</b>	
Fetthaltiger Fisch (z. B. Lachs, Makrele)	2 - 3 4 - 6
Fettarmer Fisch (z. B. Dorsch, Flunder)	12
Shrimps	3 - 4
Muscheln und Miesmuscheln ohne Schale	1 - 2
Gekochter Fisch	
<b>Fleisch:</b>	
Geflügel	9 - 12
Rindfleisch	6 - 12
Schweinefleisch	4 - 6
Lamm	6 - 9
Wurst	1 - 2
Schinken	1 - 2
Reste mit Fleisch	2 - 3

## 5.5 Hinweise für die Kühlung von Lebensmitteln

- Das Fach für frische Lebensmittel ist gekennzeichnet mit .
- Eine gute Temperatureinstellung, die die Konservierung von frischen Lebensmitteln sicherstellt, ist eine Temperatur von weniger oder gleich +4 °C.
- Verwenden Sie immer geschlossene Behälter für Flüssigkeiten und Lebensmittel, um Düfte oder Gerüche im Fach zu vermeiden.
- Um eine Kreuzkontamination zwischen gekochten und rohen Lebensmitteln zu vermeiden, decken Sie die gekochten Lebensmittel ab und trennen Sie sie von den rohen.



- Wickeln Sie das Fleisch ein und legen Sie es auf die Glasablage über der Gemüseschublade.
- Tauen Sie die Lebensmittel im Kühlschrank auf.
- Stellen Sie keine warmen Lebensmittel in das Gerät.
- Reinigen Sie Obst und Gemüse und legen Sie sie in eine dafür vorgesehene Schublade (Gemüseschublade).
- Bewahren Sie exotische Früchte nicht im Kühlschrank auf.
- Bewahren Sie Gemüse wie Tomaten, Kartoffeln, Zwiebeln und Knoblauch nicht im Kühlschrank auf.
- Schließen Sie die Flaschen, bevor Sie sie in den Kühlschrank stellen.

## 6. REINIGUNG UND PFLEGE

### **WARNUNG!**

Sehen Sie Kapitel „Sicherheitshinweise“.

### 6.1 Reinigung des Innenraums

Reinigen Sie das Innere und alle Zubehörteile vor dem ersten Gebrauch mit lauwarmem Wasser und neutraler Seife und trocknen Sie sie anschließend.

### **VORSICHT!**

Das Zubehör und die Teile des Geräts sind nicht zur Reinigung im Geschirrspüler geeignet.

### **VORSICHT!**

Reinigen Sie das Bedienfeld mit einem feuchten Tuch. Verwenden Sie keine Reinigungsmittel. Wischen Sie das Bedienfeld mit einem weichen Lappen trocken.

### 6.2 Regelmäßige Reinigung

Reinigen Sie das Gerät regelmäßig:

- Reinigen Sie die Innenseite und das Zubehör mit lauwarmem Wasser und etwas neutraler Seife. Spülen Sie sie ab und wischen Sie sie trocken.

- Wischen Sie die Türdichtungen regelmäßig ab.

### 6.3 Abtauen des Kühlschranks

Der Kühlraum taut automatisch ab. Das dabei angesammelte Wasser läuft in einen Behälter am Kompressor und verdunstet. Der Behälter kann nicht entfernt werden.

### 6.4 Abtauen des Gefriergeräts

Das Gefrierfach ist frostfrei. Während des Betriebs des Geräts setzt sich weder an den Innenwänden noch an den Lebensmitteln Frost an.

### 6.5 Stillstandszeiten

Bei längerem Stillstand des Geräts müssen Sie folgende Vorkehrungen treffen:

1. Trennen Sie das Gerät von der Stromversorgung.
2. Entfernen Sie alle Lebensmittel.
3. Reinigen Sie das Gerät und alle Zubehörteile.
4. Lassen Sie die Türen geöffnet, um unangenehme Gerüche zu vermeiden.

## 7. PROBLEMBEHEBUNG

### **WARNUNG!**

Sehen Sie Kapitel „Sicherheitshinweise“.

## 7.1 Was zu tun ist, wenn ...

Störung	Mögliche Ursache	Lösung
Das Gerät funktioniert nicht.	Das Gerät ist ausgeschaltet.	Schalten Sie das Gerät ein.
	Der Netzstecker ist nicht richtig in die Netzsteckdose eingesteckt.	Stecken Sie den Netzstecker richtig in die Netzsteckdose.
Das Gerät ist laut.	Die Netzsteckdose hat keine Netzspannung.	Schließen Sie ein anderes Elektrogerät an der Netzsteckdose an. Wenden Sie sich an eine(n) qualifizierte(n) Elektriker*in.
	Das Gerät ist nicht ordnungsgemäß abgestützt.	Prüfen Sie, ob sich das Gerät in einer stabilen Position befindet.
Es wird ein akustisches oder optisches Alarmsignal ausgelöst.	Das Gerät wurde vor kurzem eingeschaltet.	Siehe „Hochtemperaturalarm“ oder „Alarm - Tür offen“.
	Die Temperatur im Gerät ist zu hoch.	Siehe „Hochtemperaturalarm“ oder „Alarm - Tür offen“.
	Die Tür ist offen.	Schließen Sie die Tür.
Der Kompressor arbeitet ständig.	Die Temperatur ist falsch eingestellt.	Siehe Kapitel „Bedienfeld“.
	Es werden zu viele Lebensmittel auf einmal hineingegeben.	Warten Sie einige Stunden und prüfen Sie erneut die Temperatur.
	Die Raumtemperatur ist zu hoch.	Siehe Kapitel „Montage“.
	Die in das Gerät gegebenen Lebensmittel sind zu warm.	Lassen Sie die Lebensmittel vor deren Aufbewahrung auf Raumtemperatur abkühlen.
	Die Tür ist nicht richtig geschlossen.	Siehe Abschnitt „Schließen der Tür“.
	Die Funktion Extra Freeze ist eingeschaltet.	Siehe Abschnitt „Funktion Extra Freeze“.
Der Kompressor schaltet sich nicht sofort ein, nachdem Sie „Extra Freeze“ gedrückt oder die Temperatur auf einen anderen Wert eingestellt haben.	Der Kompressor startet nach einer gewissen Zeit.	Das ist normal; es ist kein Fehler aufgetreten.
Die Tür ist falsch ausgerichtet oder beeinträchtigt das Lüftungsgitter.	Das Gerät ist nicht ausgerichtet.	Siehe Montageanleitung.
Die Tür lässt sich nicht leicht öffnen.	Sie haben versucht, die Tür unmittelbar nach dem Schließen erneut zu öffnen.	Warten Sie einige Sekunden zwischen dem Schließen und erneutem Öffnen der Tür.
Die Lampe funktioniert nicht.	Die Lampe ist im Standby-Modus.	Schließen Sie die Tür und öffnen Sie die Tür wieder.
	Die Lampe ist defekt.	Wenden Sie sich an das autorisierte Servicezentrum.
Zu viel Frost und Eis.	Die Tür ist nicht richtig geschlossen.	Siehe Abschnitt „Schließen der Tür“.
	Die Dichtung ist verzogen oder verschmutzt.	Siehe Abschnitt „Schließen der Tür“.

<b>Störung</b>	<b>Mögliche Ursache</b>	<b>Lösung</b>
	Lebensmittel sind nicht richtig verpackt.	Verpacken Sie das Essen richtig.
	Die Temperatur ist falsch eingestellt.	Siehe Kapitel „Bedienfeld“.
	Das Gerät ist voll von Lebensmitteln und auf die niedrigste Temperatur eingestellt.	Stellen Sie eine höhere Temperatur ein. Siehe Kapitel „Bedienfeld“.
	Die eingestellte Temperatur im Gerät ist zu niedrig, und die Umgebungstemperatur ist zu hoch.	Stellen Sie eine höhere Temperatur ein. Siehe Kapitel „Bedienfeld“.
Wasser fließt an der Rückwand des Kühlschranks herunter.	Während des automatischen Abtauprozesses taut das Eis an der Rückwand ab.	Das ist richtig.
Im Kühlschrank befindet sich zu viel Kondenswasser.	Die Tür wurde zu häufig geöffnet.	Öffnen Sie die Tür nur bei Bedarf.
	Die Tür wurde nicht vollständig geschlossen.	Achten Sie darauf, dass die Tür vollständig geschlossen ist.
	Die aufbewahrten Lebensmittel waren nicht verpackt.	Packen Sie die Lebensmittel richtig ein, bevor Sie diese in das Gerät legen.
	Es ist normal, dass sich im Sommer und Herbst aufgrund der erhöhten Luft- und Lebensmittelfeuchtigkeit mehr Kondensation bilden kann. Ein Kühlschrank produziert keine Feuchtigkeit. Nach dieser Zeit nimmt die Luftfeuchtigkeit im Kühlschrank von selbst ab.	Stellen Sie den Kühlschrank im Sommer und Herbst auf die wärmere Temperatur ein (ca. 6-7 °C).
Auf den Glasregalen befinden sich Wassertropfen.	Im Kühlschrank befindet sich zu viel Feuchtigkeit.	Wischen Sie die Glasablagen mit einem Tuch ab, um die Wassertropfen zu entfernen.
Wasser fließt auf den Boden.	Der Tauwasserablauf ist nicht an die Verdampfungsschale über dem Kompressor angeschlossen.	Bringen Sie den Tauwasserablauf an der Verdampfungsschale an.
Die Temperatur kann nicht eingestellt werden.	Die Extra Freeze Funktion ist eingeschaltet.	Schalten Sie die Extra Freeze Funktion manuell aus oder warten Sie, bis sie sich automatisch deaktiviert. Siehe Abschnitt „Funktion Extra Freeze“.
Die Temperatur im Gerät ist zu niedrig / zu hoch.	Die Temperatur ist nicht richtig eingestellt.	Stellen Sie eine höhere / niedrigere Temperatur ein.
	Die Tür ist nicht richtig geschlossen.	Siehe Abschnitt „Schließen der Tür“.
	Die Lebensmittel sind zu heiß.	Lassen Sie die Lebensmittel vor der Aufbewahrung abkühlen.
	Zu viele Lebensmittel werden gleichzeitig aufbewahrt.	Bewahren Sie weniger Lebensmittel gleichzeitig auf.
	Die Tür wurde zu oft geöffnet.	Öffnen Sie die Tür nur bei Bedarf.

Störung	Mögliche Ursache	Lösung
	Die Funktion Extra Freeze ist eingeschaltet.	Siehe Abschnitt „Funktion Extra Freeze“.
	Im Gerät herrscht keine Kaltluftzirkulation.	Stellen Sie sicher, dass kalte Luft im Gerät zirkuliert. Siehe Kapitel „Tipps und Hinweise“.
Die fünfte Temperaturanzeige blinkt.	Kommunikationsproblem.	Wenden Sie sich an das autorisierte Servicezentrum. Das Kühlsystem hält die Lebensmittel weiterhin kalt, aber eine Temperaturanpassung ist nicht möglich.
Die erste oder zweite Temperaturanzeige blinkt.	Problem mit dem Temperatursensor.	Wenden Sie sich an das autorisierte Servicezentrum. Das Kühlsystem hält die Lebensmittel weiterhin kalt, aber eine Temperaturanpassung ist nicht möglich.



Wenn das Problem weiterhin besteht, wenden Sie sich an das autorisierte Servicezentrum.

## 7.2 Austauschen der Lampe

Wenden Sie sich an das autorisierte Servicezentrum, um die Lampe auszutauschen.

## 7.3 Schließen der Tür

1. Reinigen Sie die Türdichtungen.
2. Informationen zum Einstellen der Tür finden Sie in den Installationsanweisungen.
3. Um die defekten Türdichtungen auszutauschen, wenden Sie sich an das autorisierte Servicezentrum.

## 8. TECHNISCHE DATEN

Die technischen Daten befinden sich auf dem Typenschild innen im Gerät sowie auf der Energieplakette.

Der QR-Code auf der Energieplakette des Geräts bietet einen Web-Link zu Informationen über die Geräteleistung in der EU EPREL-Datenbank. Bewahren Sie daher die Energieplakette als Referenz zusammen mit dieser Bedienungsanleitung und allen anderen Unterlagen, die mit dem Gerät geliefert wurden, auf.

Es ist auch möglich, die gleichen Informationen in EPREL zu finden, indem Sie den Link <https://eprel.ec.europa.eu> sowie den Modellnamen und die Produktnummer, die Sie auf dem Typenschild des Geräts finden, verwenden.

Beachten Sie den Link [www.theenergylabel.eu](http://www.theenergylabel.eu) bezüglich detaillierter Informationen zur Energieplakette.


## 9. INFORMATIONEN FÜR PRÜFINSTITUTE


Die Installation und die Vorbereitung des Geräts für eine eventuelle EcoDesign-Prüfung müssen mit EN 62552 (EU) übereinstimmen. Die Lüftungsanforderungen,

die Abmessungen der Einbaunische und die Mindestabstände sind in dieser Bedienungsanleitung unter „Montage“ beschrieben. Weitere Informationen erhalten

Sie vom Hersteller, einschließlich der Beladungspläne.

## 10. UMWELTTIPPS

Recyceln Sie Materialien mit dem Symbol .  
Entsorgen Sie die Verpackung in den entsprechenden Recyclingbehältern.  
Recyceln Sie zum Umwelt- und Gesundheitsschutz elektrische und elektronische Geräte. Entsorgen Sie Geräte

mit diesem Symbol  nicht mit dem Hausmüll. Bringen Sie das Gerät zu Ihrer örtlichen Sammelstelle oder wenden Sie sich an Ihr Gemeindeamt.

# Velkomin til Electrolux! Þakka þér fyrir að velja heimilistækið okkar.



Fá leiðbeiningar um notkun, bækinga, bilanaleit, þjónustu- og viðgerðarupplýsingar.  
[www.electrolux.com/support](http://www.electrolux.com/support)

Með fyrirvara á breytingum.

## EFNISYFIRLIT

1. ÖRYGGISUPPLÝSINGAR.....	46
2. ÖRYGGISLEIÐBEININGAR.....	48
3. STJÓRNBOÐ.....	50
4. DAGLEG NOTKUN.....	51
5. ÁBENDINGAR OG GÓÐ RÁÐ.....	54
6. UMHIRÐA OG HREINSUN.....	55
7. BILANALET.....	55
8. TÆKNILEGAR UPPLÝSINGAR.....	58
9. UPPLÝSINGAR FYRIR PRÓFUNARSTOFNANIR.....	58
10. UMHVERFISMÁL.....	58

## 1. ⚠ ÖRYGGISUPPLÝSINGAR

Fyrir uppsetningu og notkun heimilistækisins skal lesa meðfylgjandi leiðbeiningar vandlega. Framleiðandinn ber ekki ábyrgð á neinum meiðslum eða skemmdum sem leiða af rangri uppsetningu eða notkun. Geymdu alltaf leiðbeiningarnar á öruggum stað þar sem auðvelt er að nálgast þær til síðari notkunar.

### 1.1 Öryggi barna og viðkvæmra einstaklinga

- Börn, 8 ára og eldri og fólk með minnkaða líkamlega-, skyn- eða andlega getu, eða sem skortir reynslu og þekkingu, mega nota þetta tæki, ef þau eru undir eftirliti eða hafa verið veittar leiðbeiningar varðandi örugga notkun tækisins og ef þau skilja hættuna sem því fylgir. Börn á aldrinum 3 til 8 ára og einstaklingar með mjög mikla og flókna fötlun er leyfilegt að setja í og taka úr heimilistækinu, að því tilskildu að þau hafi fengið almennilegar leiðbeiningar. Halda ætti börnum yngri en 3 ára frá heimilistækinu nema þau séu undir stöðugu eftirliti.

- Hafa ætti eftirlit með börnum til að tryggja að þau leiki sér ekki með heimilistækið.
- Börn eiga ekki að hreinsa eða framkvæma notandaviðhald á heimilistækinu án eftirlits.
- Haltu öllum umbúðum frá börnum og fargaðu þeim á viðeigandi hátt.

## 1.2 Almennt öryggi

- Þetta heimilistæki er eingöngu fyrir geymslu á matvörum og drykkjum.
- Þetta heimilistæki er hannað til notkunar innanhúss á heimilum.
- Þetta heimilistæki má nota á skrifstofum, í herbergjum hótela, herbergjum gestahúsa, bændagistingum og öðrum sambærilegum gistirýmum þar sem notkun er ekki meiri en almenn heimilisnotkun.
- Til að forðast spillingu matvæla skal virða eftirfarandi leiðbeiningar:
  - Hafðu hurðina ekki opna um lengri tíma;
  - hreinsaðu reglubundið fleti sem geta komist í snertingu við matvæli og aðgengileg frárennsliskerfi;
  - geymdu hrátt kjöt og fisk í hentugum ílátum í kælikápnunum þannig að það komist ekki í snertingu við eða leki niður á önnur matvæli.
- VIÐVÖRUN: Haltu loftræstingaropum, í afgirðingu heimilistækisins eða í innbyggðu rými, lausu við hindranir.
- VIÐVÖRUN: Notaðu ekki vélrænan búnað eða aðrar aðferðir til að hraða afisunarferli, annan en þann sem framleiðandinn mælir með.
- VIÐVÖRUN: Skemmdu ekki kælimiðilsrásina.
- VIÐVÖRUN: Notaðu ekki rafmagnstæki inni í geymsluhólfum matvæla í heimilistækinu, nema þau séu af þeirri tegund sem framleiðandinn mælir með.
- Notaðu ekki vatnsúða og gufu til að hreinsa heimilistækið.

- Hreinsaðu heimilistækið með mjúkum rökum klút. Notaðu aðeins hlutlaus þvottaefni. Notaðu ekki neinar vörur með svarfefnum, stálull, leysiefni eða málmhluti.
- Þegar heimilistækið er tómt um lengri tíma skal slökkva á því, afísa, hreinsa, þurrka og skilja hurðina eftir opna til að koma í veg fyrir að mygla myndist inni í tækinu.
- Geymdu ekki sprengifim efni eins og úðabrúsa með eldfimu drifefni í þessu heimilistæki.
- Ef rafmagnssnúran er skemmd verður framleiðandi, viðurkennd þjónustumiðstöð, eða svipað hæfur aðili að endurnýja hana til að forðast hættu.

## 2. ÖRYGGISLEIÐBEININGAR

### 2.1 Uppsetning

#### **ADVÖRUN!**

Einungis til þess hæfur aðili má setja upp þetta heimilistæki.

- Fjarlægðu allar umbúðir.
- Ekki setja upp eða nota skemmt heimilistæki.
- Notaðu ekki heimilistækið áður en þú setur upp innbyggða virkið af öryggisástæðum.
- Fylgdu aðskildum leiðbeiningum sem eru á vefsíðu okkar um uppsetningu heimilistækisins og þegar hurð er snúið við.
- Alltaf skal sýna aðgát þegar heimilistækið er fært vegna þess að það er þungt. Notaðu alltaf öryggishanska og lokaðan skóbúnað.
- Gakktu úr skugga um að að loft geti flætt í kringum heimilistækið.
- Við fyrstu uppsetningu eða eftir að hurðinni hefur verið snúið við skaltu bíða í að minnsta kosti 4 klukkustundir áður en heimilistækið er tengt við rafmagn. Þetta er til að olían nái að flæða aftur í þjöppuna.
- Áður en þú framkvæmir einhverjar aðgerðir á heimilistækinu (t.d. snýrð við hurðinni) skaltu taka klóna úr rafmagnsinnstungunni.
- Ekki setja heimilistækið upp nálægt hitagjöfum (ofnum) eða eldavélum,

bökunarofnum eða helluborðum, nema annað sé tekið fram í leiðbeiningum um uppsetningu.

- Ekki hafa heimilistækið berskjaldað gagnvart rigningu.
- Ekki setja heimilistækið upp þar sem það verður fyrir beinu sólarljósi.
- Ekki setja þetta heimilistæki upp á svæðum þar sem er of mikill raki eða of kalt.
- Þegar þú færir til heimilistækið, skaltu lyfta brúninni að framan til að koma í veg fyrir að þú rispir gólfíð.
- Verndaðu gólfíð gegn rispum þegar hurð heimilistækisins er snúið við.
- Heimilistækið inniheldur poka af þurrkefni. Þetta er ekki leikfang. Þetta er ekki matvara. Vinsamlegast fargaðu því samstundis.

### 2.2 Rafmagnstenging

#### **ADVÖRUN!**

Hætta á eldi og raflosti.

#### **ADVÖRUN!**

Þegar heimilistækið er staðsett skaltu tryggja að rafmagnssnúran sé hvorki klemmd né skemmd.



### **AÐVÖRUN!**

Notaðu ekki fjöltengi eða framlengingarsnúrur.

- Gakktu úr skugga um að færíbreyturnar á merkiplötunni séu samhæfar við rafmagnsflokkun aðalæðar aflugjafa.
- Heimilistækið verður að vera jarðtengt.
- Notaðu alltaf rétt ísetta innstungu sem ekki veldur raflosti.
- Ef innstungan á heimilinu er ekki jarðtengt, þarf að jarðtengja heimilistækið í aðskilda jörð til að uppfylla núgildandi reglugerðir. Hafið samband við fagmenntaðan rafvirkja.
- Gakktu úr skugga um að rafmagnsíhlutir verði ekki fyrir skemmdum (t.d. rafmagnsklón, snúran, þjappan). Hafa skal samband við viðurkennda þjónustumiðstöð eða rafvirkja til að skipta um rafmagnsíhluti.
- Rafmagnssnúran verður að liggja neðar en rafmagnsklón.
- Aðeins skal tengja rafmagnsklóna við rafmagnsinnstunguna í lok uppsetningarinnar. Gakktu úr skugga um að rafmagnsklón sé aðgengileg eftir uppsetningu.
- Ekki toga í snúruna til að taka tækið úr sambandi. Taktu alltaf um klóna.

## 2.3 Notkun

### **AÐVÖRUN!**

Hætta á meiðslum, bruna, raflosti eða eldsvoða.



Heimilistækið inniheldur eldfimt gas, ísóbutan (R600a), náttúrulegt gas, sem er mjög umhverfisvænt. Gættu þess að valda ekki skaða á kælrásinni sem inniheldur ísóbutan.

- Breytið ekki eiginleikum heimilistækisins.
- Það er harðbannað að nota þessa innbyggðu vöru sem frístandandi tæki.
- Þetta heimilistæki er ætlað til notkunar við stofuhita á bilinu frá 10°C til 38°C. Þetta tilgreinda hitastigssvið tryggir rétta virkni heimilistækisins.

- Ekki láta rafmagnstæki (s.s. ísgerðarvélar) í tækið nema það sé tekið fram af framleiðanda að þau þoli það.
- Ef rafrásir kælibúnaðarins skemmast skal gæta þess að það sé enginn logi eða kveikjugjafar í herberginu. Loftræstu herbergið.
- Ekki láta heita hluti snerta þá hluta heimilistækisins sem eru úr plasti.
- Ekki setja gosdrykki í frystihólfíð. Við það myndast þrýstingur innan í drykkjarlátinu.
- Ekki nota heimilistækið til að geyma eldfimar lofttegundir eða vökva.
- Setjið ekki eldfim efni eða hluti bleytta með eldfimum efnum í, nálægt, eða á heimilistækið.
- Ekki snerta þjöppuna eða þéttinn. Þau eru heit.
- Ekki fjarlægja eða snerta hluti úr frystihólfinu ef hendur þínar eru rakar eða blautar.
- Ekki endurfrysta mat sem búið er að þíða.
- Fylgdu geymsluleiðbeiningunum á umbúðum frystra matvæla.
- Vefðu matnum inn áður en þú setur hann í frystihólfíð.
- Leyfið ekki matvælum að komast í snertingu við innri veggj heimilistækishólfanna.

## 2.4 Innri lýsing

### **AÐVÖRUN!**

Hætta á raflosti.

- Þessi vara inniheldur einn eða fleiri ljósgjafa í orkunýtniflokknum F.
- Varðandi ljósin inn í þessari vöru og ljós sem varahluti sem seld eru sérstaklega: Þessi ljós eru ætluð að standast öfgakenndar aðstæður í heimilistækjum eins og hitastig, titring, raka eða til að senda upplýsingar um rekstrarstöðu tækisins. Þau eru ekki ætluð til að nota í öðrum tækjum og henta ekki sem lýsing í herbergjum heimila.

## 2.5 Umhirða og hreinsun

### **AÐVÖRUN!**

Hætta á meiðslum eða skemmdum á heimilistækinu.

- Áður en viðhald fer fram skal slökkva á heimilistækinu og aftengja rafmagnsklóna frá rafmagnsinnstungunni.
- Þetta heimilistæki inniheldur vetniskolefni í kælibúnaðinum. Einungis hæfur aðili má sinna viðhaldi og endurhleðslu þessa tækis.

## 2.6 Þjónusta

- Hafðu samband við viðurkennda þjónustumiðstöð til að gera við heimilistækið. Nota skal eingöngu upprunalega varahluti.
- Vinsamlegast athugaðu að ef þú eða einhver sem ekki er fagmaður gerir við getur það haft afleiðingar varðandi öryggi og gæti ógilt ábyrgðina.
- Eftirfarandi varahlutir eru fáanlegir í að minnsta kosti 7 ár eftir að framleiðslu gerðarinnar hefur verið hætt: hitastillar, hitaskynjarar, prentplötur, ljósgjafar, hurðahandföng, hurðalamir, bakkar og grindur. Hurðapéttingar eru fáanlegar í að minnsta kosti 10 ár eftir að framleiðslu gerðarinnar hefur verið hætt. Verið gæti að tímalengdin sé ekki lengur fáanleg í þínu landi. Farðu á vefsíðu okkar fyrir frekari upplýsingar.

- Vinsamlegast athugaðu að suma þessara varahluta geta aðeins atvinnuviðgerðaraðilar fengið og ekki eru allir varahlutir viðeigandi fyrir allar gerðir.

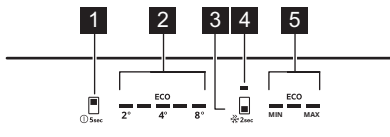
## 2.7 Förgun

### ⚠ AÐVÖRUN!

Hætta á meiðslum eða köfnun.

- Aftengið heimilistækið frá rafmagnsgjafanum.
- Klippa rafmagnssnúruna af og flegið henni.
- Fjarlægðu hurðina til að koma í veg fyrir að börn eða dýr geti lokast inni í tækinu.
- Kælirásin og einangrunarefnið á tækinu eru ósónvæn.
- Einangrunarfroðan inniheldur eldfimar lofttegundir. Hafðu samband við sveitarfélagið til að fá upplýsingar um hvernig á að farga heimilistækinu á réttan hátt.
- Ekki valda skaða á hluta kælieiningarinnar sem er nálægt hitaskiptinum.

## 3. STJÓRNBOÐ



- 1 Hnappur fyrir kælihölf / Hnappur til að KVEIKJA/SLÖKKVA á tæki
- 2 Hitastigsvísir fyrir kæli
- 3 Hnappur fyrir frystihólf Extra Freeze-hnappur
- 4 Extra Freeze vísir
- 5 Hitastigsvísir fyrir frystihólf

### 3.1 Kveikt / slökkt

#### Kveikja

1. Stingið klónni í samband við rafmagnsinnstungu.

2. Ýttu á og haltu inni hnappinum til að KVEIKJA/SLÖKKVA á tækinu.

Hitastigsvísarnir sýna sjálfgefið innstillt hitastig.

#### Slökkt

1. Ýttu á og haltu inni hnappinum til að KVEIKJA/SLÖKKVA á tækinu. Það slokknar á hitastigsvísunum.
2. Aftengdu klóna frá rafmagnsinnstungunni.

### 3.2 Hitastilling



Ekki er mögulegt að stilla hitastigið þegar kveikt er á Extra Freeze aðgerðinni.

Stilltu hitastig heimilistækisins með því að ýta á hnappinn fyrir kælihólfið eða hnappinn fyrir frystihólfið.

Hitastigsvisar sýna innstillt hitastig.

Hitastigið getur verið mismunandi á milli 2°C til 8°C (mælt með 4°C).

Ljósinn fyrir ECO vísinn kvikna þegar ráðlagt hitastig er stillt inn.



Hitastillingunni þarf að ná innan 24 klst. Eftir rafmagnsleysi fer heimilistækið aftur á innstillt hitastig.

### 3.3 Extra Freeze aðgerð

Extra Freeze aðgerðin er notuð til að forfrysta og hraðfrysta í röð í frystihólfinu. Þessi aðgerð flýtur frystingu ferskra matvæla og ver matvæli sem þegar eru í geymslu frá því að hitna.



Til að frysta fersk matvæli skal virkja Extra Freeze aðgerðina minnst 24 klst áður en maturinn er settur í frystihólfið.

Til að virkja Extra Freeze aðgerðina skaltu ýta á og halda inni hnappinum fyrir frystihólfið. Extra Freeze vísirinn lýsir.



Aðgerðin stöðvast eftir að hámarki 52 klst.

Til að afvirkja aðgerðina ýtið á hnapp frystihólsins. Það slokknar á Extra Freeze - vísinum.

### 3.4 Aðvörun um háan hita

Þegar hitastigið hækkar í frystihólfinu þá blikka fyrsti og þriðji hitastigsvisar frystisins og hljóðið fer á.

Ýtið á einhvern hnapp til að afvirkja viðvörunina fyrir 1 klst. Það slokknar á hljóðinu. Fyrsti og þriðji hitastigsvisar frystisins loga í 5 sek áður en hitastigið á frystinum sést að nýju.

Eftir 1 klst endurræsisst viðvörunin þangað til eðlilegar aðstæður hafa náðst.

Ef þú ýtir ekki á neinn hnapp slekkur hljóðið á sér eftir 1 klst.

### 3.5 Aðvörun fyrir opna hurð

Ef kælihurðin er skilin eftir opin í um það bil 5 mín, blikka hitastigsvísarnir fyrir kælinn og hljóð heyrst.

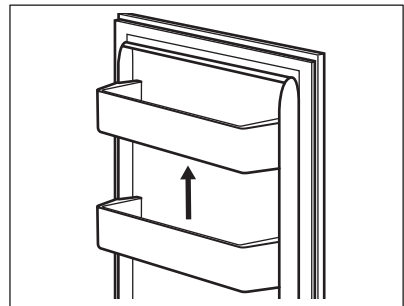
Ýtið á hvaða hnapp sem er til að slökkva á hljóðinu. Það slokknar á hljóðinu eftir 1 klst.

Aðvörunin hættir eftir að hurðinni hefur verið lokað.

## 4. DAGLEG NOTKUN

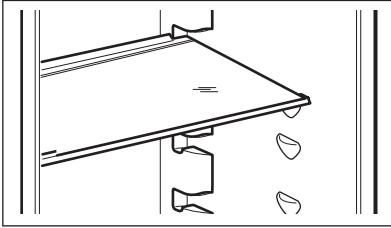
### 4.1 Hurðarhillurnar staðsettar

Til að auðvelda geymslu matvæla er hægt að setja hurðarhillurnar í mismunandi hæðir. Lyftu hillunni upp til að staðsetja að nýju.



## 4.2 Færanlegar hillur

Veggir kæliskápsins eru búnir rennum. Þú getur breytt staðsetningunni á hillunum.



Færið ekki glerhilluna fyrir ofan grænmetisskúffuna, til að tryggja rétt loftstreymi.

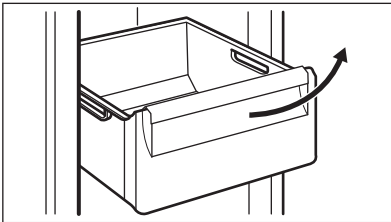
## 4.3 Grænmetisskúffa

Það er sérstök skúffa í neðsta hluta heimilistækisins sem hentar til þess að geyma ávexti og grænmeti.

## 4.4 Skúffur fjarlægðar

Til að fjarlægja skúffu úr hólf:

1. Dragðu skúffuna út þangað til hún stöðvast.
2. Þegar komið er að endunum á rennunum skaltu lyfta framhluta skúffunar lítillega og fjarlægja hana úr heimilistækinu.

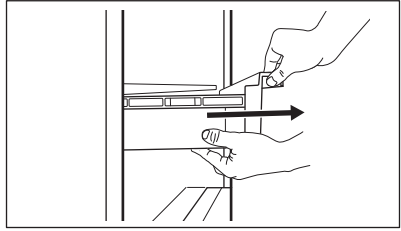


Til að setja skúffuna í hólf þ skaltu fylgja ofangreindum skrefum í öfugri röð.

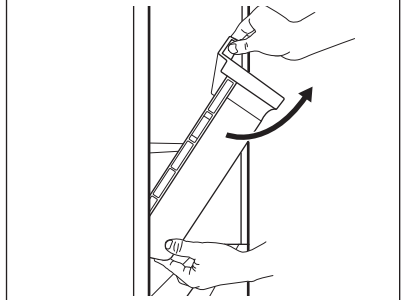
## 4.5 ExtraChill fjarlægt

Það er skúffa fyrir ofan grænmetisskúffuna. Fjarlægðu skúffuna:

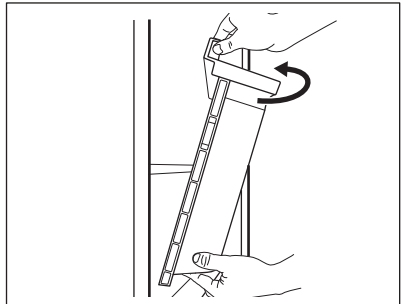
1. Dragðu skúffuna út úr kæliskápnunum.



2. Lyftu upp framhluta skúffunnar.

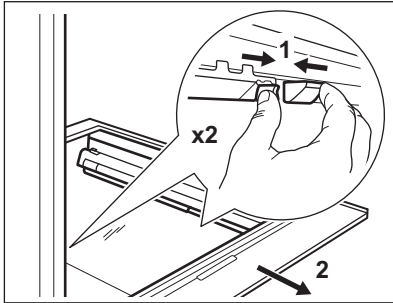


3. Lyftu upp og snúðu skúffunni til að draga hana út úr heimilistækinu.



## 4.6 Að fjarlægja glerlokið af skúffunum

1. Aflæstu láréttum gripum samtímis á báðum hliðum.

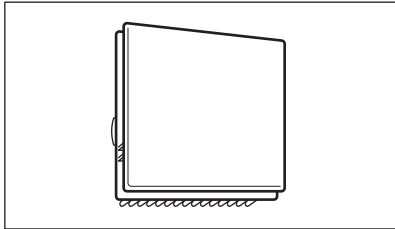


2. Dragðu glerhillustoðinar í átt að þér.

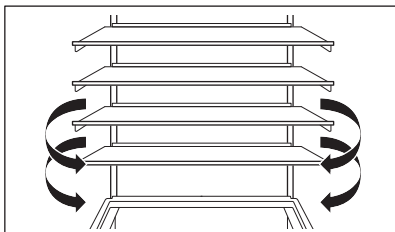
## 4.7 MULTIFLOW

Kæliholfið er búið MULTIFLOW viftunni sem gerir hraða og skilvirka kælingu matvæla mögulega og viðheldur jafnara hitastigi í sérhverjum hluta hólfsins.

Viftan virkjast sjálfkrafa og virkar aðeins þegar hurðin er lokuð.



Lokaðu ekki fyrir loftunargöt.



Ekki fjarlægja MULTIFLOW spjaldið. Fyrir upplýsingar um hreinsun, sjá kaflann „Umhíða og hreinsun“.

## 4.8 Frysta fersk matvæli

Notaðu frystihólfið til þess að frysta fersk matvæli og geyma frosin og djúpfrost matvæli til lengri tíma.

Virkja skal Extra Freeze aðgerðina minnst 24 klst áður en maturinn sem á að frysta er settur í frystihólfið.

Dreifid fersku matvælunum jafnt yfir fyrsta hólfið eða skúffuna talið ofan frá.

Farðu ekki yfir hámarks magn matvæla sem hægt er að frysta án þess að bæta öðrum ferskum mat í 24 klst (sjá merkiplötu).

Að frystiferlinu loknu, fer heimilistækið sjálfkrafa aftur í fyrri hitastillingu (sjá „Extra Freeze aðgerðina“).

Til að fá frekari upplýsingar, sjá „Ábendingar um frystingu“.

## 4.9 Geymsla á frosnum matvælum

Þegar heimilistækið er virkjað í fyrsta sinn eða eftir notkunarhlé skal virkja Extra Freeze aðgerðina í að minnsta kosti 3 klst áður en vörurnar eru settar í frystihólfið.

Til að geyma mikið magn af matvælum skaltu fjarlægja skúffurnar og setja matinn beint á hillurnar, að minnsta kosti í 15 mm fjarlægð frá hurðinni.



### VARÚÐ!

Ef rafmagnið hefur verið slökkt lengur en gildið sem sýnt er á merkiplötu undir „hækkunartími“ verður að nota affrysta matarins tafarlaust. Sjá „Aðvörum um háan hita“.

## 5. ÁBENDINGAR OG GÓÐ RÁÐ


### 5.1 Ábendingar um orkusparnað

- Frystir: Upprunalega uppsetningin tryggir hagkvæmstu orkunotkunina.
- Kælir: Hagkvæmasta orkunotkunin er tryggð í þeirri uppsetningu að skúffunum í neðri hluta heimilistækisins og hillunum sé dreift jafnt. Staðsetning kassa í hurð hefur ekki áhrif á orkunotkun.
- Ekki opna hurðina oft eða hafa hana opna lengur en nauðsyn krefur.
- Frystir: Því kaldari sem stillingin er, því meiri orku notar hún.
- Kælir: Ekki stilla á of háan hita nema eiginleikar matarins krefjist þess.
- Ef umhverfishitastigið er hátt, hitastýringin stillt á lágan hita og heimilistækið fullhlaðið, getur verið að þjappan sé stöðugt í gangi, en það getur valdið því að hrím eða ís hlaðist utan á eiminn. Í þessu tilfelli skaltu stilla hitastýringuna í átt að hærri hitastigi til að leyfa sjálfvirka affrystingu.
- Ekki hylja loftræstiristarnar eða götin.
- Gakktu úr skugga um að matvaran inni í heimilistækinu leyfi lofti að flæða út um göt aftan á innanverðu heimilistækinu.

### 5.2 Ábendingar um frystingu

- Ekki frysta flöskur eða dósir með vökva í, sérstaklega kolsýrða drykki. Þær gætu sprungið þegar þær eru frystar.
- Ekki láta heitan mat í frystihólflið.
- Ekki setja ferskan, ófrosinn mat beint við hliðina á matvælum sem þegar eru frosin.
- Ekki borða ísmola, vatnsís eða íspinna strax eftir að þeir hafa verið teknir úr frysti til að forðast að verða fyrir kala.
- Ekki endurfrysta piðin matvæli.

### 5.3 Ábendingar um geymslu á frosnum mat


- Frystihólflið er merkt með .
- Góð hitastilling sem varðveitir frosna matvöru er -18°C eða lægri.
- Sé hærrí hiti stilltur fyrir heimilistækið getur það leitt til styttri endingartíma fyrir vörurnar.

- Allt frystihólflið hentar fyrir geymslu á frosnum vörum.
- Skildu eftir nægilegt pláss í kringum matvælin til að loft nái að flæða vel um þau.

### 5.4 Endingartími fyrir frystihólf

Tegund matvæla	Endingartími (mánuðir)
Brauð	3
Ávextir (fyrir utan sítrusávexti)	6 - 12
Grænmeti	8 - 10
Afgangar án kjöts	1 - 2
<b>Mjólkurvörur:</b>	
Smjör	6 - 9
Mjúkur ostur (t.d. mozzarella)	3 - 4
Harður ostur (t.d. parmesan, cheddar)	6
<b>Sjávarfang:</b>	
Feitur fiskur (t.d. lax, makrill)	2 - 3
Magur fiskur (t.d. þorskur, flundra)	4 - 6
Rækjur	12
Skelfiskur og kræklingur án skelja	3 - 4
Eldaður fiskur	1 - 2
<b>Kjöt:</b>	
Alifuglakjöt	9 - 12
Nautakjöt	6 - 12
Svinakjöt	4 - 6
Lambakjöt	6 - 9
Pylsur	1 - 2
Skinka	1 - 2
Afgangar með kjöti	2 - 3

### 5.5 Ábendingar um góða kælingu

- Vöruhólflið fyrir ferska matvöru er merkt með .
- Góð hitastilling sem varðveitir ferska matvöru er +4°C eða lægri.
- Notaðu alltaf lokuð ílát fyrir vökva og fyrir mat, til að forðast að lykt eða bragð safnist í hólflið.
- Til að forðast víxlmengun á milli eldaðrar og óeldaðrar matvöru, skal þekja eldaða

- matvöru og halda henni aðskildri frá hrárrí matvöru.
- Pakkaðu kjöti inn í hentugar umbúðir og settu það á glerhilluna fyrir ofan grænmetisráffuna.
- Affrystu matinn sem er inni í kælinum.
- Ekki stinga heitri matvöru inn í heimilistækið.

- Hreinsaðu ávexti og grænmeti og settu í þar til gerða skúffu (grænmetisráffu).
- Ekki geyma framandi ávexti í kælinum.
- Ekki geyma grænmeti, eins og tómata, kartöflur, lauk og hvítlauk, í kælinum.
- Lokaðu flöskunum áður en þú setur þær inn í kælinn.

## 6. UMHIRÐA OG HREINSUN

### **AÐVÖRUN!**

Sjá kafla um öryggismál.

### 6.1 Innra byrði hreinsað

Fyrir fyrstu notkun skal hreinsa innanvert rýmið og alla fylgihluti með volgu vatni og hlutlausri sápu og þurrka síðan.

### **VARÚÐ!**

Aukahlutir og hlutar heimilistækisins eru ekki ætlaðir fyrir uppþvottavélar.

### **VARÚÐ!**

Hreinsaðu stjórnborðið með rökum klút. Ekki nota neitt þvottaefni. Þurrkaðu stjórnborðið með mjúkum klút.

### 6.2 Reglubundin hreinsun

Hreinsaðu búnaðinn reglulega:

- Hreinsaðu innra byrðið og aukahlutina með volgu vatni og hlutlausri sápu. Skolaðu og þurrkaðu vel.

- Þurrkaðu hurðarþéttingarnar reglulega.

### 6.3 Ísskápurinn affrystur

Þíðing kælihólsins er sjálfvirk. Vatnið sem þéttist rennur inn í móttakara á þjöppunni og gufar upp. Ekki er hægt að fjarlægja móttakarann.

### 6.4 Affrýsting frystisins

Frystihólfíð er hrímlaust. Það er ekkert hrími á innanverðum veggjum rýmisins né á matvörunni þegar heimilistækið er í gangi.

### 6.5 Tímabundið ekki í notkun

Þegar heimilistækið er ekki í notkun til lengri tíma, skal grípa til eftirfarandi ráðstafana:

1. Aftengja tækið frá rafmagni.
2. Fjarlægja allan mat.
3. Hreinsa heimilistækið og alla aukahluti þess.
4. Hafa skal hurðirnar opnar til að koma í veg fyrir vonda lykt.

## 7. BILANALET

### **AÐVÖRUN!**

Sjá kafla um öryggismál.

### 7.1 Hvað skal gera ef...

Vandamál	Möguleg ástæða	Lausn
Heimilistækið virkar ekki.	Slökkt er á heimilistækinu.	Kveiktu á heimilistækinu.

Vandamál	Möguleg ástæða	Lausn
	Rafmagnsklóin er ekki rétt tengd við rafmagnsinnstunguna.	Tengdu klóna við rafmagnsinnstunguna með réttum hætti.
	Það er ekkert rafmagn á rafmagnsinnstungunni.	Tengdu annað raftæki við rafmagnsinnstunguna. Hafðu samband við faglærðan rafvirkja.
Heimilistækið gefur frá sér mikinn hávaða.	Heimilistækið er ekki með réttan stuðning.	Kannaðu hvort heimilistækið sé stöðugt.
Heyranleg eða sjónræn aðvörun er í gangi.	Nýlega hefur verið kveikt á skápn-um.	Sjá „Aðvörun um háan hita“ eða „Aðvörun fyrir opna hurð“.
	Hitastig heimilistækisins er of hátt.	Sjá „Aðvörun um háan hita“ eða „Aðvörun fyrir opna hurð“.
	Hurðin hefur verið skilin eftir opin.	Lokaðu hurðinni.
Þjappan gengur samfelld.	Hitastig er rangt stillt.	Sjá „Stjórnborð“ kaflann.
	Of mikið magn af matvöru er sett inn í einu.	Bíddu í nokkrar klukkustundir og athugaðu svo hitastigið aftur.
	Stofuhitinn er of hár.	Sjá „Uppsetning“ kaflann.
	Matvara sem látin er í heimilistækið er of heit.	Leyfðu matvörunni að kólna að stofuhita áður en hún er sett inn til geymslu.
	Hurðin er ekki nægilega vel lokað.	Sjá „Hurðinni lokað“ hlutann.
	Kveikt er á Extra Freeze aðgerðinni.	Sjá kaflann „Extra Freeze Aðgerð“.
Þjappan fer ekki strax í gang eftir að ýtt er á „Extra Freeze“, eða eftir að hitastigi er breytt.	Þjappan ræsist eftir nokkurn tíma.	Þetta er eðlilegt, engin villa hefur komið upp.
Hurðin er skökk eða rekst í loftræst-iristina.	Tækið er ekki lárétt.	Sjá leiðbeiningar um uppsetningu.
Hurð opnast ekki auðveldlega.	Þú reyndir að opna hurðina aftur strax eftir að þú lokaðir henni.	Bíddu í nokkrar sekúndur á milli þess að loka og opna hurðina aftur.
Ljósíð virkar ekki.	Ljósíð er í reiðuham.	Lokaðu og opnaðu hurðina.
	Ljósíð er bilað.	Hafðu samband við viðurkenndu þjónustumiðstöðina.
Það er of mikið hrím og klaki.	Hurðin er ekki nægilega vel lokað.	Sjá „Hurðinni lokað“ hlutann.
	Þéttiborðinn er afmyndaður eða óhr-einn.	Sjá „Hurðinni lokað“ hlutann.
	Matvælum er ekki rétt pakkað inn.	Pakkaðu matvælum rétt inn.
	Hitastig er rangt stillt.	Sjá „Stjórnborð“ kaflann.
	Heimilistækið er fullhlaðið og er stillt á lægsta hitastig.	Stilltu hærra hitastig. Sjá „Stjórnborð“ kaflann.
	Hitastigið sem stillt er á heimilistæk-inu er of lágt og umhverfishitastig er of hátt.	Stilltu hærra hitastig. Sjá „Stjórnborð“ kaflann.



Vandamál	Möguleg ástæða	Lausn
Vatnið flæðir á afturplötu kælistápsins.	Á meðan á sjálfvirka affrystingarferlinu stendur, bræðir það frostið á afturplötunni.	Þetta er í lagi.
Of mikið vatn þéttist innan í kælinum.	Hurðin var opnuð of oft.  Hurðinni var ekki lokað til fulls.	Opnaðu hurðina aðeins þegar nauðsynlegt er.  Gakktu úr skugga um að hurðinni sé lokað til fulls.
	Geymdum mat var ekki pakkað.	Pakkaðu mat í hentugar pakkningar áður en þú setur hann í heimilistæk-ið.
	Það er eðlilegt að yfir sumarið og haustið geti myndast meiri þétting vegna aukins lofts og raka í matvæl-um. Kælirinn framleiðir engan raka. Eftir þetta tímabil minnkar rakastigið í kælinum af sjálfu sér.	Á sumrin og haustin skaltu stilla hitastigið í kælinum hærra (u.þ.b. 6-7°C).
Það eru vatnsdropar á glerhillunum.	Það er of mikill raki inni í kælinum.	Þurrkaðu vatnsdropana af glerhillun-um með mjúku klút.
Vatn flæðir á gólfinu.	Vatnsbræðsluúttakið er ekki tengt við uppgufunarbakkann fyrir ofan þjökkpuna.	Tengdu vatnsbræðsluúttakið við uppgufunarbakkann.
Ekki er hægt að stilla hitastigið.	Kveikt er á Extra Freeze aðgerð.	Slökktu handvirkt á Extra Freeze að-gerð, eða bíddu þar til hún afvirkjast sjálfkrafa. Sjá kaflana „Extra Freeze Aðgerð“.
Hitastig heimilistækisins er of lágt/hátt.	Hitastigið er ekki rétt stillt.	Stilltu hitastigið hærra/lægra.
	Hurðin er ekki nægilega vel lokað.	Sjá „Hurðinni lokað“ hlutann.
	Matvælin eru of heit.	Láttu matvöruna kólna fyrir geymslu.
	Of mikið af matvöru er geymd í einu.	Geymdu minna af matvöru í einu.
	Hurðin hefur verið opnuð of oft.	Opnaðu hurðina aðeins ef nauðsyn krefur.
	Kveikt er á Extra Freeze aðgerðinni.	Sjá kaflann „Extra Freeze Aðgerð“.
	Það er ekkert kalt loffflæði í heimilis-tækini.	Gakktu úr skugga um að það sé kalt loffflæði í heimilistækini. Sjá kaflann „Ábendingar og góð ráð“.
Fimmtil hitastigsvísirinn blikkar.	Samskiptavandi.	Hafðu samband við viðurkennda þjónustumiðstöð. Kælikerfið mun halda áfram að halda matvöru kal-dri, en aðlögun hitastigs verður ekki möguleg.
Fyrsti eða annar hitastigsvísir blikkar.	Vandamál með hitaskynjara.	Hafðu samband við viðurkennda þjónustumiðstöð. Kælikerfið mun halda áfram að halda matvöru kal-dri, en aðlögun hitastigs verður ekki möguleg.



Ef vandamálið hverfur ekki skaltu hafa samband við viðurkennda þjónustumiðstöð.

## 7.2 Skipt um ljósið

Hafðu samband við viðurkennda þjónustumiðstöð til að fá nýja peru.

## 7.3 Hurðinni lokað

1. Þrífðu þéttborða hurðarinnar.
2. Skoðaðu uppsetningarleiðbeiningar til að stilla hurðina.
3. Til að skipta um gallaðar hurðarþéttingar skaltu hafa samband við viðurkennda þjónustumiðstöð.

# 8. TÆKNILEGAR UPPLÝSINGAR

Tæknilegar upplýsingar eru á merkiplötunni, á ytri eða innri hlið heimilistækisins og á orkumerkimiðanum.

QR-kóðinn á orkumerkingunni sem fylgir þessu tæki, gefur upp tengil á vefsíðu varðandi upplýsingar um frammiðstöðu tækisins í gagnagrunni EU EPREL. Geymdu orkumerkimiðann til uppflettingar ásamt notandahandbókinni og öllum öðrum skjölum sem fylgja með þessu heimilistæki.

Það er einnig mögulegt að nálgast sömu upplýsingar í EPREL með því að nota tengilinn: <https://eprel.ec.europa.eu> og gerðarheiti og framleiðslunúmer sem finna má á merkiplötu heimilistækisins.


Skoðaðu tengilinn [www.theenergylabel.eu](http://www.theenergylabel.eu) varðandi ítarlegar upplýsingar um orkumerkingar.


# 9. UPPLÝSINGAR FYRIR PRÓFUNARSTOFNANIR

Uppsetning og undirbúningur heimilistækisins fyrir EcoDesign-vottun verður að samræmast EN 62552 (EU). Loftræstingarkröfur, stærðir skotsins og lágmarksbil að aftan verður að vera eins og tilgreint er í „Uppsetning“ í

þessari notandahandbók. Hafðu samband við framleiðanda fyrir allar frekari upplýsingar, þar með talið hleðsluáætlanir.

# 10. UMHVERFISMÁL

Endurvinnna þarf öll efni merkt táknuinu . Setjið umbúðirnar í viðeigandi sorpilát til endurvinnslu. Leggið ykkar að mörkum til verndar umhverfinu og heilsu manna og dýra og endurvinnið rusl sem fylgir raftækjum og rafrænum búnaði. Hendið ekki

heimilistækjum sem merkt eru með táknuinu  í venjulegt heimilisrusl. Farið með vöruna í næstu endurvinnslustöð eða hafið samband við sveitarfélagið.

**¡Le damos la bienvenida a Electrolux! Gracias por elegir nuestro aparato.**



Obtener consejos, folletos, soluciones a problemas e información de servicio y reparación:  
[www.electrolux.com/support](http://www.electrolux.com/support)

Salvo modificaciones.

## CONTENIDO

1. INFORMACIÓN SOBRE SEGURIDAD.....	59
2. INSTRUCCIONES DE SEGURIDAD.....	61
3. PANEL DE CONTROL.....	64
4. USO DIARIO.....	65
5. CONSEJOS.....	67
6. CUIDADO Y LIMPIEZA.....	69
7. SOLUCIÓN DE PROBLEMAS.....	69
8. DATOS TÉCNICOS.....	72
9. INFORMACIÓN PARA INSTITUTOS DE PRUEBAS.....	72
10. ASPECTOS MEDIOAMBIENTALES.....	73

## 1. ⚠ INFORMACIÓN SOBRE SEGURIDAD

Antes de instalar y utilizar el aparato, lea atentamente las instrucciones facilitadas. El fabricante no se hace responsable de lesiones o daños producidos como resultado de una instalación o un uso incorrectos. Conserve siempre estas instrucciones en lugar seguro y accesible para futuras consultas.

### 1.1 Seguridad de niños y personas vulnerables

- Este aparato puede ser utilizado por niños de 8 años en adelante y personas cuyas capacidades físicas, sensoriales o mentales estén disminuidas o que carezcan de la experiencia y conocimientos suficientes para manejarlo, siempre que cuenten con las instrucciones o la supervisión sobre el uso del electrodoméstico de forma segura y comprendan los riesgos. Los niños de 3 a 8 años y las personas con discapacidades muy extensas y complejas pueden cargar y descargar el aparato siempre que hayan

sido debidamente instruidos. Es necesario mantener alejados del aparato a los niños de menos de 3 años salvo que estén bajo supervisión continua.

- Es necesario vigilar a los niños para que no jueguen con el aparato.
- La limpieza y mantenimiento de usuario del producto no podrán ser realizados por niños sin supervisión.
- Mantenga todo el material de embalaje fuera del alcance de los niños y deséchelo de forma adecuada.

## **1.2 Instrucciones generales de seguridad**

- Este aparato está diseñado únicamente para almacenar alimentos y bebidas.
- Este aparato está diseñado para uso doméstico en interiores.
- Este aparato se puede utilizar en oficinas, habitaciones de hotel, habitaciones de Bed&Breakfast, casas de campo y otros alojamientos similares donde dicho uso no exceda (en promedio) los niveles de uso doméstico.
- Para evitar la contaminación alimentaria, respete las siguientes instrucciones:
  - no abra la puerta durante largos periodos de tiempo;
  - limpie regularmente las superficies que pueden entrar en contacto con los alimentos y los sistemas de drenaje accesibles;
  - guarde la carne y el pescado crudos en recipientes adecuados en el frigorífico, de manera que no estén en contacto con otros alimentos ni goteen sobre ellos.
- **ADVERTENCIA:** Mantenga libres de obstrucciones las aberturas de ventilación del alojamiento del aparato o de la estructura empotrada.
- **ADVERTENCIA:** No utilice dispositivos mecánicos u otros medios para acelerar el proceso de descongelación, excepto los recomendados por el fabricante.
- **ADVERTENCIA:** No dañe el circuito de refrigerante.

- **ADVERTENCIA:** No utilice aparatos eléctricos dentro de los compartimentos de almacenamiento de alimentos del aparato, a menos que sean del tipo recomendado por el fabricante.
- No utilice agua pulverizada ni vapor para limpiar el aparato.
- Limpie el aparato con un paño suave humedecido. Utilice solo detergentes neutros. No utilice productos abrasivos, estropajos duros, disolventes ni objetos de metal.
- Cuando el aparato esté vacío durante un largo período, apáguelo, descongélelo, límpielo, séquelo y deje la puerta abierta para evitar que se desarrolle moho en el interior del aparato.
- No almacene sustancias explosivas tales como latas de aerosol con un propulsor inflamable en este aparato.
- Si el cable de alimentación sufre algún daño, el fabricante, su servicio técnico autorizado o un profesional tendrán que cambiarlo para evitar riesgos.

## 2. INSTRUCCIONES DE SEGURIDAD

### 2.1 Instalación

#### **ADVERTENCIA!**

Solo un técnico cualificado puede instalar el aparato.

- Retire todo el embalaje.
- No instale ni utilice un aparato dañado.
- No utilice el aparato antes de instalarlo en la estructura empotrada por motivos de seguridad.
- Siga las instrucciones específicas de instalación del aparato y sobre invertir la puerta que están en nuestro sitio web.
- Tenga cuidado al mover el aparato, porque es pesado. Utilice siempre guantes de protección y calzado cerrado.
- Asegúrese de que el aire pueda circular alrededor del aparato.
- En la primera instalación otras invertir el sentido de apertura de la puerta, espere al menos 4 horas antes de conectar el aparato al suministro eléctrico. Esto es para permitir que el aceite regrese al compresor.
- Desenchufe siempre el aparato de la toma de corriente antes de llevar a cabo cualquier operación, (por ejemplo cambiar el sentido de apertura de la puerta).
- No instale el aparato cerca de radiadores, cocinas, hornos o placas de cocción, a menos que se especifique lo contrario en las instrucciones de instalación.
- No exponga el aparato a la lluvia.
- No instale el aparato en lugares con luz solar directa.
- No instale este aparato en áreas excesivamente húmedas o frías.
- Cuando mueva el aparato, levántelo por el borde delantero para evitar rayar el suelo.
- Proteja el suelo de arañazos al invertir la puerta del aparato.
- El aparato contiene una bolsa de desecante. No se trata de un juguete. No es un alimento. No olvide desecharlo inmediatamente.

## 2.2 Conexión eléctrica

### **ADVERTENCIA!**

Riesgo de incendios y descargas eléctricas.

### **ADVERTENCIA!**

Al colocar el producto, asegúrese de que el cable de alimentación no queda atrapado o doblado.

### **ADVERTENCIA!**

No utilice adaptadores múltiples ni cables prolongadores.

- Asegúrese de que los parámetros de la placa de características son compatibles con los valores eléctricos del suministro eléctrico.
- El aparato debe conectarse a tierra.
- Utilice siempre una toma con aislamiento de conexión a tierra correctamente instalada.
- Si la toma de corriente doméstica no está conectada a tierra, conecte el aparato a una toma de tierra independiente de acuerdo con la normativa vigente, con el asesoramiento de un electricista cualificado.
- Asegúrese de no provocar daños en los componentes eléctricos (p. ej., enchufe, cable de alimentación, compresor). Póngase en contacto con el Centro de servicio autorizado o un electricista para cambiar los componentes eléctricos.
- El cable de alimentación debe permanecer por debajo del nivel del enchufe.
- Conecte el enchufe a la toma de corriente únicamente cuando haya terminado la instalación. Asegúrese de tener acceso al enchufe del suministro de red una vez finalizada la instalación.
- No desconecte el aparato tirando del cable de conexión a la red. Tire siempre del enchufe.

## 2.3 Uso

### **ADVERTENCIA!**

Existe riesgo de lesiones, quemaduras, descargas eléctricas o incendios.



El aparato contiene un gas inflamable, isobutano (R600a), un gas natural con alto grado de compatibilidad medioambiental. Tenga cuidado para no dañar el circuito de refrigerante que contiene isobutano.

- No cambie las especificaciones de este aparato.
- Está estrictamente prohibido usar el producto incorporado de forma autónoma.
- Este aparato está diseñado para utilizarse en un margen de temperatura ambiente de 10°C a 38°C. El margen de temperatura especificado garantiza un funcionamiento correcto del aparato.
- No utilice otros aparatos eléctricos (como máquinas de hacer helados) dentro de aparatos de refrigeración, salvo que el fabricante haya autorizado su utilización.
- Si se daña el circuito de refrigerante, asegúrese de que no haya llamas ni fuentes de ignición en la sala. Ventile la sala.
- No deje que los objetos calientes toquen las partes de plástico del aparato.
- No coloque refrescos en el congelador. De esta forma se creará presión en el contenedor de bebidas.
- No almacene gases ni líquidos inflamables en el aparato.
- No coloque productos inflamables o artículos mojados con productos inflamables dentro, cerca o sobre el aparato.
- No toque el compresor ni el condensador. Están calientes.
- No retire ni toque elementos del compartimento del congelador si sus manos están mojadas o húmedas.
- No vuelva a congelar los alimentos que se hayan descongelado.
- Siga las instrucciones del envase de los alimentos congelados.
- Envuelva los alimentos en cualquier material adecuado antes de ponerlos en el congelador.

- No permita que los alimentos entren en contacto con las paredes interiores de los compartimentos del aparato.

## 2.4 Iluminación interna

### **ADVERTENCIA!**

Riesgo de descarga eléctrica.

- Este producto contiene una o más fuentes de luz con clase de eficiencia energética F.
- En cuanto a la(s) bombilla(s) de este producto y las de repuesto vendidas por separado: Estas bombillas están destinadas a soportar condiciones físicas extremas en los aparatos domésticos, como la temperatura, la vibración, la humedad, o están destinadas a señalar información sobre el estado de funcionamiento del aparato. No están destinadas a utilizarse en otras aplicaciones y no son adecuadas para la iluminación de estancias domésticas.

## 2.5 Mantenimiento y limpieza

### **ADVERTENCIA!**

Podría sufrir lesiones o dañar el aparato.

- Antes de proceder con el mantenimiento, apague el aparato y desconecte el enchufe de la red.
- Este aparato contiene hidrocarburos en la unidad de refrigeración. Solo una persona cualificada debe realizar el mantenimiento y la recarga de la unidad.

## 2.6 Asistencia técnica

- Para reparar el aparato, póngase en contacto con el centro de servicio autorizado. Utiliza solamente piezas de repuesto originales.

- Tenga en cuenta que la autorreparación o la reparación no profesional puede tener consecuencias de seguridad y podría anular la garantía.
- Los siguientes repuestos están disponibles al menos durante 7 años después de que el modelo se haya retirado del mercado: termostatos, sensores de temperatura, placas de circuito impreso, fuentes de luz, manijas de puertas, bisagras de puertas, bandejas y cestas. Las juntas de las puertas están disponibles al menos durante 10 años tras la retirada del modelo. La duración puede ser mayor en su país. Visite nuestro sitio web para obtener más información.
- Tenga en cuenta que algunas de estas piezas de recambio solo están disponibles para los reparadores profesionales, y que no todas las piezas de recambio son relevantes para todos los modelos.

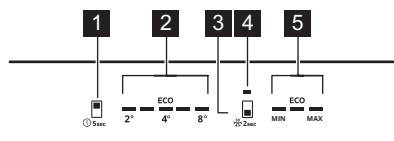
## 2.7 Desecho

### **ADVERTENCIA!**

Existe riesgo de lesiones o asfixia.

- Desconecte el aparato de la red.
- Corte el cable de conexión a la red y deséchelo.
- Retire la puerta para evitar que los niños y las mascotas queden encerrados en el aparato.
- El circuito del refrigerante y los materiales aislantes de este aparato no dañan la capa de ozono.
- La espuma aislante contiene gas inflamable. Póngase en contacto con las autoridades locales para saber cómo desechar correctamente el aparato.
- No dañe la parte de la unidad de refrigeración que está cerca del intercambiador de calor.

## 3. PANEL DE CONTROL



- 1** Botón del compartimento frigorífico / Botón de encendido/apagado (ON/OFF) del aparato
- 2** Indicadores de temperatura del frigorífico
- 3** Botón del compartimento congelador  
Tecla Extra Freeze
- 4** Indicador Extra Freeze
- 5** Indicadores de temperatura del congelador

### 3.1 Encendido/Apagado

#### Encendido

1. Introduzca el enchufe en la toma de corriente.
2. Mantenga pulsado el botón ON/OFF del aparato.

Los indicadores de temperatura muestran la temperatura ajustada por defecto.

#### Apagado

1. Mantenga pulsado el botón ON/OFF del aparato. Los indicadores de temperatura se apagan.
2. Desconecte el enchufe de la toma de corriente.

### 3.2 Regulación de temperatura



No es posible ajustar la temperatura cuando la función Extra Freeze está activada.

Ajuste la temperatura del aparato pulsando el botón del compartimento frigorífico o el botón del compartimento congelador.

Los indicadores de temperatura indican el nivel de temperatura ajustado.

El rango de temperatura puede variar entre 2°C y 8°C (recomendado 4°C).

El indicador ECO se enciende cuando se ajusta la temperatura recomendada.



La temperatura programada se alcanza en un plazo de 24 h. Después de un fallo de alimentación, el aparato restablece las temperaturas ajustadas.

### 3.3 Extra Freeze función

La función Extra Freeze se utiliza para realizar primero una congelación previa y después una congelación rápida del compartimento congelador. Esta función acelera la congelación de alimentos frescos e impide que se calienten los alimentos ya almacenados.



Para congelar alimentos frescos, activa la función Extra Freeze al menos 24 h antes de introducir los alimentos.

Mantenga pulsado el botón del compartimento congelador para activar la función Extra Freeze. Se enciende el indicador Extra Freeze.



Esta función se detiene después de un máximo de 52 h.

Para desactivar la función pulse el botón del compartimento congelador. Se apaga el indicador Extra Freeze .

### 3.4 Alarma de temperatura alta

Cuando la temperatura del compartimento congelador aumenta, el primer y tercer indicador de temperatura del congelador parpadean y el sonido se activa. Para desactivar la alarma durante 1 h, pulse cualquier botón. El sonido se desactiva. El primer y tercer indicador de temperatura del congelador permanecen encendidos durante



5 seg antes de volver a indicar la temperatura del congelador.

Tras 1 h, la alarma se reinicia hasta que se restablecen las condiciones normales.

Si no se pulsa ningún botón, el sonido se apaga tras 1 h.

### 3.5 Alarma de puerta abierta

Si la puerta del frigorífico se deja abierta durante aprox. 5 min, los indicadores de

temperatura del frigorífico parpadean y el sonido se activa.

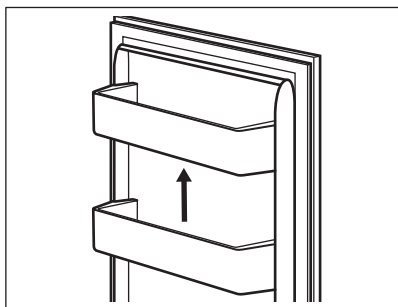
Pulse cualquier botón para apagar el sonido. El sonido se desactiva después de 1 h.

La alarma se desactiva después de cerrar la puerta.

## 4. USO DIARIO

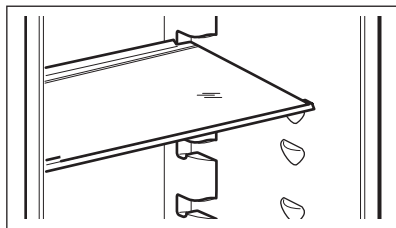
### 4.1 Colocación de los estantes de la puerta

Para facilitar el almacenamiento de los alimentos, los estantes de la puerta se pueden colocar a diferentes alturas. Tire del estante hacia arriba para volver a colocarlo en otra posición.



### 4.2 Estantes móviles

Las paredes del frigorífico disponen de guías deslizantes. Puede cambiar la posición de los estantes.



No coloque el estante de vidrio por encima del cajón de verduras para no impedir la correcta circulación del aire.

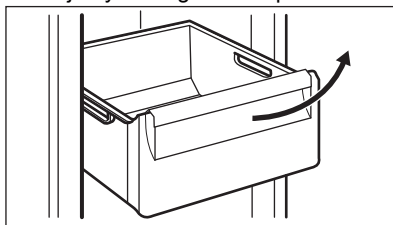
### 4.3 Cajón para verduras

En la parte inferior del aparato hay un cajón especial para guardar frutas y verduras.

### 4.4 Extracción de los cajones

Para extraer un cajón de un compartimento:

1. Tire del cajón hacia afuera hasta el tope.
2. Cuando llegue al final de las guías, levante ligeramente la parte delantera del cajón y extráigala del aparato.



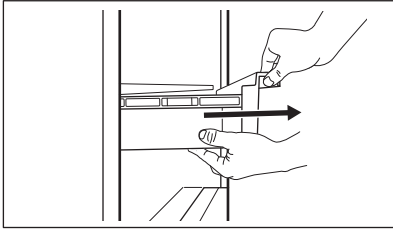
Para colocar el cajón en un compartimento, siga los pasos anteriores en orden inverso.

### 4.5 Extracción de ExtraChill

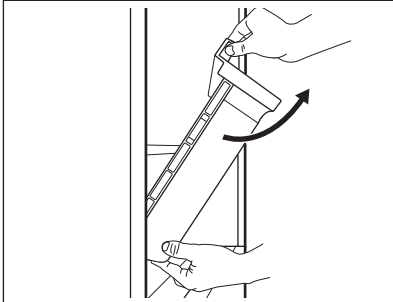
Hay un cajón encima del cajón de verduras.

Para retirar el cajón:

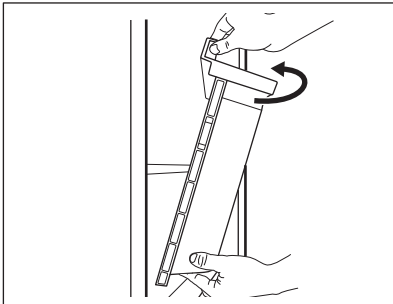
1. Tire hacia afuera del cajón del frigorífico.



2. Levante la parte delantera del cajón.

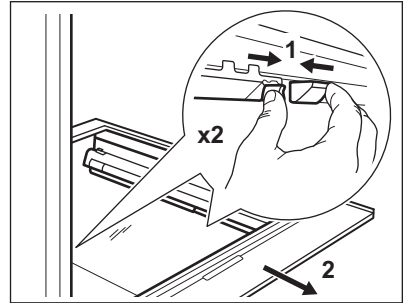


3. Levante y gire el cajón para sacarlo del aparato.



#### 4.6 Para retirar la cubierta de vidrio de los cajones

1. Desbloquee el agarre lateral desde ambos lados simultáneamente.

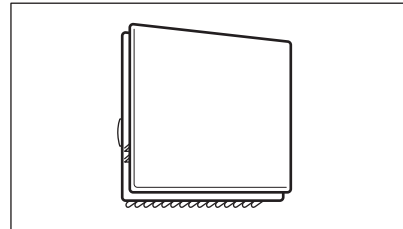


2. Tire del soporte del estante de cristal hacia usted.

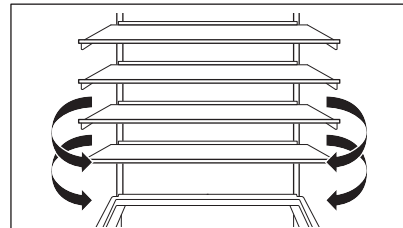
#### 4.7 MULTIFLOW

El compartimento frigorífico cuenta con un ventilador MULTIFLOW que permite enfriar los alimentos con rapidez y eficacia, manteniendo una temperatura uniforme dentro del compartimento.

El ventilador se pone en marcha automáticamente y solo funciona con la puerta cerrada.



No bloquee las salidas de aire.





No retire el panel MULTIFLOW. Para conocer las instrucciones de limpieza, consulte el capítulo "Cuidado y limpieza".

## 4.8 Congelación de alimentos frescos

Use el compartimento congelador para congelar alimentos frescos y conservar a largo plazo los alimentos congelados y ultracongelados.

Active la función Extra Freeze al menos 24 h antes de introducir los alimentos en el compartimento congelador.

Guarde los alimentos frescos distribuidos uniformemente en el primer compartimento o cajón desde la parte superior.

No supere la cantidad máxima de alimentos que se pueden congelar sin añadir otros alimentos frescos 24 h (consulte la placa de características).

Cuando haya finalizado el proceso de congelación, el aparato vuelve

automáticamente al ajuste de temperatura anterior (consulte "Función Extra Freeze").

Para obtener más información, consulte "Sugerencias para congelar".

## 4.9 Almacenamiento de alimentos congelados

Al poner en marcha un aparato por primera vez o tras un periodo sin uso, active la función Extra Freeze al menos durante 3 h antes de colocar productos en el compartimento congelador.

Para guardar gran cantidad de alimentos, retire los cajones y coloque la comida directamente en los estantes, separados al menos 15 mm de la puerta.

### PRECAUCIÓN!

Si ha estado desconectado del suministro eléctrico durante más tiempo que el valor que indica la placa de características bajo "tiempo de subida", los alimentos descongelados deben consumirse inmediatamente. Consulte "Alarma de temperatura alta".

## 5. CONSEJOS

### 5.1 Consejos para ahorrar energía

- Congelador: Su posición original garantiza el consumo de energía más eficiente.
- Frigorífico: La posición con los cajones en la parte inferior del aparato y los estantes distribuidos uniformemente garantiza el consumo más eficiente de energía. La posición de los contenedores de la puerta no afecta al consumo de energía.
- No abra la puerta con frecuencia ni la deje abierta más tiempo del necesario.
- Congelador: Cuanto más fría sea la temperatura ajustada, mayor será el consumo de energía.
- Frigorífico: No fije una temperatura demasiado alta a menos que lo requieran las características del alimento.
- Si la temperatura ambiente es elevada y el control de temperatura se ajusta a baja temperatura y el aparato está totalmente cargado, el compresor puede funcionar de manera continua, provocando la

formación de escarcha o hielo en el evaporador. En tal caso, ajuste el control de temperatura a un valor más elevado para permitir la descongelación automática.


- No cubra las rejillas o los orificios de ventilación.
- Asegúrese de que los productos alimenticios dentro del aparato permitan la circulación de aire a través de los orificios del interior trasero del aparato.

### 5.2 Sugerencias para congelar

- No congele las botellas o latas con líquidos, en particular las bebidas que contienen dióxido de carbono. Pueden explotar durante la congelación.
- No coloque alimentos calientes en el compartimento del congelador.
- No ponga alimentos frescos sin congelar directamente junto a alimentos ya congelados.

- No coma cubitos de hielo, sorbetes o helados inmediatamente después de sacarlos del congelador para evitar congelaciones.
- No vuelva a congelar los alimentos descongelados.

### 5.3 Consejos para el almacenamiento de alimentos congelados


- El compartimento congelador está marcado con .
- Un buen ajuste de la temperatura que garantice la conservación de los alimentos congelados es una temperatura inferior o igual a -18 °C.
- Una temperatura más alta en el interior del aparato puede reducir la vida útil.
- Todo el compartimento congelador es adecuado para el almacenamiento de alimentos congelados.
- Deje suficiente espacio alrededor de los alimentos para permitir que el aire circule libremente.

### 5.4 Vida útil en el congelador

Tipo de alimento	Vida útil (meses)
Pan	3
Frutas (excepto cítricos)	6 - 12
Verduras	8 - 10
Sobras sin carne	1 - 2
<b>Lácteos:</b>	
Mantequilla	6 - 9
Queso blando (p. ej. mozzarella)	3 - 4
Queso duro (p. ej. parmesano, cheddar)	6
<b>Marisco:</b>	
Pescado graso (p. ej. salmón, caballa)	2 - 3
Pescado magro (p. ej. bacalao, platija)	4 - 6
Langostinos	12
Almejas y mejillones desconchados	3 - 4
Pescado cocinado	1 - 2

Tipo de alimento	Vida útil (meses)
<b>Carne:</b>	
Aves	9 - 12
Vacuno	6 - 12
Cerdo	4 - 6
Cordero	6 - 9
Salchichas	1 - 2
Jamón	1 - 2
Sobras con carne	2 - 3

### 5.5 Consejos para la refrigeración de alimentos

- El compartimento de alimentos frescos está marcado con .
- Un buen ajuste de temperatura que asegure la conservación de los alimentos frescos es una temperatura menor o igual a +4°C.
- Utilice siempre recipientes cerrados para líquidos y para alimentos, para evitar sabores u olores en el compartimento.
- Para evitar la contaminación cruzada entre alimentos cocidos y crudos, cubra la comida cocinada y sepárela de la cruda.
- Envuelva y ponga la carne en el estante de vidrio sobre el cajón de las verduras.
- Descongelar alimentos dentro del frigorífico.
- No coloque alimentos calientes dentro del aparato.
- Limpie las frutas y verduras y colóquelas en el cajón correspondiente (cajón de verduras).
- No guarde frutas exóticas en el frigorífico.
- No guarde verduras como tomates, patatas, cebollas o ajos en el frigorífico.
- Cierre las botellas antes de meterlas en el frigorífico.

## 6. CUIDADO Y LIMPIEZA

### ADVERTENCIA!

Consulte los capítulos sobre seguridad.

### 6.1 Limpieza del interior

Antes del primer uso, limpie el interior y todos los accesorios con agua tibia y jabón neutro, secándolos a continuación.

### PRECAUCIÓN!

Los accesorios y las piezas del aparato no deben lavarse en lavavajillas.

### PRECAUCIÓN!

Limpie el panel de control con un paño húmedo. No utilice ningún detergente. Seque el panel de control con un paño suave.

### 6.2 Limpieza periódica

Limpie el equipo con regularidad:

- Limpie el interior y los accesorios con agua tibia y jabón neutro. Enjuáguelos y séquelos.
- Limpie las juntas de la puerta con regularidad.

### 6.3 Descongelación del frigorífico

La descongelación del compartimento frigorífico es automática. El agua que se condensa fluye a un recipiente del compresor y se evapora. El recipiente no se puede quitar.

### 6.4 Descongelación del congelador

El compartimento congelador no tiene escarcha. No hay acumulación de escarcha en las paredes internas ni en los alimentos cuando el aparato está en funcionamiento.

### 6.5 Periodos sin funcionamiento

Si el aparato no se utiliza durante un tiempo prolongado, tome las siguientes precauciones

1. Desconecte el aparato del suministro eléctrico.
2. Retire todos los alimentos.
3. Limpie el aparato y todos los accesorios.
4. Deje las puertas abiertas para evitar olores desagradables.

## 7. SOLUCIÓN DE PROBLEMAS

### ADVERTENCIA!

Consulte los capítulos sobre seguridad.

### 7.1 Qué hacer si...

Problema	Posible causa	Solución
El aparato no funciona.	El aparato está apagado.	Encienda el aparato.
	El enchufe no está bien conectado a la toma de corriente.	Conecte el aparato a la toma de corriente correctamente.
	No hay tensión en la toma de corriente.	Conecte un aparato diferente a la de corriente. Póngase en contacto con un electricista cualificado.

<b>Problema</b>	<b>Posible causa</b>	<b>Solución</b>
El aparato hace ruido.	El aparato no está bien apoyado.	Compruebe que los soportes del aparato están estables.
La alarma audible o visual está activada.	El armario se ha encendido hace poco.	Consulte "Alarma de temperatura alta" o "Alarma de puerta abierta".
	La temperatura del aparato es demasiado alta.	Consulte "Alarma de temperatura alta" o "Alarma de puerta abierta".
	La puerta se queda abierta.	Cierre la puerta.
El compresor funciona continuamente.	La temperatura se ha ajustado de manera incorrecta.	Consulte el capítulo "Panel de control".
	Ha puesto demasiados alimentos juntos al mismo tiempo.	Espere unas horas y vuelva a comprobar la temperatura.
	La temperatura ambiente es demasiado alta.	Consulte el capítulo "Instalación".
	Los alimentos introducidos en el aparato estaban demasiado calientes.	Deje que los alimentos se enfríen a temperatura ambiente antes de guardarlos.
	La puerta no está bien cerrada.	Consulte la sección "Cierre de la puerta".
El compresor no se pone en marcha inmediatamente después de pulsar "Extra Freeze", o tras cambiar la temperatura.	La función Extra Freeze está activada.	Consulte la sección "Función Extra Freeze".
	El compresor se pone en marcha al cabo de cierto tiempo.	Esto es normal, no se ha producido ningún error.
	La puerta está mal alineada o interfiere con la rejilla de ventilación.	Consulte las instrucciones de instalación.
La puerta no se abre fácilmente.	Ha intentado volver a abrir la puerta inmediatamente después de cerrarla.	Espere unos segundos entre el cierre y la reapertura de la puerta.
La bombilla no funciona.	La bombilla está en modo de espera.	Cierre y abra la puerta.
	La bombilla es defectuosa.	Póngase en contacto con el Centro de servicio autorizado.
Hay demasiada escarcha y hielo.	La puerta no está bien cerrada.	Consulte la sección "Cierre de la puerta".
	La junta de la puerta está sucia o deformada.	Consulte la sección "Cierre de la puerta".
	Los alimentos no están bien envueltos.	Envuelva los alimentos correctamente.
	La temperatura se ha ajustado de manera incorrecta.	Consulte el capítulo "Panel de control".
	El aparato está completamente cargado y ajustado a la temperatura más baja.	Seleccione una temperatura más alta. Consulte el capítulo "Panel de control".

<b>Problema</b>	<b>Posible causa</b>	<b>Solución</b>
	La temperatura ajustada en el aparato es demasiado baja y la temperatura ambiente demasiado alta.	Seleccione una temperatura más alta. Consulte el capítulo "Panel de control".
El agua fluye por la placa posterior del frigorífico.	Durante el proceso de descongelación automática, la escarcha se derrite en la placa posterior.	Es correcto.
Hay demasiada agua de condensación dentro del frigorífico.	La puerta se abre con demasiada frecuencia.	Abra la puerta solo cuando sea necesario.
	La puerta no se cierra completamente.	Asegúrese de que la puerta está cerrada completamente.
	Los alimentos guardados no están envueltos correctamente.	Envuelva los alimentos correctamente antes de guardarlos en el aparato.
	Es normal que durante el verano y el otoño se pueda formar más condensación debido al aumento de la humedad del aire y los alimentos. El frigorífico no produce humedad. Pasado este periodo, la humedad del frigorífico disminuye por sí sola.	En verano y otoño, suba la temperatura en el frigorífico (aprox. 6-7 °C).
Hay gotas de agua en los estantes de vidrio.	Hay demasiada humedad dentro del frigorífico.	Limpie los estantes de vidrio con un paño para eliminar las gotas de agua.
El agua fluye por el suelo.	La salida de agua de descongelación no está conectada a la bandeja de evaporación situada sobre el compresor.	Acople la salida de agua de descongelación a la bandeja de evaporación.
No se puede ajustar la temperatura.	La función Extra Freeze está activada.	Apague manualmente la función Extra Freeze, o espere hasta que la función se desactive automáticamente. Consulte la sección "Función Extra Freeze".
La temperatura del aparato es demasiado baja/alta.	La temperatura no se ha ajustado correctamente.	Seleccione una temperatura más alta/más baja.
	La puerta no está bien cerrada.	Consulte la sección "Cierre de la puerta".
	La comida está demasiado caliente.	Deje que los alimentos se enfríen antes de ponerlos dentro.
	Ha puesto demasiados alimentos juntos al mismo tiempo.	Guarde menos alimentos al mismo tiempo.
	La puerta se ha abierto con frecuencia.	Abra la puerta sólo si es necesario.
	La función Extra Freeze está activada.	Consulte la sección "Extra Freeze función".
	No hay circulación de aire frío en el aparato.	Asegúrese de que el aire frío circula con normalidad en el aparato. Consulte el capítulo "Consejos".

Problema	Posible causa	Solución
El quinto indicador de temperatura parpadea.	Problema de comunicación.	Póngase en contacto con el servicio técnico autorizado. El sistema de refrigeración seguirá manteniendo fríos los alimentos, pero no podrá ajustar la temperatura.
El primer o segundo indicador de temperatura parpadea.	Problema del sensor de temperatura.	Póngase en contacto con el servicio técnico autorizado. El sistema de refrigeración seguirá manteniendo fríos los alimentos, pero no podrá ajustar la temperatura.



Si el problema continúa, póngase en contacto con el Centro de servicio técnico.

## 7.2 Cambio de la bombilla

Póngase en contacto con un Centro de servicio autorizado para sustituir la lámpara.

## 7.3 Cierre de la puerta

1. Limpie las juntas de la puerta.
2. Para ajustar la puerta, consulte las instrucciones de instalación.
3. Para sustituir las juntas defectuosas de la puerta, póngase en contacto con un Centro de servicio autorizado.

## 8. DATOS TÉCNICOS

La información técnica se encuentra en la placa de datos técnicos situada en el interior del aparato y en la etiqueta de consumo energético.

El código QR de la etiqueta energética suministrada con el aparato proporciona un enlace web a la información relacionada con el rendimiento del aparato en la base de datos EPREL de la UE. Guarde la etiqueta energética como referencia junto con el manual de usuario y todos los demás documentos que se proporcionan con este aparato.

También puede encontrar la misma información en EPREL accediendo desde el enlace <https://eprel.ec.europa.eu> e introduciendo el nombre del modelo y el número de producto que se encuentran en la placa de datos técnicos del aparato.

Consulte el enlace [www.theenergylabel.eu](http://www.theenergylabel.eu) para obtener información detallada sobre la etiqueta energética.


## 9. INFORMACIÓN PARA INSTITUTOS DE PRUEBAS


La instalación y la preparación del aparato para cualquier verificación de EcoDesign deberá cumplir con EN 62552 (EU). Los requisitos de ventilación, las dimensiones de los huecos y las separaciones mínimas traseras serán los indicados en este manual

de usuario en "Instalación". Por favor, póngase en contacto con el fabricante para cualquier otra información adicional, incluyendo los planos de carga.



## 10. ASPECTOS MEDIOAMBIENTALES

Recicle los materiales con el símbolo . Coloque el material de embalaje en los contenedores adecuados para su reciclaje. Ayude a proteger el medio ambiente y la salud pública, así como a reciclar residuos de aparatos eléctricos y electrónicos. No

deseche los aparatos marcados con el símbolo  junto con los residuos domésticos. Lleve el producto a su centro de reciclaje local o póngase en contacto con su oficina municipal.





**electrolux.com**

222383893-A-412024

