

ERS3DE39W
ERS3DE39X
ERS3DE39K

EN User Manual | **Refrigerator**

2

IS Notendaleiðbeiningar | **Ísskápur**

17



Welcome to Electrolux! Thank you for choosing our appliance.



Get usage advice, brochures, trouble shooter, service and repair information:
www.electrolux.com/support

Subject to change without notice.

CONTENTS

1. SAFETY INFORMATION.....	2
2. SAFETY INSTRUCTIONS.....	4
3. INSTALLATION.....	6
4. OPERATION.....	8
5. DAILY USE.....	10
6. HINTS AND TIPS.....	11
7. CARE AND CLEANING.....	11
8. TROUBLESHOOTING.....	12
9. NOISES.....	15
10. TECHNICAL DATA.....	15
11. INFORMATION FOR TEST INSTITUTES.....	15
12. ENVIRONMENTAL CONCERNS.....	16

1. SAFETY INFORMATION

Before the installation and use of the appliance, carefully read the supplied instructions. The manufacturer is not responsible for any injuries or damage that are the result of incorrect installation or usage. Always keep the instructions in a safe and accessible location for future reference.

1.1 Children and vulnerable people safety

- This appliance can be used by children aged from 8 years and above and persons with reduced physical, sensory or mental capabilities or lack of experience and knowledge if they have been given supervision or instruction concerning the use of the appliance in a safe way and understand the hazards involved. Children aged from 3 to 8 years and persons with very extensive and complex disabilities are allowed to load and unload the appliance provided that they have been properly instructed. Children of less than 3 years

of age should be kept away from the appliance unless continuously supervised.

- Children should be supervised to ensure that they do not play with the appliance.
- Children shall not carry out cleaning and user maintenance of the appliance without supervision.
- Keep all packaging away from children and dispose of it appropriately.

1.2 General Safety

- This appliance is for storing food and beverages only.
- This appliance is designed for single household domestic use in an indoor environment.
- This appliance may be used in, offices, hotel guest rooms, bed & breakfast guest rooms, farm guest houses and other similar accommodation where such use does not exceed (average) domestic usage levels.
- To avoid contamination of food respect the following instructions:
 - do not open the door for long periods;
 - clean regularly surfaces that can come in contact with food and accessible drainage systems;
 - store raw meat and fish in suitable containers in the refrigerator, so that it is not in contact with or drip onto other food.
- **WARNING:** Keep ventilation openings, in the appliance enclosure or in the built-in structure, clear of obstruction.
- **WARNING:** Do not use mechanical devices or other means to accelerate the defrosting process, other than those recommended by the manufacturer.
- **WARNING:** Do not damage the refrigerant circuit.
- **WARNING:** Do not use electrical appliances inside the food storage compartments of the appliance, unless they are of the type recommended by the manufacturer.
- Do not use water spray and steam to clean the appliance.

- Clean the appliance with a moist soft cloth. Only use neutral detergents. Do not use abrasive products, abrasive cleaning pads, solvents or metal objects.
- When the appliance is empty for long period, switch it off, defrost, clean, dry and leave the door open to prevent mould from developing within the appliance.
- Do not store explosive substances such as aerosol cans with a flammable propellant in this appliance.
- If the supply cord is damaged, it must be replaced by the manufacturer, its Authorised Service Centre or similarly qualified persons in order to avoid a hazard.

2. SAFETY INSTRUCTIONS

2.1 Installation

WARNING!

Only a qualified person must install this appliance.

- Remove all the packaging.
- Do not install or use a damaged appliance.
- Follow the installation instructions supplied with the appliance.
- Always take care when moving the appliance as it is heavy. Always use safety gloves and enclosed footwear.
- Make sure the air can circulate around the appliance.
- At first installation or after reversing the door wait at least 4 hours before connecting the appliance to the power supply. This is to allow the oil to flow back in the compressor.
- Before carrying out any operations on the appliance (e.g. reversing the door), remove the plug from the power socket.
- Do not install the appliance close to radiators or cookers, ovens, or hobs, unless otherwise specified in the installation instructions.
- Do not expose the appliance to the rain.
- Do not install the appliance where there is direct sunlight.
- Do not install this appliance in areas that are too humid or too cold.

- When you move the appliance, lift it by the front edge to avoid scratching the floor.

2.2 Electrical connection

WARNING!

Risk of fire and electric shock.

WARNING!

When positioning the appliance, ensure the supply cord is not trapped or damaged.

WARNING!

Do not use multi-plug adapters and extension cables.

- The appliance must be earthed.
- Make sure that the parameters on the rating plate are compatible with the electrical ratings of the mains power supply.
- Always use a correctly installed shockproof socket.
- Make sure not to cause damage to the electrical components (e.g. mains plug, mains cable, compressor). Contact the Authorised Service Centre or an electrician to change the electrical components.
- The mains cable must stay below the level of the mains plug.

- Connect the mains plug to the mains socket only at the end of the installation. Make sure that there is access to the mains plug after the installation.
- Do not pull the mains cable to disconnect the appliance. Always pull the mains plug.

2.3 Use

WARNING!

Risk of injury, burns, electric shock or fire.



The appliance contains flammable gas, isobutane (R600a), a natural gas with a high level of environmental compatibility. Be careful not to cause damage to the refrigerant circuit containing isobutane.

- Do not change the specification of this appliance.
- Do not put electrical appliances (e.g. ice cream makers) in the appliance unless they are stated applicable by the manufacturer.
- If damage occurs to the refrigerant circuit, make sure that there are no flames and sources of ignition in the room. Ventilate the room.
- Do not let hot items to touch the plastic parts of the appliance.
- Do not store flammable gas and liquid in the appliance.
- Do not put flammable products or items that are wet with flammable products in, near or on the appliance.
- Do not touch the compressor or the condenser. They are hot.
- Do not allow food to come in contact with the inner walls of the appliance compartments.

2.4 Internal lighting

WARNING!

Risk of electric shock.

- This product contains one or more light sources of energy efficiency class F.
- Concerning the lamp(s) inside this product and spare part lamps sold separately: These lamps are intended to withstand

extreme physical conditions in household appliances, such as temperature, vibration, humidity, or are intended to signal information about the operational status of the appliance. They are not intended to be used in other applications and are not suitable for household room illumination.

2.5 Care and cleaning

WARNING!

Risk of injury or damage to the appliance.

- Before maintenance, deactivate the appliance and disconnect the mains plug from the mains socket.
- This appliance contains hydrocarbons in the cooling unit. Only a qualified person must do the maintenance and the recharging of the unit.
- Regularly examine the drain of the appliance and if necessary, clean it. If the drain is blocked, defrosted water collects in the bottom of the appliance.

2.6 Service

- To repair the appliance contact the Authorised Service Centre. Use original spare parts only.
- Please note that self-repair or non-professional repair can have safety consequences and might void the guarantee.
- The following spare parts will be available for 7 years after the model has been discontinued: thermostats, temperature sensors, printed circuit boards, light sources, door handles, door hinges, trays and baskets. Please note that some of these spare parts are only available to professional repairers, and that not all spare parts are relevant for all models.
- Door gaskets will be available for 10 years after the model has been discontinued.

2.7 Disposal

WARNING!

Risk of injury or suffocation.

- Disconnect the appliance from the mains supply.
- Cut off the mains cable and discard it.
- Remove the door to prevent children and pets to be closed inside of the appliance.
- The refrigerant circuit and the insulation materials of this appliance are ozone-friendly.

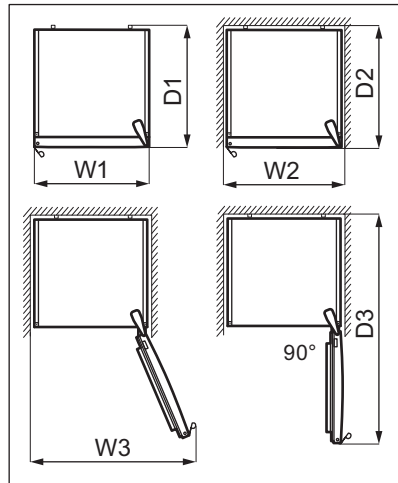
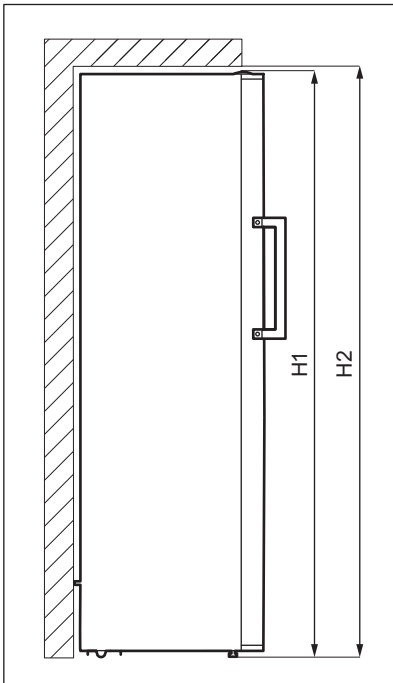
- The insulation foam contains flammable gas. Contact your municipal authority for information on how to discard the appliance correctly.
- Do not cause damage to the part of the cooling unit that is near the heat exchanger.

3. INSTALLATION

⚠ WARNING!

Refer to Safety chapters.

3.1 Dimensions



Overall dimensions ¹

H1	mm	1860
W1	mm	595

Overall dimensions ¹

D1	mm	650
----	----	-----

¹ the height, width and depth of the appliance without the handle

Space required in use ²		
H2	mm	1900
W2	mm	600
D2	mm	718

² the height, width and depth of the appliance including the handle, plus the space necessary for free circulation of the cooling air

Overall space required in use ³		
H2	mm	1900
W3	mm	649
D3	mm	1224

³ the height, width and depth of the appliance including the handle, plus the space necessary for free circulation of the cooling air, plus the space necessary to allow door opening to the minimum angle permitting removal of all internal equipment

3.2 Location

This appliance is not intended to be used as a built-in appliance.

In case of different installation from freestanding respecting space required in use dimensions, the appliance will function correctly but energy consumption might increase slightly.

To ensure appliance's best functionality, you should not install the appliance in the nearby of the heat source (oven, stoves, radiators, cookers or hobs) or in a place with direct sunlight. Make sure that air can circulate freely around the back of the cabinet.

This appliance should be installed in a dry, well ventilated indoor position.

To ensure best performance, if the appliance is positioned below an overhanging wall unit, the minimum distance between the top of the cabinet shall be maintained. Ideally, however, the appliance should not be positioned below overhanging wall units. One or more adjustable feet at the base of the cabinet ensure that the appliance stands level.

CAUTION!

If you position the appliance against the wall, use back spacers provided or keep the minimum distance indicated in the installation instructions.

CAUTION!

If you install the appliance next to a wall, refer to the installation instructions to understand the minimum distance between the wall and the side of the appliance where door hinges are to provide enough space to open the door when the internal equipment is removed (e.g. when cleaning).

This appliance is intended to be used at ambient temperature ranging from 10°C to 43°C.



The correct operation of the appliance can only be guaranteed within the specified temperature range.



If you have any doubts regarding where to install the appliance, please turn to the vendor, to our customer service or to the nearest Authorised Service Centre.



It must be possible to disconnect the appliance from the mains power supply. The plug must therefore be easily accessible after installation.

3.3 Electrical connection

- Before plugging in, ensure that the voltage and frequency shown on the rating plate correspond to your domestic power supply.
- The appliance must be earthed. The power supply cable plug is provided with a contact for this purpose. If the domestic power supply socket is not earthed, connect the appliance to a separate earth in compliance with current regulations, consulting a qualified electrician.

- The manufacturer declines all responsibility if the above safety precautions are not observed.

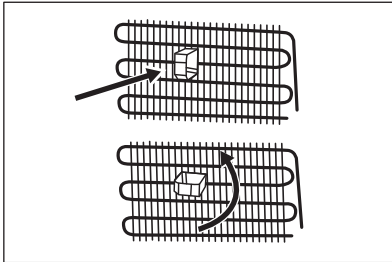
3.4 Levelling

When placing the appliance make sure that it stands level. This can be achieved by two adjustable feet at the bottom in front.

3.5 Rear spacers

In the bag with the documentation, there are two spacers which must be fitted as shown in the figure.

If you position the appliance against a wall in a freestanding installation, install the rear spacers in order to guarantee the minimum distance required for air circulation.



3.6 Door reversibility

Please refer to the separate document with instructions on installation and door reversal.

CAUTION!

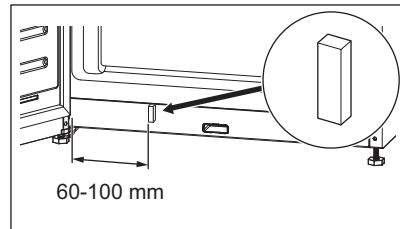
At every stage of reversing the door protect the floor from scratching with a durable material.

3.7 Easy opening

The cooling air contracts inside the appliance causing suction, making it difficult to open the door. To make opening the appliance easier, use an adhesive overlay from the bag with documentation.

To install the overlay:

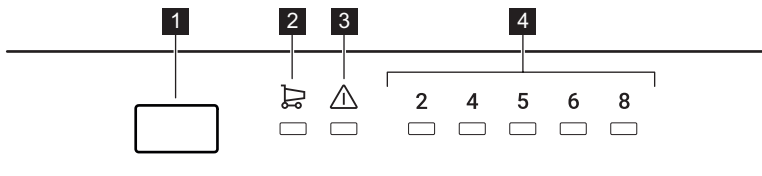
1. Peel off the liner from the back of the overlay.
2. Stick the overlay on the frame at the bottom of the appliance, at a distance of min. 60 mm to 100 mm from the hinge.



Keep the overlay away from children.
Hazard of swallowing.

4. OPERATION

4.1 Control panel



- 1** Temperature regulation button
- 2** Super Cool indicator
- 3** Alarm indicator

- 4** Temperature indicators

4.2 Switching on and off

To switch on the appliance, insert the plug into the wall socket.



When the appliance is switched on for the first time, the interior light may turn on after a one-minute delay due to opening tests.

To switch off the appliance, unplug it.

4.3 Temperature regulation

Recommended set temperature is:

- +4°C for the fridge.

The temperature range may vary between 2°C and 8°C.

To set the temperature of the appliance, press the temperature regulation button repeatedly until you reach the desired temperature of the compartment.

Choose the setting keeping in mind that the temperature inside the appliance depends on:

- room temperature,
- frequency of opening the door,
- quantity of food stored,
- appliance location.

A medium setting is generally the most suitable one.

The temperature indicators show the set temperature.



The set temperature will be reached within 24 hours.

4.4 Super Cool function

If you need to insert a large amount of food at ambient temperature into the fridge compartment, for example after doing the grocery shopping, we suggest activating the Super Cool function to cool the products more rapidly and to avoid warming another food which is already in the compartment.

This function stops automatically after a maximum of 5 hours or when the sensor reaches the lowest temperature for the fridge compartment (1-3°C).

You can deactivate the Super Cool function before its automatic end by repeating the procedure until the Super Cool indicator turns off or by selecting a different temperature of the fridge compartment.

4.5 Alarm

In case of cooling issues, power interruptions or significant temperature changes inside your appliance, the alarm indicator lights up red and the sound is on.



The alarm may light when you plug the appliance for the first time.

Refer to the "Troubleshooting" chapter for more possible causes of triggering the alarm, and solutions on how to deactivate it.

4.6 Standby mode

Activate the Standby mode to switch off the cooling function and therefore lower the energy consumption of the appliance.

To activate the Standby mode:

1. Set the temperature for 2°C. Refer to the "Temperature regulation" section.
2. Press and hold the temperature regulation button until all temperature indicators blink 3 times.



If you press the temperature regulation button while the Standby mode is on, all temperature indicators blink 3 times.

You can deactivate the Standby mode by repeating the above procedure.



During the Standby mode, the temperature inside the appliance may rise above the set 2°C. If that happens after the mode deactivates, the alarm indicator lights and the sound is on. When the appliance automatically lowers the temperature, the alarm indicator and the sound alarm deactivate.

5. DAILY USE

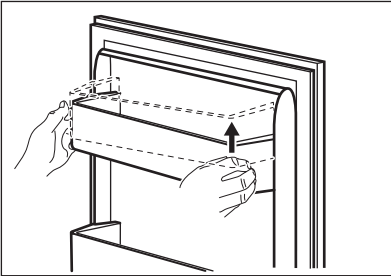
CAUTION!

This refrigerating appliance is not suitable for freezing foodstuffs.

5.1 Removing and installing the door shelf

To remove the door shelf:

1. Hold the left side of the shelf.
2. Lift the right side of the shelf until it comes free from the fastener.

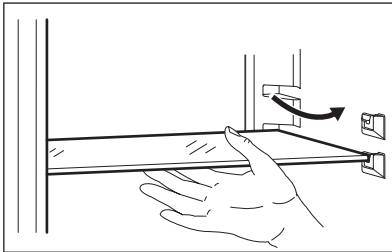


3. Lift the left side of the shelf and remove it. To put the shelf back in:

1. Place the shelf flat on the door.
2. Push two sides of the shelf downwards at the same time so that the shelf fits both fasteners.

5.2 Movable shelves

The walls of the refrigerator compartment are equipped with a series of runners so that the shelves can be positioned as desired.



i

To ensure correct air circulation, do not move the glass shelf above the vegetable drawer.

5.3 Vegetable drawer

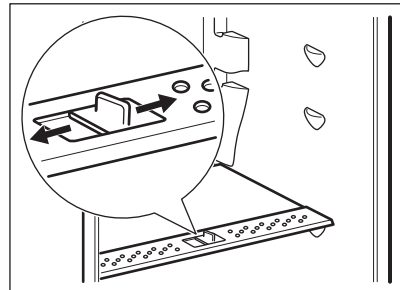
There is a special drawer in the bottom part of the appliance suitable for storage of fruits and vegetables.

5.4 Humidity control

The glass shelf incorporates a device with slits (adjustable by means of a sliding lever), which makes it possible to regulate the humidity in the vegetable drawer(s).

i

Do not place any food products on the humidity control device.



The position of the humidity control depends on the type and on the amount of fruits and vegetables:

- Slots closed: recommended when there is a small amount of fruits and vegetables. In this way, the natural moisture content in fruits and vegetables is preserved longer.
- Slots opened: recommended when there is a big amount of fruits and vegetables. In this way, more air circulation results in a lower air moisture.

5.5 Fan

The refrigerator compartment is equipped with a device that allows rapid cooling of food

and keeps a more uniform temperature in the compartment.

This device activates automatically when needed.



Do not block the air inlet and outlet openings when storing food, otherwise air circulation provided by the fan will be impaired.

6. HINTS AND TIPS

6.1 Hints for energy saving

- Most efficient use of energy is ensured in the configuration with the drawers in the bottom part of the appliance and shelves evenly distributed. Position of the door bins does not affect energy consumption.
- Do not open the door frequently or leave it open longer than necessary.
- Do not set too high temperature to save energy unless it is required by the characteristics of the food.
- Ensure a good ventilation. Do not cover the ventilation grilles or holes.
- Make sure that food products inside the appliance allow air circulation through dedicated holes in the rear interior of the appliance.

6.2 Hints for fresh food refrigeration

- Good temperature setting that ensures preservation of fresh food is a temperature less than or equal to +4°C. Higher temperature setting inside the appliance may lead to shorter shelf life of food.
- Cover the food with packaging to preserve its freshness and aroma.
- Always use closed containers for liquids and for food, to avoid flavours or odours in the compartment.
- To avoid the cross-contamination between cooked and raw food, cover the cooked food and separate it from the raw one.

- It is recommended to defrost the food inside the fridge.
- Do not insert hot food inside the appliance. Make sure it has cooled down at room temperature before inserting it.
- To prevent food waste the new stock of food should always be placed behind the old one.

6.3 Hints for food refrigeration

- Fresh food compartment is the one marked (on the rating plate) with
- Fruit and vegetables: clean thoroughly (eliminate the soil) and place in a special drawer (vegetable drawer).
- It is advisable not to keep the exotic fruits like bananas, mangos, papayas etc. in the refrigerator.
- Vegetables like tomatoes, potatoes, onions, and garlic should not be kept in the refrigerator.
- Butter and cheese: place in an airtight container or wrap in an aluminium foil or a polythene bag to exclude as much air as possible.
- Bottles: close them with a cap and place them on the door bottle shelf, or (if available) on the bottle rack.
- Always refer to the expiry date of the products to know how long to keep them.

7. CARE AND CLEANING



WARNING!

Refer to Safety chapters.

7.1 Cleaning the interior

Before using the appliance for the first time, the interior and all internal accessories should be washed with lukewarm water and some

neutral soap to remove the typical smell of a brand-new product, then dried thoroughly.

⚠ CAUTION!
Do not use detergents, abrasive powders, chlorine or oil-based cleaners as they will damage the finish.

⚠ CAUTION!
The accessories and parts of the appliance are not suitable for washing in a dishwasher.

7.2 Periodic cleaning

The equipment has to be cleaned regularly:

1. Clean the inside and accessories with lukewarm water and some neutral soap.
2. Regularly check the door seals and wipe them clean to ensure they are clean and free from debris.
3. Clean the condenser with a brush at least twice a year.

4. Clean the evaporator tray periodically to remove accumulated water.
5. Rinse and dry thoroughly.

7.3 Defrosting of the appliance

Frost is automatically eliminated from the evaporator of the refrigerator compartment every time the motor compressor stops, during normal use. The defrost water drains out through a trough into a special container at the back of the appliance, next to the motor compressor, where it evaporates.

7.4 Periods of non-operation

When the appliance is not in use for long periods, take the following precautions:

1. Disconnect the appliance from electricity supply.
2. Remove all food.
3. Clean the appliance and all accessories.
4. Leave the door open to prevent unpleasant smells.

8. TROUBLESHOOTING

⚠ WARNING!
Refer to Safety chapters.

8.1 What to do if...

Problem	Possible cause	Solution
The appliance does not operate.	The appliance is switched off.	Switch on the appliance.
	The mains plug is not connected to the mains socket correctly.	Connect the mains plug to the mains socket correctly.
	There is no voltage in the mains socket.	Connect a different electrical appliance to the mains socket. Contact a qualified electrician.
The appliance is noisy.	The appliance is not supported properly.	Check if the appliance stands stable.
The compressor operates continually.	Temperature is set incorrectly.	Refer to the "Operation" chapter.
	Many food products were put in at the same time.	Wait a few hours and then check the temperature again.
	The room temperature is too high.	Refer to the "Installation" chapter.

Problem	Possible cause	Solution
	Food products placed in the appliance were too warm.	Allow food products to cool to room temperature before storing.
	The door is not closed correctly.	Refer to the "Closing the door" section.
Door is misaligned or interferes with ventilation grill.	The appliance is not levelled.	Refer to the installation instructions.
Door does not open easily.	You attempted to re-open the door immediately after closing.	Wait a few seconds between closing and re-opening of the door.
The lamp does not work.	The lamp is in stand-by mode.	Close and open the door.
	The lamp is defective.	Contact the nearest Authorized Service Centre.
There is too much frost and ice.	The door is not closed correctly.	Refer to the "Closing the door" section.
	The gasket is deformed or dirty.	Refer to the "Closing the door" section.
	Food products are not wrapped properly.	Wrap the food products better.
	Temperature is set incorrectly.	Refer to the "Operation" chapter.
	Appliance is fully loaded and is set to the lowest temperature.	Set a higher temperature. Refer to the "Operation" chapter.
	Temperature set in the appliance is too low and the ambient temperature is too high.	Set a higher temperature. Refer to the "Operation" chapter.
Water flows on the rear plate of the refrigerator.	During the automatic defrosting process, frost melts on the rear plate.	This is correct. Dry the water with a soft cloth.
There is too much condensed water on the rear wall of the refrigerator.	Door was open too frequently.	Open the door only when necessary.
	Door was not closed completely.	Make sure the door is closed completely.
	Stored food was not wrapped.	Wrap food in suitable packaging before storing it in the appliance.
Water flows on the floor.	The melting water outlet is not connected to the evaporative tray above the compressor.	Attach the melting water outlet to the evaporative tray.
The temperature in the appliance is too low/too high.	The temperature is not set correctly.	Set a higher/lower temperature.
	The door is not closed correctly.	Refer to the "Closing the door" section.
	The food products' temperature is too high.	Let the food products temperature decrease to room temperature before storage.

Problem	Possible cause	Solution
	Many food products are stored at the same time.	Store less food products at the same time.
	The door has been opened often.	Open the door only if necessary.
	There is no cold air circulation in the appliance.	Make sure that there is cold air circulation in the appliance. Refer to the "Hints and tips" chapter.



If the advice does not lead to the desired result, call the nearest Authorized Service Centre.

8.2 Replacing the lamp

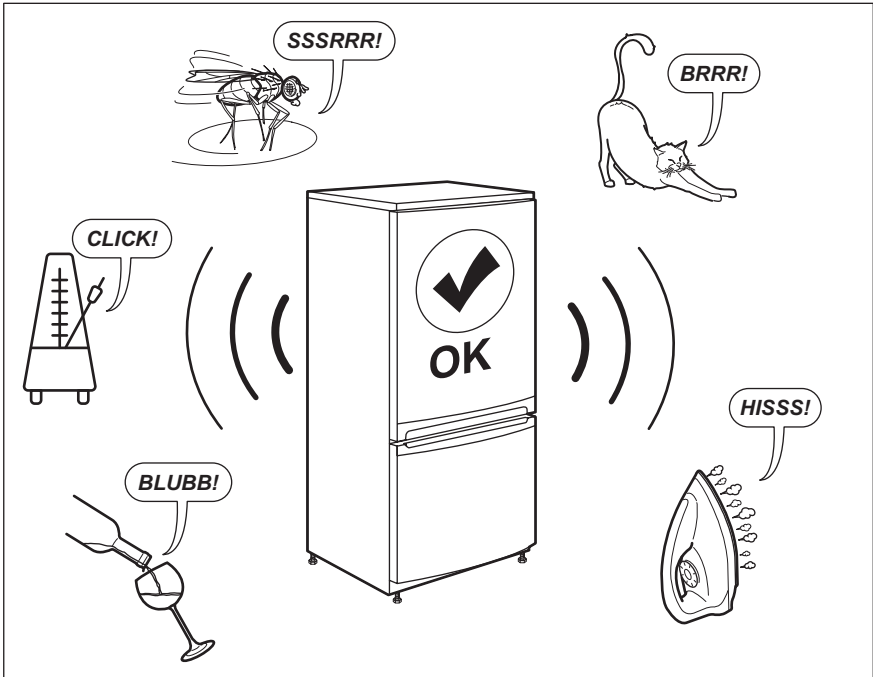
The appliance is equipped with a longlife LED interior light.

Only service is allowed to replace the lighting device. Contact your Authorised Service Centre.

8.3 Closing the door

1. Clean the door gaskets.
2. If necessary, adjust the door. Refer to the "Installation" chapter.
3. If necessary, replace the defective door gaskets. Contact the Authorised Service Centre.

9. NOISES



10. TECHNICAL DATA

The technical information is situated in the rating plate on the internal side of the appliance and on the energy label.

The QR code on the energy label supplied with the appliance provides a web link to the information related to the performance of the appliance in the EU EPREL database. Keep the energy label for reference together with the user manual and all other documents provided with this appliance.

It is also possible to find the same information in EPREL using the link <https://eprel.ec.europa.eu> and the model name and product number that you find on the rating plate of the appliance.


See the link www.theenergylabel.eu for detailed information about the energy label.


11. INFORMATION FOR TEST INSTITUTES

Installation and preparation of the appliance for any EcoDesign verification shall be compliant with EN 62552. Ventilation requirements, recess dimensions and

minimum rear clearances shall be as stated in this User Manual at Chapter 3. Please contact the manufacturer for any other further information, including loading plans.

12. ENVIRONMENTAL CONCERNS

Recycle materials with the symbol . Put the packaging in relevant containers to recycle it. Help protect the environment and human health by recycling waste of electrical and electronic appliances. Do not dispose of

appliances marked with the symbol  with the household waste. Return the product to your local recycling facility or contact your municipal office.

Velkomin(n) til Electrolux! Þakka þér fyrir að velja heimilistækið okkar.



Fá leiðbeiningar um notkun, bæklinga, bilanaleit, þjónustu- og viðgerðarupplýsingar.
www.electrolux.com/support

Með fyrirvara á breytingum.

EFNISYFIRLIT

1. ÖRYGGISUPPLÝSINGAR.....	17
2. ÖRYGGISLEIÐBEININGAR.....	19
3. UPPSETNING.....	21
4. NOTKUN.....	24
5. DAGLEG NOTKUN.....	25
6. ÁBENDINGAR OG GÓÐ RÁÐ.....	26
7. UMHIRÐA OG HREINSUN.....	27
8. BILANALET.....	27
9. HÁVAÐI.....	30
10. TÆKNIGÖGN.....	30
11. UPPLÝSINGAR FYRIR PRÓFUNARSTOFNANIR.....	30
12. UMHVERFISMÁL.....	31

1. ⚠ ÖRYGGISUPPLÝSINGAR

Fyrir uppsetningu og notkun heimilistækisins skal lesa meðfylgjandi leiðbeiningar vandlega. Framleiðandinn ber ekki ábyrgð á neinum meiðslum eða skemmdum sem leiða af rangri uppsetningu eða notkun. Geymdu alltaf leiðbeiningarnar á öruggum stað þar sem auðvelt er að nálgast þær til síðari notkunar.

1.1 Öryggi barna og viðkvæmra einstaklinga

- Börn, 8 ára og eldri og fólk með minnkaða líkamlega-, skyn- eða andlega getu, eða sem skortir reynslu og þekkingu, mega nota þetta tæki, ef þau eru undir eftirliti eða hafa verið veittar leiðbeiningar varðandi örugga notkun tækisins og ef þau skilja hættuna sem því fylgir. Börn á aldrinum 3 til 8 ára og einstaklingar með mjög mikla og flókna fötlun er leyfilegt að setja í og taka úr heimilistækinu, að því tilskildu að þau hafi fengið almennilegar leiðbeiningar. Halda ætti börnum

yngri en 3 ára frá heimilistækinu nema þau séu undir stöðugu eftirliti.

- Hafa ætti eftirlit með börnum til að tryggja að þau leiki sér ekki með.
- Börn eiga ekki að hreinsa eða framkvæma notandaviðhald á heimilistækinu án eftirlits.
- Haltu öllum umbúðum frá börnum og fargaðu þeim á viðeigandi hátt.

1.2 Almenn öryggi

- Þetta heimilistæki er eingöngu fyrir geymslu á mat og drykkjum.
- Þetta heimilistæki er hannað til notkunar innanhúss á heimilum.
- Þetta heimilistæki má nota á skrifstofum, í herbergjum hótela, herbergjum gestahúsa, bændagistingum og öðrum sambærilegum gistirýmum þar sem notkun er ekki meiri en almenn heimilisnotkun.
- Til að forðast spillingu matvæla skal virða eftirfarandi leiðbeiningar:
 - Hafðu hurðina ekki opna um lengri tíma;
 - hreinsaðu reglubundið fleti sem geta komist í snertingu við matvæli og aðgengileg frárennsliskerfi;
 - geymdu hrátt kjöt og fisk í hentugum ílátum í kælskápnnum þannig að það komist ekki í snertingu við eða leki niður á önnur matvæli.
- VIÐVÖRUN: Haltu loftræstingaropum, í afgangi heimilistækisins eða í innbyggðu rými, lausu við hindranir.
- VIÐVÖRUN: Notaðu ekki vélrænan búnað eða aðrar aðferðir til að hraða afísunarferli, annan en þann sem framleiðandinn mælir með.
- VIÐVÖRUN: Skemmdu ekki kælimiðilsrásina.
- VIÐVÖRUN: Notaðu ekki rafmagnstæki inni í geymsluhólfum matvæla í heimilistækinu, nema þau séu af þeirri tegund sem framleiðandinn mælir með.
- Notaðu ekki vatnsúða og gufu til að hreinsa heimilistækið.

- Hreinsaðu heimilistækið með mjúkum rökum klút. Notaðu aðeins hlutlaus þvottaefni. Notaðu ekki neinar vörur með svarfefnum, stálull, leysiefni eða málmhluti.
- Þegar heimilistækið er tómt um lengri tíma skal slökkva á því, afísa, hreinsa, þurrka og skilja hurðina eftir opna til að koma í veg fyrir að mygla myndist inni í tækinu.
- Geymdu ekki sprengifim efni eins og úðabrúsa með eldfimu drifefni í þessu heimilistæki.
- Ef rafmagnssnúran er skemmd verður framleiðandi, viðurkennd þjónustumiðstöð, eða svipað hæfur aðili að endurnýja hana til að forðast hættu.

2. ÖRYGGISLEIÐBEININGAR

2.1 Uppsetning

ADVÖRUN!

Einungis til þess hæfur aðili má setja upp þetta heimilistæki.

- Fjarlægðu allar umbúðir.
- Ekki setja upp eða nota skemmt heimilistæki.
- Fylgdu leiðbeiningum um uppsetningu sem fylgja með heimilistækinu.
- Alltaf skal sýna aðgát þegar heimilistækið er fært vegna þess að það er þungt. Notaðu alltaf öryggishanska og lokaðan skóbúnað.
- Gakktu úr skugga um að að loft geti flætt í kringum heimilistækið.
- Við fyrstu uppsetningu eða eftir að hurðinni hefur verið snúið skal bíða í að minnsta kosti 4 klukkustundir áður en heimilistækið er tengt við rafmagn. Þetta er til að olían nái að flæða aftur í þjöppuna.
- Áður en þú framkvæmir einhverjar aðgerðir á heimilistækinu (t.d. snýrð við hurðinni) skaltu taka klóna úr rafmagnsinnstungunni.
- Ekki setja heimilistækið upp nálægt hitagjöfum (ofnum) eða eldavélum, bókunarfnum eða helluborðum, nema annað sé tekið fram í leiðbeiningum um uppsetningu.

- Ekki hafa heimilistækið berskjaldað gagnvart rigningu.
- Ekki setja heimilistækið upp þar sem það verður fyrir beinu sólarljósi.
- Ekki setja þetta heimilistæki upp á svæðum þar sem er of mikill raki eða of kalt.
- Þegar þú færir til heimilistækið, skaltu lyfta brúninni að framan til að koma í veg fyrir að þú rispir gólfíð.

2.2 Rafmagnstenging

ADVÖRUN!

Hætta á eldi og raflosti.

ADVÖRUN!

Þegar heimilistækið er staðsett skaltu tryggja að rafmagnssnúran sé hvorki klemmd né skemmd.

ADVÖRUN!

Notaðu ekki fjöltengi eða framlengingarsnúror.

- Heimilistækið verður að vera jarðtengt.
- Gakktu úr skugga um að færíbreyturnar á merkiplötunni séu samhæfar við rafmagnsflokkun aðalæðar aflugjafa.
- Notaðu alltaf rétt ísetta innstungu sem ekki veldur raflosti.

- Gakktu úr skugga um að rafmagnsihlutir verði ekki fyrir skemmdum (t.d. rafmagnsklóin, snúran, þjappan). Hafa skal samband við viðurkennda þjónustumiðstöð eða rafvirkja til að skipta um rafmagnsihluti.
- Rafmagnssnúran verður að liggja neðar en rafmagnsklóin.
- Aðeins skal tengja rafmagnsklóna við rafmagnsinnstunguna í lok uppsetningarinnar. Gakktu úr skugga um að rafmagnsklóin sé aðgengileg eftir uppsetningu.
- Ekki toga í snúruna til að taka tækið úr sambandi. Taktu alltaf um klóna.

2.3 Notkun

AÐVÖRUN!

Hætta á meiðslum, bruna, raflosti eða eldsvoða.



Heimilistækið inniheldur eldfimt gas, ísóbután (R600a), náttúrulegt gas, sem er mjög umhverfisvænt. Gættu þess að valda ekki skaða á kælrásinni sem inniheldur ísóbután.

- Breytið ekki eiginleikum heimilistækisins.
- Ekki láta rafmagnstæki (s.s. ísgerðarvélur) í tækið nema það sé tekið fram af framleiðanda að þau þoli það.
- Ef rafrásir kælibúnaðarins skemmast skal gæta þess að það sé enginn logi eða kveikjugjafar í herberginu. Loftræstu herbergið.
- Ekki láta heita hluti snerta þá hluta heimilistækisins sem eru úr plasti.
- Ekki nota heimilistækið til að geyma eldfimar lofttegundir eða vökva.
- Setjið ekki eldfim efni eða hluti bleytta með eldfimum efnum í, nálægt, eða á heimilistækið.
- Ekki snerta þjöppuna eða þéttinn. Þau eru heit.
- Leyfið ekki matvælum að komast í snertingu við innri veggji heimilistækishólfanna.

2.4 Innri lýsing

AÐVÖRUN!

Hætta á raflosti.

- Þessi vara inniheldur einn eða fleiri ljósgjafa í orkunýtniflokknum F.
- Varðandi ljósin inn í þessari vöru og ljós sem varahluti sem seld eru sérstaklega: Þessi ljós eru ætluð að standast öfgakenndar aðstæður í heimilistækjum eins og hitastig, titring, raka eða til að senda upplýsingar um rekstrarstöðu tækisins. Þau eru ekki ætluð til að nota í öðrum tækjum og henta ekki sem lýsing í herbergjum heimila.

2.5 Umhirða og þrif

AÐVÖRUN!

Hætta á meiðslum eða skemmdum á heimilistækinu.

- Áður en viðhald fer fram á tækinu skal slökkva á því og aftengja aðalklóna frá rafmagnsinnstungunni.
- Þetta tæki inniheldur kolvatnsefni í kælieiningunni. Aðeins hæfir aðilar mega sinna viðhaldi og endurhleðslu á einingunni.
- Skoðið frárennsli tækisins reglulega og hreinsið það ef þörf krefur. Ef frárennslið er stíflað mun affryst vatn safnast fyrir í botni heimilistækisins.

2.6 Þjónusta

- Hafðu samband við viðurkennda þjónustumiðstöð til að gera við heimilistækið. Notaðu eingöngu upprunalega varahluti.
- Vinsamlegast athugaðu að ef þú eða einhver sem ekki er fagmaður gerir við getur það haft afleiðingar varðandi öryggi og gæti ógilt ábyrgðina.
- Eftirfarandi varahlutir verða fánægir í 7 ár eftir að hætt hefur verið framleiðslu gerðarinnar: Hitastíllar, hitaskynjarar, prentplötur, ljósgjafar, hurðahandföng, hurðalamir, bakkar og grindur. Vinsamlegast athugaðu að suma þessara varahluta geta aðeins

atvinnuviðgerðaraðilar fengið og ekki eru allir varahlutir viðeigandi fyrir allar gerðir.

- Hurðapéttingar verða fáanlegar í 10 ár eftir að hætt hefur verið framleiðslu gerðarinnar.

2.7 Förgun

⚠ **AÐVÖRUN!**

Hætta á meiðslum eða köfnun.

- Aftengið heimilistækið frá rafmagnsgjafanum.

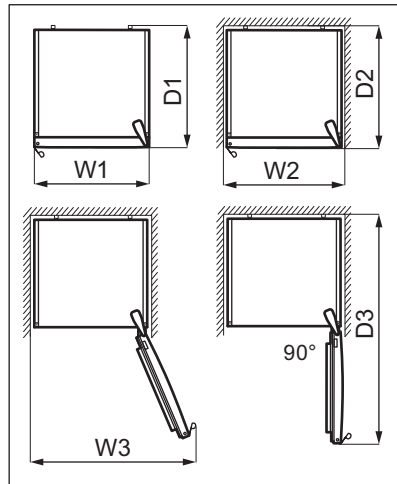
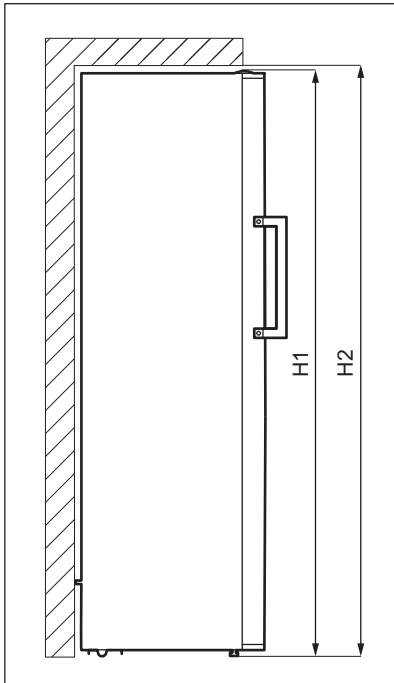
- Klippa rafmagnssnúruna af og fleygið henni.
- Fjarlægjið hurðina til að koma í veg fyrir að börn eða dýr geti lokast inni í tækinu.
- Kælirásin og einangrunarefnið á tækinu eru ósónvæn.
- Einangrunarfroðan inniheldur eldfimar lofttegundir. Hafið samband við sveitarfélagið til að fá upplýsingar um hvernig á að farga heimilistækinu á réttan hátt.
- Ekki valda skaða á hluta kælieiningarinnar sem er nálægt hitaskiptinum.

3. UPPSETNING

⚠ **AÐVÖRUN!**

Sjá kafla um öryggismál.

3.1 Mál



Heildarmál ¹		
H1	mm	1860
W1	mm	595
D1	mm	650

¹ hæð, breidd og dýpt heimilistækisins án handfangs

Svæði sem þarf til notkunar ²		
H2	mm	1900
W2	mm	600
D2	mm	718

² hæð, breidd og dýpt heimilistækisins ásamt handfangi, auk rýmisins sem þarf til að tryggja rétt loftflæði fyrir kæli loft

Heildarsvæði sem þarf til notkunar ³		
H2	mm	1900
W3	mm	649
D3	mm	1224

³ hæð, breidd og dýpt heimilistækisins ásamt handfangi, auk rýmisins sem þarf til að tryggja rétt loftflæði fyrir kæli loft, auk svæðisins sem nauðsynlegt er svo að hurðin geti opnast við lágmarkshorn sem nauðsynlegt er til að fjarlægja allan innri búnað

3.2 Staðsetning

Þetta heimilistæki er ekki ætlað til þess að vera innbyggt.

Ef tækið er sett upp með öðrum hætti en frístandandi og með tilliti til notkunar svæðis, mun heimilistækið virka rétt en orkunotkun gæti aukist nokkuð.

Til að tryggja rétta virkni heimilistækisins, ætti ekki að setja það upp nálægt hitagjöfum (ofnum, eldavélum, hellum) eða á stað sem verður fyrir beinu sólarljósi. Gakktu úr skugga um að loftflæði sé gott aftan við skápinn.

Tækið á að setja upp á þurrum, vel lofttræstum stað innandyrá.

Til að tryggja bestu frammistöðu heimilistækisins, ef tækið er staðsett fyrir neðan útskagandi veggeiningu, er nauðsynlegt að viðhalda lágmarksfjarlægð við efsta hluta skápsins. Hins vegar ætti heimilistækið helst ekki að vera staðsett undir útskagandi veggeiningum. Einn eða fleiri stillanlegir fætur á undirstöðu skápsins tryggja að heimilistækið sé stöðugt.

⚠ VARÚÐ!

Ef þú staðsetur heimilistækið upp við vegg, skaltu nota meðfylgjandi millistykki fyrir bakið til að viðhalda þeirri lágmarksfjarlægð sem tilgreind er í uppsetningarleiðbeiningunum.

⚠ VARÚÐ!

Ef þú setur heimilistækið upp við vegg, skaltu skoða uppsetningarleiðbeiningarnar til að átta þig á nauðsynlegri lágmarksfjarlægð á milli veggins og hliða tækisins, þar sem hurðahjarimar eru hugsaðar til að veita hurðinni nægilegt pláss þegar verið er að fjarlægja innri einingar (t.d. við þrif).

Þetta tæki er ætlað til notkunar við umhverfishita á bilinu 10°C til 43°C.



Eingöngu er hægt að ábyrgjast rétta virkni heimilistækisins sé það notað á þessu hitabili.



Ef þú hefur einhverjar efasemdir varðandi uppsetningu heimilistækisins, skaltu vinsamlegast ráðfæra þig við seljanda, þjónustuverið okkar eða næstu viðurkenndu þjónustumiðstöð.



Það verður að vera hægt að taka heimilistækið úr sambandi við rafmagn. Innstungan verður því að vera aðgengileg eftir uppsetningu.

3.3 Rafmagnstenging

- Áður en stungið er í samband, þarf að ganga úr skugga um að sú spenna og

tíðni sem sýnd eru á merkiplötunna samræmist heimilisrafmagninu.

- Heimilistækið verður að vera jarðtengt. Kló rafmangssnúrunnar er með snertu sem er ætluð til þess. Ef innstungan á heimilinu er ekki jarðtengt, þarf að jarðtengja heimilistækið í aðskilda jörð til að uppfylla núgildandi reglugerðir. Hafid samband við fagmenntaðan rafvirkja.
- Framleiðandi hafnar allri ábyrgð ef ofangreindum öryggisráðstöfunum er ekki fylgt.

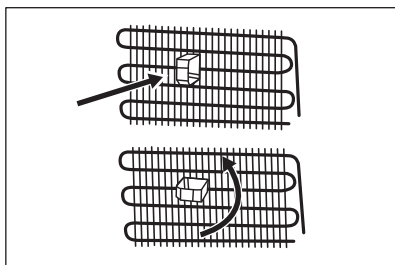
3.4 Hallajöfnun

Þegar heimilistækinu er komið fyrir skal tryggja að það standi lárétt. Þessu er hægt að ná með því að stilla fæturnar tvær neðan á tækinu að framan.

3.5 Aftari millileggsskífur

Í pokanum með gögnum er að finna tvær millileggsskífur sem þarf að setja upp eins og sýnt er á myndinni.

Ef þú staðsetur heimilistækið frístandandi upp við vegg skaltu setja upp millistykkin að aftan þannig að þau tryggji lágmarksfjarlægð sem þarf fyrir loftflæði.



3.6 Viðsnúningur hurðar

Vinsamlegast skoðaðu sérstakt skjal með leiðbeiningum um uppsetningu og viðsnúning hurðar.

⚠ VARÚÐ!

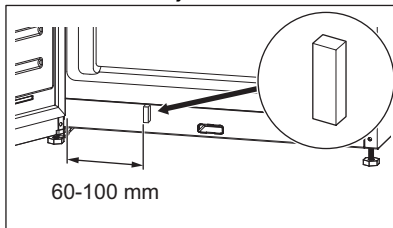
Við hvert þrep í viðsnúningi hurðar skal gæta þess að verja gólfid gegn rispum, með slitsterku efni.

3.7 Auðveld opnun

Kælt loftið dregst saman inni í heimilistækinu sem orsakar sog sem gerir það erfiðara að opna hurðina. Til að auðvelda opnun heimilistækisins getur þú notað límt yfirlag úr pokanum með gögnumum.

Til að setja upp yfirlagið:

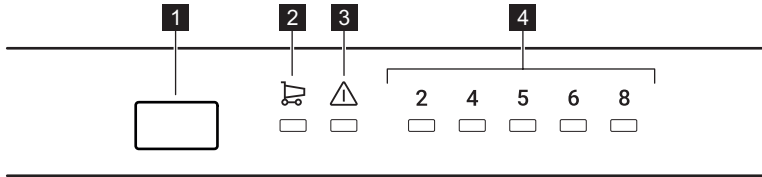
1. Fjarlægðu lagið aftan á yfirlaginu.
2. Settu yfirlagið ofan á rammann á botni heimilistækisins með fjarlægðinni 60 til 100 mm frá hjörinni.



Geymdu yfirlagið þar sem börn ná ekki til. Köfnunarhætta.

4. NOTKUN

4.1 Stjórnborð



- 1** Hitastillingahnappur
- 2** Super Cool vísir
- 3** Aðvörunarvísir

- 4** Hitastigsvísar

4.2 Kveikt og slökkt

Til að kveikja á heimilistækinu skaltu stinga því í samband.



Þegar kveikt er á heimilistækinu í fyrsta skipti gæti verið að ljósið að innan eftir eina mínútu vegna opunarprófana.

Til að slökkva á heimilistækinu skaltu taka það úr sambandi.

4.3 Hitastilling

Ráðlögð hitastilling er:

- +4°C fyrir kælinn.

Hitastigssviðið er breytilegt á milli 2°C og 8°C.

Til að stilla hitastigið í heimilistækinu skaltu ýta á hitastillingarhnappinn ítrekað þangað til þú nærð ætluðu hitastigi í hólfinu.

Veldu stillinguna með það í huga að hitastigið inni í heimilistækinu fer eftir:

- stofuhita,
- hversu oft hurðin er opnuð,
- magni af mat sem geymt er,
- staðsetningu heimilistækis.

Miðlungsstilling er almennt sú hentugasta.

Hitastigsvísar sýna hitastigið sem búið var að stilla.



Hitastillingunni þarf að ná innan sólarhrings.

4.4 Super Cool aðgerð

Ef þú þarft að setja inn mikið magn af mat við stofuhita í kælihölfíð, til dæmis eftir matarinnkaup, stingum við upp á að þú virkir Super Cool aðgerðina til að kæla vörurnar hraðar og til að hindra að maturinn sem fyrir er í kælinum hitni.

Aðgerðin stöðvast sjálfkrafa eftir að hámarki 5 klukkustundir eða þegar skynjarinn nær lægsta hitastigi kælihólfsins (1-3°C).

Þú getur einnig afvikjað Super Cool aðgerðina með því að endurtaka ferlið þar til það slokknar á Super Cool vísinum eða með því að velja annað hitastig fyrir kælihölfíð.

4.5 Viðvörðun

Ef upp koma vandamál við kælingu, rafmagnstruflanir eða umtalsverðar breytingar á hitastigi í heimilistækinu þínu, lýsir viðvörunarvísirinn rauðu og hljóð heyrst.



Viðvörunin kann að lýsa þegar þú setur heimilistækið í samband í fyrsta skipti.

Sjá kaflann „Bilanaleit“ fyrir fleiri hugsanlegar orsakir viðvörunarinnar og lausnir til að slökkva á henni.

4.6 Standby hamur

Virkaðu Standby haminn til að slökkva á kæli-aðgerðina og þar með draga úr orkunotkun heimilistækisins.

Til að virkja Standby haminn:

1. Stillið kjarnhitann 2°C. Sjá „Hitastilling“ hlutann.
2. Ýttu á og haltu inni hitastýringarhnappnum þar til allir hitastigsvísar blikka þrisvar.



Ef þú ýtir á hitastýringarhnappinn á meðan kveikt er á Standby hamnum munu allir hitastigsvísarnir blikka þrisvar.

Þú getur afvirkjað Standby haminn með því að endurtaka ofangreint ferli.



Á meðan Standby hamurinn er virkur getur hitastigið inni í heimilistækinu hækkað upp fyrir innstillt 2°C. Ef það gerist eftir að hamurinn afvirkjast munu viðvörunarljósín lýsa og hljóð heyrist. Þegar heimilistækið lækkar hitastigið sjálfkrafa slokknar á viðvörunarvísinum og hljóðinu.

5. DAGLEG NOTKUN

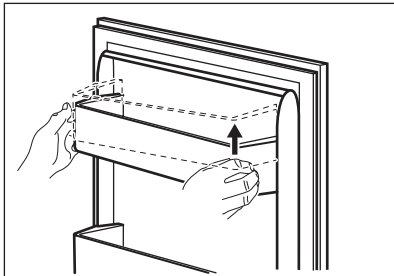
⚠ VARÚÐ!

Þetta kælitæki er ekki ætlað til þess að frysta matvæli.

5.1 Hilluskúffan fjarlægð og ísett

Til að fjarlægja hilluskúffuna:

1. Haltu í vinstri hlið hillunnar.
2. Lyftu hægri hlið hillunnar þangað til hún losnar frá festingunum.



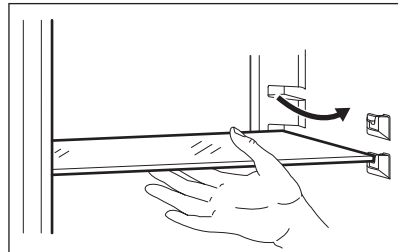
3. Lyftu vinstri hlið hillunnar og fjarlægðu hana.

Til að setja hilluna aftur í:

1. Leggðu hilluna flata á gólfíð.
2. Ýttu hliðunum tveimur niður samtímis svo að hillan passi í báðar festingar.

5.2 Færanlegar hillur

Hliðar kælishólsins eru búnar röðum af hillustoðum þannig að hægt sé að staðsetja hillurnar eftir þörfum.



Til að tryggja rétt loftstreymi skaltu ekki færa glerhilluna fyrir ofan grænmetisskúffuna, til að tryggja rétt loftstreymi.

5.3 Grænmetisskúffa

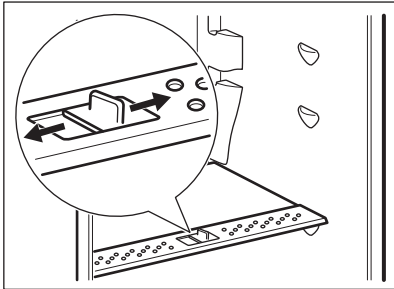
Það er sérstök skúffa í neðsta hluta heimilistækisins sem hentar til þess að geyma ávexti og grænmeti.

5.4 Rakastýring

Glerhillan innifelur búnað með ristum (stillanlegar með rennihandfangi) sem gerir mögulegt að stýra rakanum í grænmetisskúfunni.



Ekki setja neinar matvörur á rakastýringarbúnaðinn.



Staðan á rakastýringu veltur á tegundum og magni ávaxta og grænmetis:

- Raufir lokaðar: ráðlagt þegar er lítið magn af ávöxtum og grænmeti. Með þessum hætti er náttúrulegu rakastigi ávaxta og grænmetis viðhaldið lengur.
- Raufir opnar: ráðlagt þegar er mikið magn af ávöxtum og grænmeti. Með þessum hætti leiðir meira loftflæði til lægra rakastigs.

5.5 Vifta

Kælisrápshólfíð er með búnað sem gerir kleift að kæla matinn hratt og halda jafnara hitastigi í hólfinu.

Þessi búnaður virkjust sjálfkrafa þegar þörf er á.



Lokaðu ekki fyrir loftinntakið og loftunarpog þú geymir matvæli því það hamlar loftun með viftunni.

6. ÁBENDINGAR OG GÓÐ RÁÐ

6.1 Ábendingar um orkusparnað


- Skilvirkasta notkun orku er tryggð í þeirri uppsetningu að skúffum í neðri hluta heimilistækisins og hillum sé jafnt dreift. Staðsetning kassa í hurð hefur ekki áhrif á orkunotkun.
- Ekki opna hurðina oft eða hafa hana opna lengur en nauðsyn krefur.
- Ekki still á of háan hita til að spara orku nema eiginleikar matarins krefjist þess.
- Tryggðu gott loftflæði. Ekki hylja loftræstiristarnar eða götin.
- Gakktu úr skugga um að matvaran inn í heimilistækinu komi ekki í veg fyrir að loft geti flætt út um þar til gerð göt aftan á innanverðu heimilistækinu.

6.2 Ábendingar um kælingu á ferskum matvælum

- Góð hitastilling sem varðveitir ferska matvöru er +4°C eða lægri. Sé hærra hiti stilltur fyrir heimilistækið getur það leitt til styttri endingartíma fyrir matvælin.

- Láttu umbúðir yfir matvælin til að varðveita ferskleika þeirra og bragð.
- Notaðu alltaf lokað ílát fyrir vökva og fyrir mat, til að forðast að lykt eða bragð safnist í hólfið.
- Til að forðast víxlmengun á milli eldaðrar og óeldaðrar matvöru, skal þekja eldaða matvöru og halda henni aðskildri frá hrárra matvöru.
- Mælst er til þess að matvörur séu þíðdar inn í kælinum.
- Ekki stinga heitri matvöru inn í heimilistækið. Gakktu úr skugga um að matvaran hafi náð að kólna að stofuhita áður en gengið er frá henni.
- Til að koma í veg fyrir matarsóun skal alltaf setja ný matvæli fyrir aftan þau eldri.

6.3 Ábendingar um góða kælingu

- Ferskvöruhólfíð er það sem er merkt (á merkiplötunni) með .
- Ávextir og grænmeti: Hreinsa vandlega (fjarlægja alla mold) og geyma í sérstakri skúffu (grænmetisskúfunni).

- Ekki er æskilegt að geyma framandi ávexti eins og banana, mangó, papæjaldin, o.s.frv. í kælikápnnum.
- Grænmeti, svo sem tómata, kartöflur, lauk og hvítlauk, skal ekki geyma í kælikápnnum.
- Smjör og ostur: Setja í loftþéttar umbúðir eða pakka inn í álpappír eða pólýþen-poka til að útiloka eins mikið loft og hægt er.
- Flöskur: Loka með loki og setja í flöskuhilluna í hurðinni, eða (ef til staðar) í flöskurekkann.
- Skoðaðu alltaf „best fyrir“ dagsetningu varanna til að vita hversu lengi á að geyma þær.

7. UMHIRÐA OG HREINSUN

AÐVÖRUN!

Sjá kafla um öryggismál.

7.1 Innra byrði hreinsað

Áður en heimilistækið er notað í fyrsta sinn, skal þvo innri og alla innri fylgihluti með volgu vatni og hlutlausri sápu til að losna við dæmigerða lykt af nýrri vöru og þurrka svo vandlega.

VARÚÐ!

Ekki nota þvottaefni, slípiduft, klór eða olíublönduð hreinsiefni, þar sem það skemmir áferðina.

VARÚÐ!

Aukahlutir og hlutar heimilistækisins eru ekki ætlaðir fyrir uppþvottavélar.

7.2 Reglubundin hreinsun

Hreinsa þarf búnaðinn reglulega:

1. Hreinsaðu innra byrðið og aukahluti með volgu vatni og hlutlausri sápu.
2. Skoðaðu hurðarbéttingar reglulega og strjúktu af þeim svo þær séu hreinar og lausar við óhreinindi.

3. Hreinsaðu þéttinn með bursta að minnsta kosti tvisvar á ári.
4. Hreinsaðu uppgufunarbúnaðinn reglulega til að fjarlægja uppsafnað vatn.
5. Skolaðu og þurrkaðu vandlega.

7.3 Affrysting heimilistækisins

Frostið er sjálfkrafa losað úr eimi kæliholfsins í hvert skipti sem þéttimótorinn stöðvast við eðlilega notkun. Vatnið eftir affrystinguna lekur út í gegnum trekt í sérstakt ílát aftan á heimilistækinu við hliðina á þjöppunni, þar sem það gufar upp.

7.4 Tímabil án notkunar

Þegar heimilistækið er ekki í notkun til lengri tíma, skal grípa til eftirfarandi ráðstafana:

1. Aftengja tækið frá rafmagni.
2. Fjarlægja allan mat.
3. Hreinsa heimilistækið og alla aukahluti þess.
4. Hafa hurðina opnar til að koma í veg fyrir að vond lykt myndist.

8. BILANALET

AÐVÖRUN!

Sjá kafla um öryggismál.

8.1 Hvað skal gera ef...

Vandamál	Möguleg ástæða	Lausn
Heimilistækið virkar ekki.	Slökkt er á heimilistækinu.	Kveiktu á heimilistækinu.
	Rafmagnsklói er ekki rétt tengd við rafmagnsinnstunguna.	Tengdu klóna við rafmagnsinnstunguna með réttum hætti.
	Það er ekkert rafmagn á rafmagnsinnstungunni.	Tengdu annað raftæki við rafmagnsinnstunguna. Hafðu samband við faglærðan rafvirkja.
Heimilistækið gefur frá sér mikinn hávaða.	Heimilistækið er ekki með réttan stuðning.	Kannaðu hvort heimilistækið sé stöðugt.
Þjappan gengur samfelt.	Hitastig er rangt stillt.	Sjá kaflann „Notkun“.
	Margar matvörur voru settar inn á sama tíma.	Bíddu í nokkrar klukkustundir og athugaðu svo hitastigið aftur.
	Stofuhitinn er of hár.	Sjá kaflann „Uppsetning“.
	Matvara sem látin var í heimilistækið var of heit.	Leyfðu matvörunni að kólna að stofuhita áður en hún er látin til geymslu.
	Hurðin er ekki nægilega vel lokað.	Sjá „Hurðinni lokað“ hlutann.
Hurðin er skökk eða rekt í loftræstiristina.	Tækið er ekki lárétt.	Skoðaðu uppsetningarleiðbeiningarnar.
Hurð opnast ekki auðveldlega.	Þú reyndir að opna hurðina aftur strax eftir að þú lokaðir henni.	Bíddu í nokkrar sekúndur á milli þess að loka og opna hurðina aftur.
Ljósíð virkar ekki.	Ljósíð er í reiðuham.	Lokaðu og opnaðu hurðina.
	Ljósíð er bilað.	Hafðu samband við næstu viðurkennda þjónustumiðstöð.
Það er of mikið hrím og klaki.	Hurðin er ekki nægilega vel lokað.	Sjá „Hurðinni lokað“ hlutann.
	Þéttiborðinn er afmyndaður eða óhræinn.	Sjá „Hurðinni lokað“ hlutann.
	Matvöru er ekki rétt pakkað.	Pakkaðu matvörunni betur.
	Hitastig er rangt stillt.	Sjá kaflann „Notkun“.
	Heimilistækið er fullhlaðið og er stillt á lægsta hitastig.	Stilltu hærra hitastig. Sjá kaflann „Notkun“.
	Hitastigið sem stillt er á heimilistækinu er of lágt og umhverfishitastig er of hátt.	Stilltu hærra hitastig. Sjá kaflann „Notkun“.
Vatnið flæðir á afturplötu kælikápsins.	Á meðan á sjálfvirka affrystingarferlinu stendur, bræðir það frostið á afturplötunni.	Þetta er í lagi. Þurrkaðu vatnið með mjúkum klút.
Of mikið vatn þéttist á afturveggekæliskápsins.	Hurðin var opin of oft.	Opnaðu hurðina aðeins þegar nauðsynlegt er.
	Hurðinni var ekki lokað til fulls.	Gakktu úr skugga um að hurðinni sé lokað til fulls.

Vandamál	Möguleg ástæða	Lausn
	Geymdum mat var ekki pakkað.	Pakkaðu mat í hentugar pakkningar áður en þú setur hann í heimilistæk-ið.
Vatn flæðir á gólfinu.	Vatnsbræðsluúttakið er ekki tengt við uppgufunarbakkann fyrir ofan þjökkpuna.	Tengdu vatnsbræðsluúttakið við uppgufunarbakkann.
Hitastig heimilistækisins er of lágt/ hátt.	Hitastigið er ekki rétt stillt.	Stilltu hitastigið hærra/lægra.
	Hurðin er ekki nægilega vel lokað.	Sjá „Hurðinni lokað“ hlutann.
	Hitastig matvörunnar er of hátt.	Láttu hitastig matvörunnar lækka að stofuhita áður en hún er geymd.
	Of mikið af matvöru er geymt í einu.	Bættu við minna af matvöru í einu.
	Hurðin hefur verið opnuð of oft.	Opnaðu hurðina aðeins ef nauðsyn krefur.
	Það er ekkert kalt loffflæði í heimilis-tækinu.	Gakktu úr skugga um að það sé kalt loffflæði í heimilistækinu. Sjá kaflann „Ábendingar og góð ráð“.



Ef ráðið skilar ekki óskaðri niðurstöðu skaltu hringja í næstu viðurkennda þjónustumiðstöð.

8.2 Skipt um ljósið

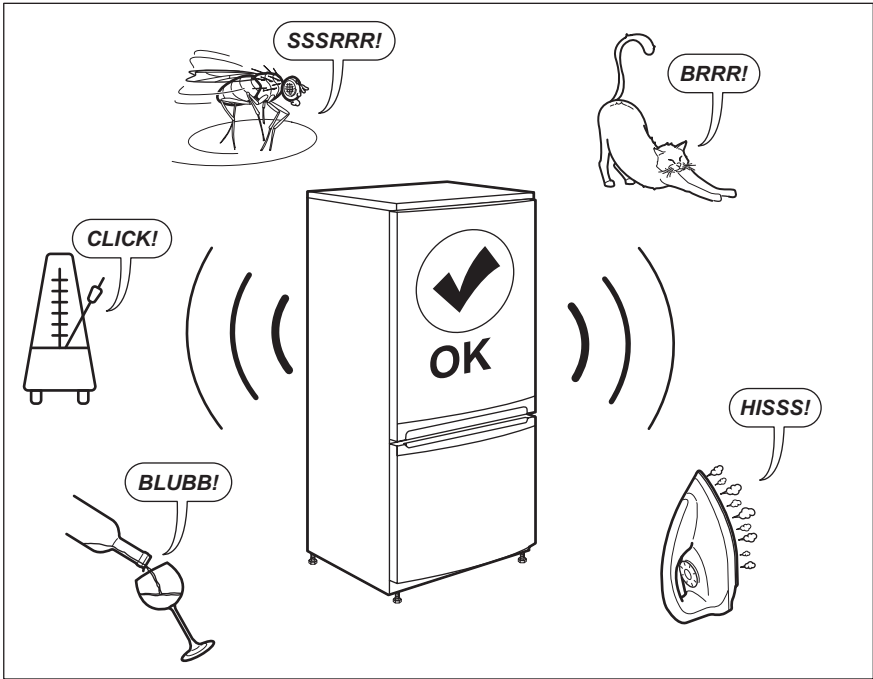
Heimilistækið er búið ljósdíóðuljósi með langan endingartíma.

Aðeins viðgerðarþjónustuaðilar mega skipta um ljósabúnaðinn. Hafið samband við viðurkennda þjónustumiðstöð.

8.3 Hurðinni lokað

1. Þrífið þéttiborða hurðarinnar.
2. Stillið af hurðina ef nauðsynlegt er. Sjá kaflann „Uppsetning“.
3. Ef nauðsynlegt reynist, skal skipta um ónýta þéttiborða. Hafið samband við viðurkennda þjónustumiðstöð.

9. HÁVAÐI



10. TÆKNIGÖGN

Tæknilegar upplýsingar eru á merkiplötunni, á ytri eða innri hlið heimilistækisins og á orkumerkimiðanum.

QR-kóðinn á orkumerkingunni sem fylgir þessu tæki, gefur upp tengil á vefsíðu varðandi upplýsingar um frammistöðu tækisins í gagnagrunni EU EPREL. Geymdu orkumerkimiðann til uppflettingar ásamt notandahandbókinni og öllum öðrum skjölum sem fylgja með þessu heimilistæki.

Það er einnig mögulegt að nálgast sömu upplýsingar í EPREL með því að nota tengilinn: <https://eprel.ec.europa.eu> og gerðarheiti og framleiðslunúmer sem finna má á merkiplötu heimilistækisins.


Skoðaðu tengilinn www.theenergylabel.eu varðandi ítarlegar upplýsingar um orkumerkingar.


11. UPPLÝSINGAR FYRIR PRÓFUNARSTOFNANIR

Uppsetning og undirbúningur heimilistækisins fyrir EcoDesign-vottun verður að samræmast EN 62552. Loftræstingarkröfur, stærðir skotsins og lágmarksbil að aftan verður að

vera eins og tilgreint er í 3. kafla í þessari notandahandbók. Hafðu samband við framleiðanda fyrir allar frekari upplýsingar, þar með talið hleðsluáætlanir.

12. UMHVERFISMÁL

Endurvinnna þarf öll efni merkt táknu . Setjið umbúðirnar í viðeigandi sorpilát til endurvinnslu. Leggið ykkar að mörkum til verndar umhverfinu og heilsu manna og dýra og endurvinnið rusl sem fylgir raftækjum og rafrænum búnaði. Hendið ekki

heimilistækjum sem merkt eru með táknu  í venjulegt heimilirusl. Farið með vöruna í næstu endurvinnslustöð eða hafið samband við sveitarfélagið.

electrolux.com

212003305-B-472023



CE