



Instruction Book  
Mode d'emploi  
**PURE F9-B**







[www.electrolux.com](http://www.electrolux.com)



[www.electrolux.com/productregistration](http://www.electrolux.com/productregistration)




[supportemea.electrolux.com](http://supportemea.electrolux.com)





## CONSUMABLES & ACCESSORIES




[www.electrolux.com/shop](http://www.electrolux.com/shop)

 **F9-B Allergy Plus dust bags, 8-pack**  
 Ref: ESKFX9  
 Part nr: 900923096/3




 **F9-B Allergy Plus filter**  
 Ref: EF160  
 Part nr: 900923095/5




 **3in1 Nozzle**  
 Ref: ZE127  
 Part nr: 900922924/7




 **Home & Car kit**  
 Ref: KIT18  
 Part nr: 900922934/6




 **Citrus Burst**  
 Ref: ASMA  
 Part nr: 900167785/6


 **Crispy bamboo**  
 Ref: ASBA  
 Part nr: 900167782/3



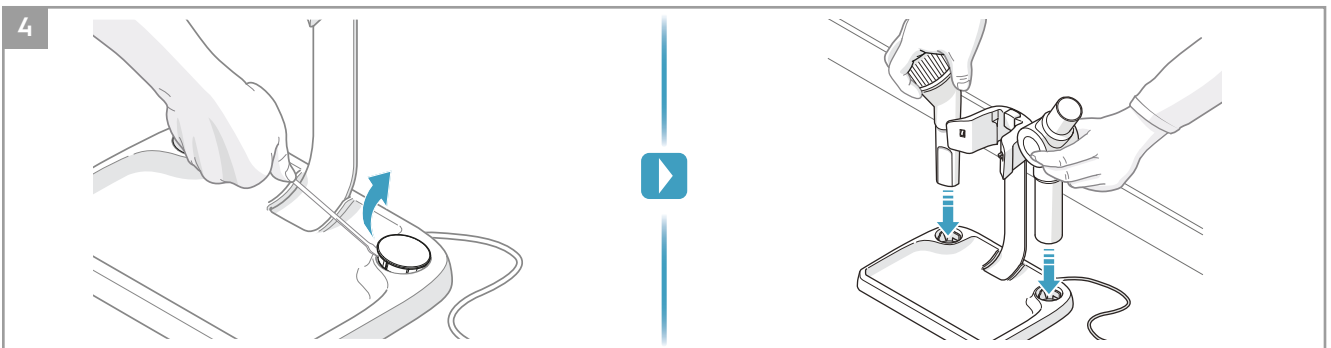
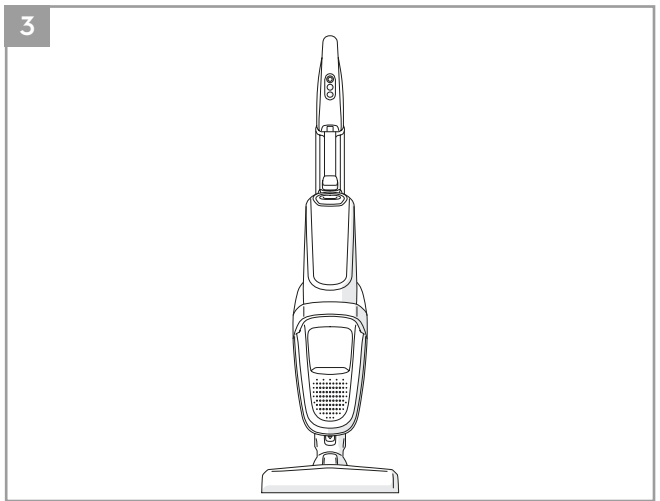
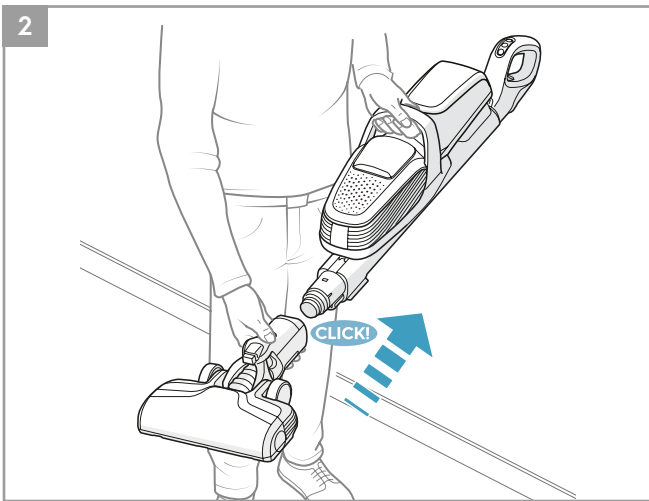
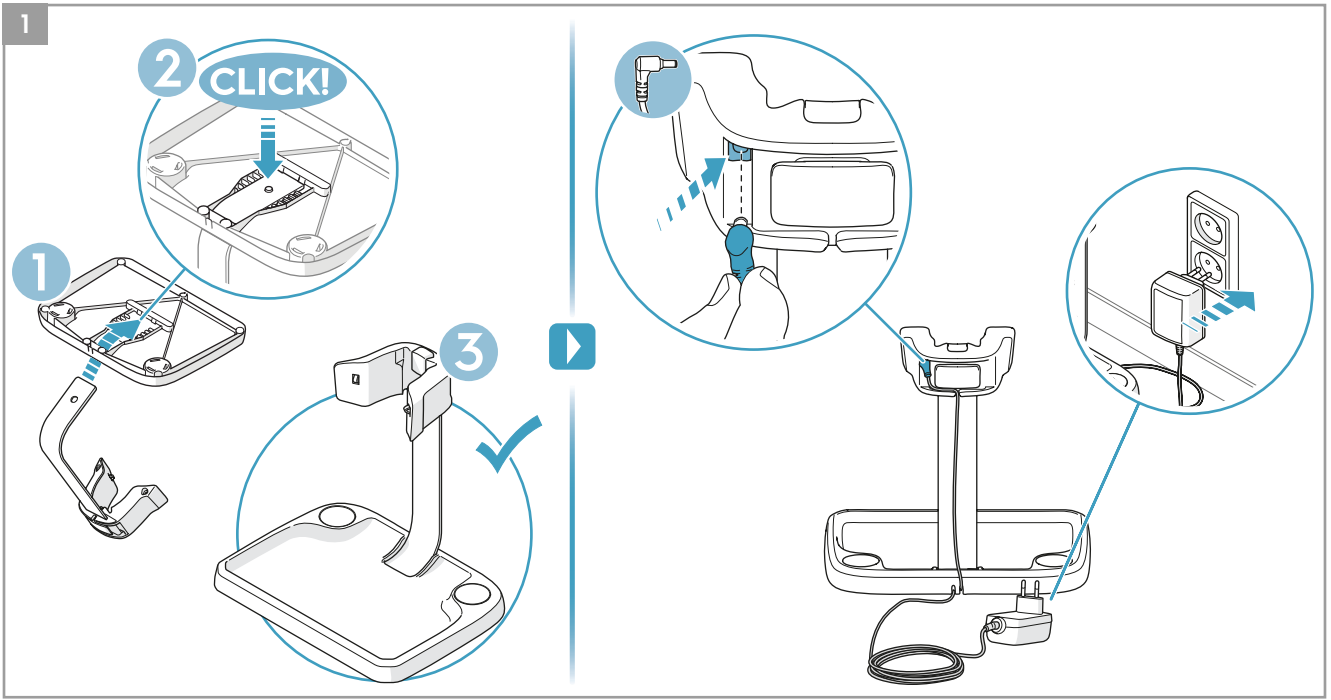
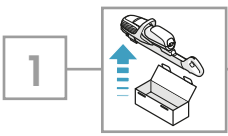
 **Brush roll all-floors & carpet**  
 Ref: ESBA9  
 Part nr: 9009229478

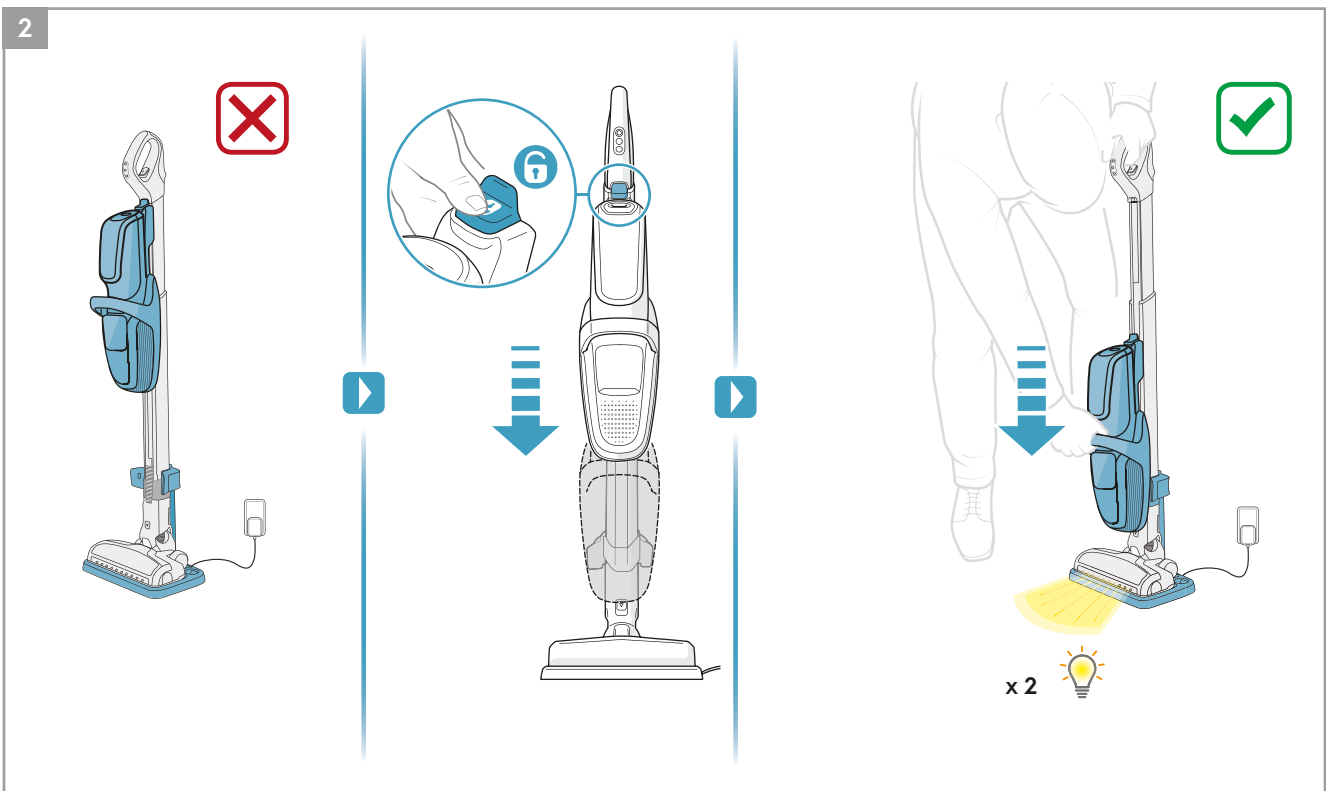
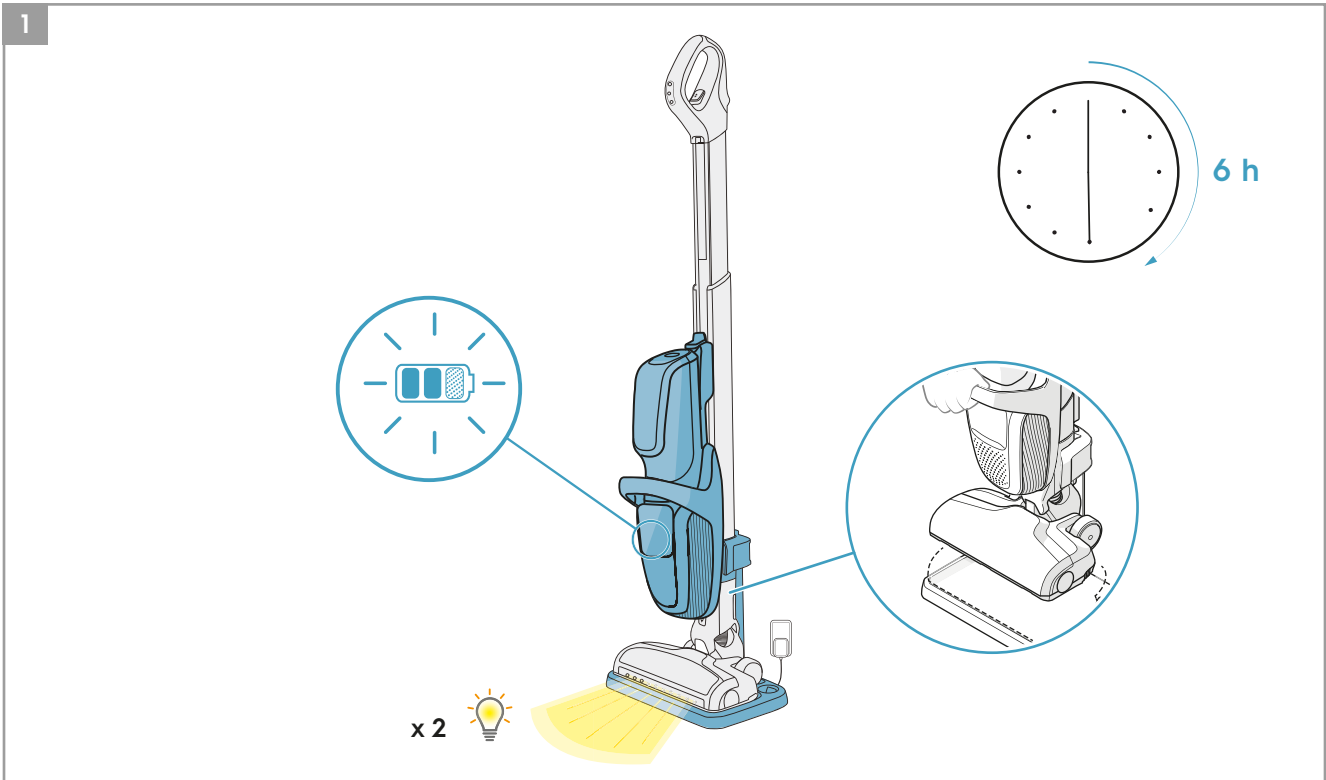
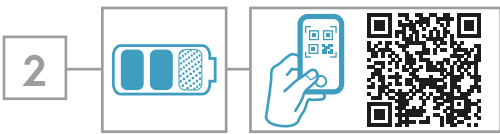


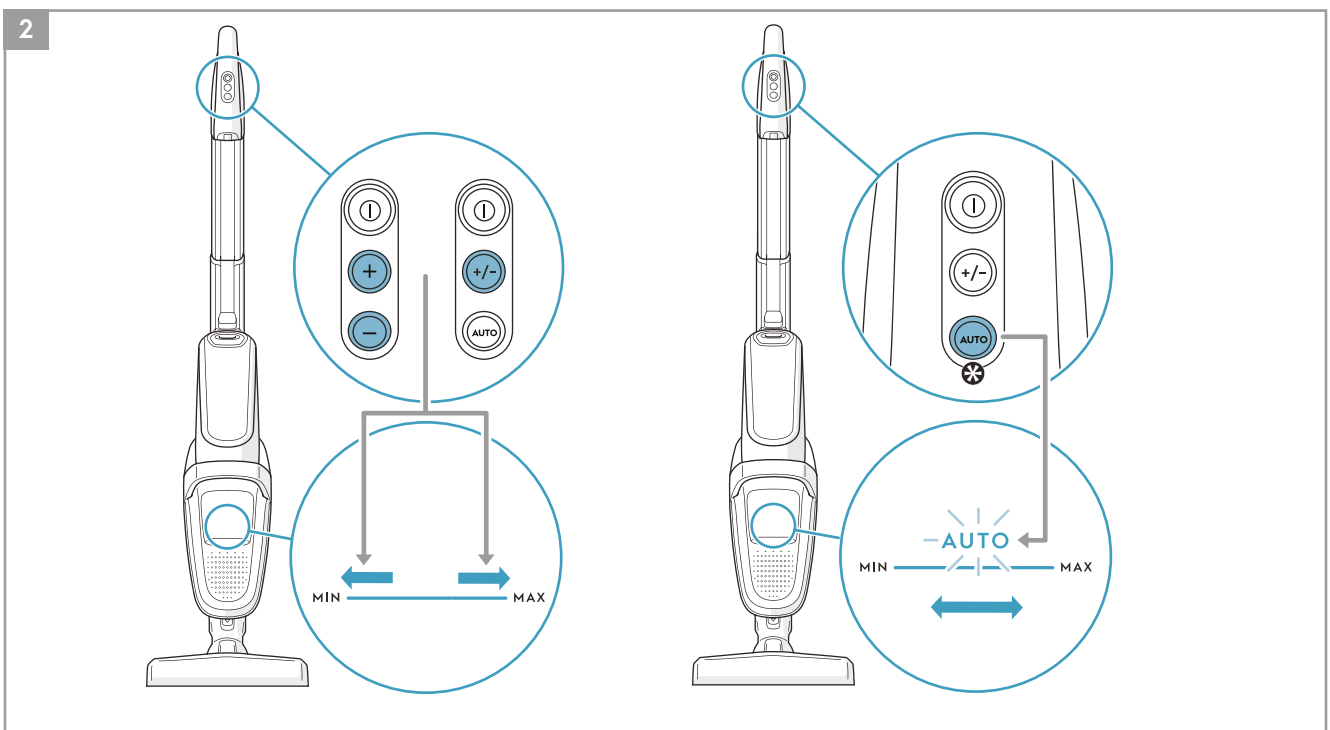
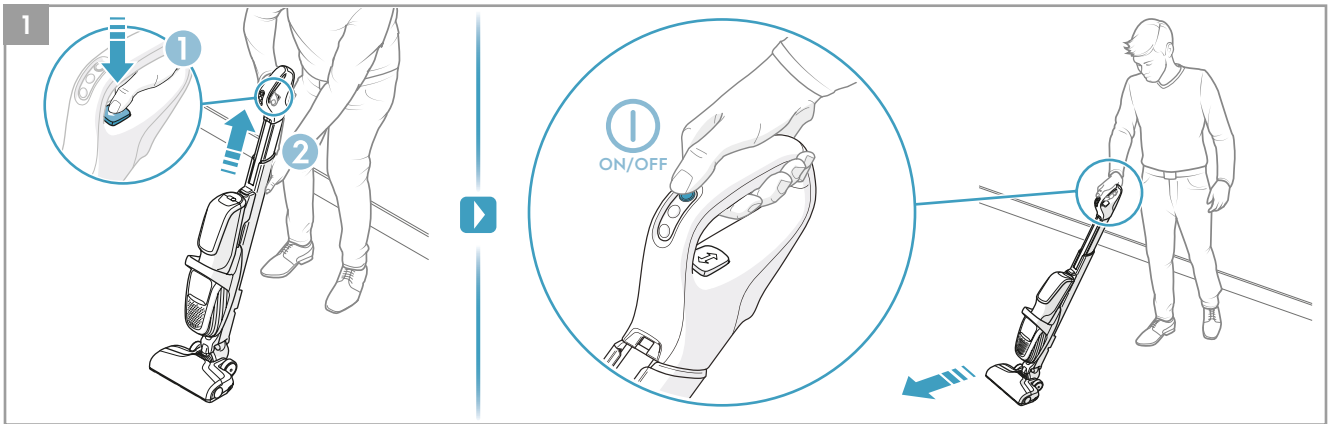
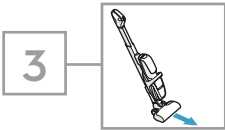
 **Brush roll Cleaner**  
 Ref: EBRO1  
 Part nr: 900922969/2

 **Micro kit**  
 Ref: KIT05  
 Part nr: 9009229601





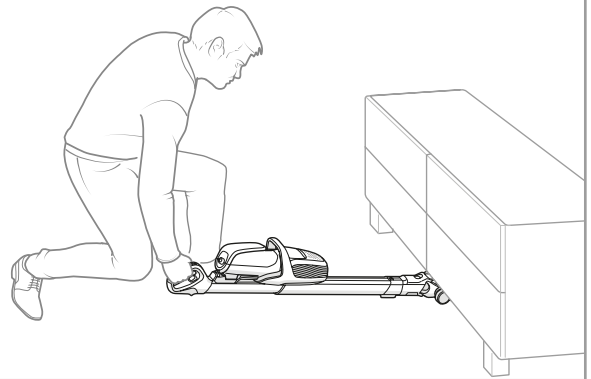
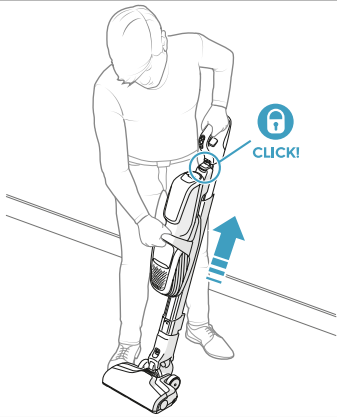




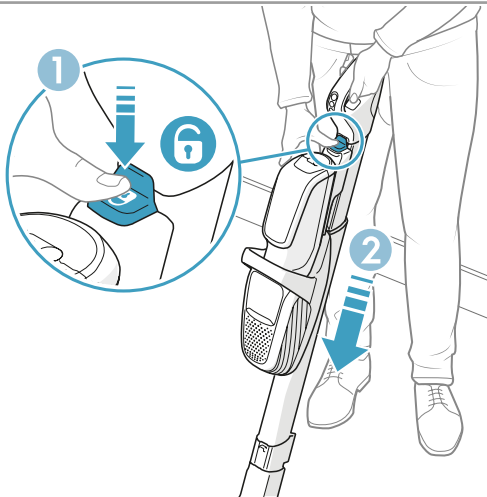
4



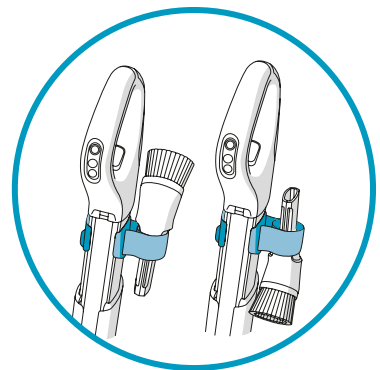
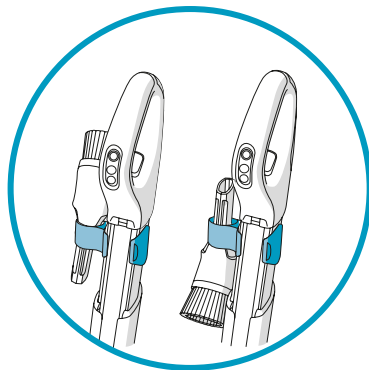
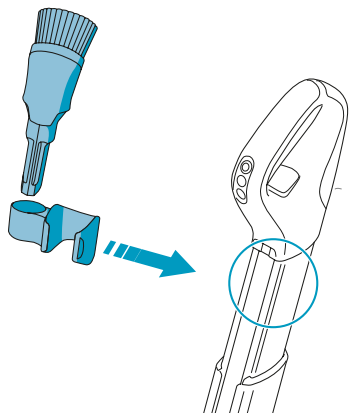
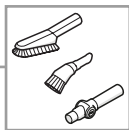
1

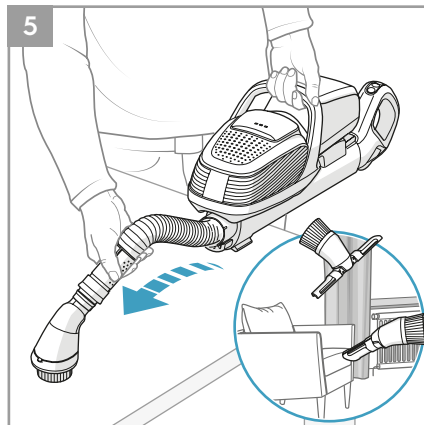
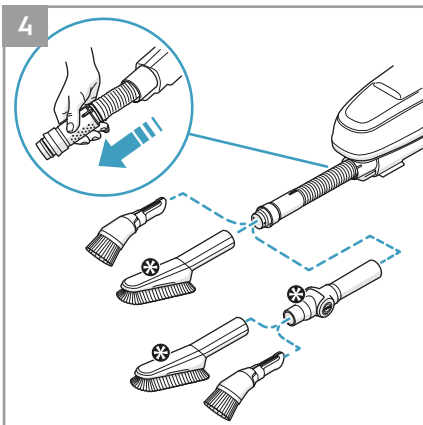
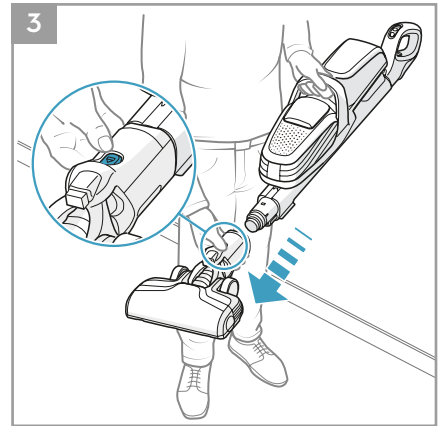
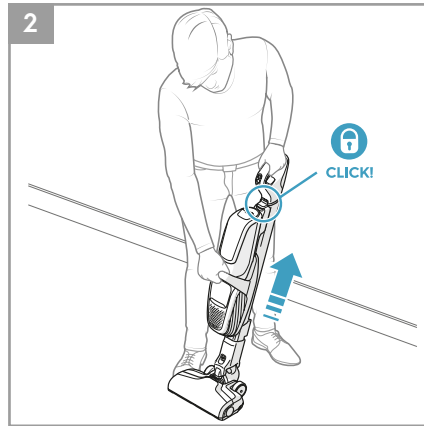
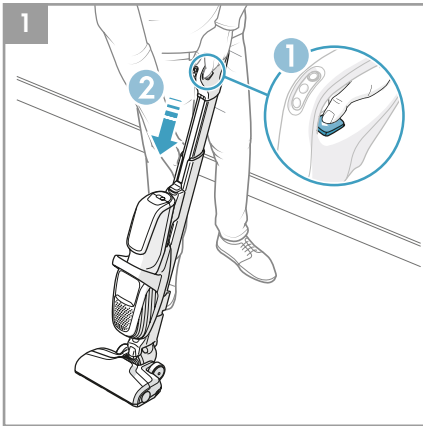


2

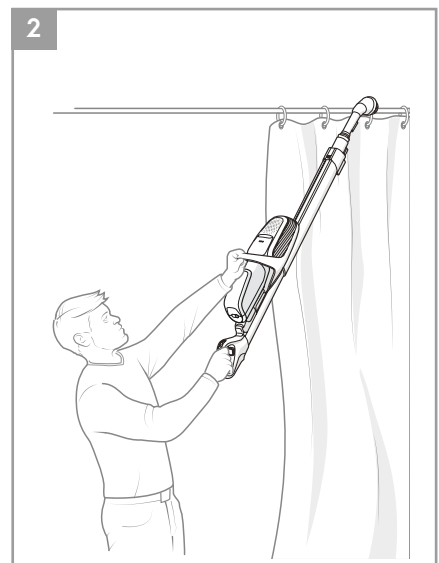
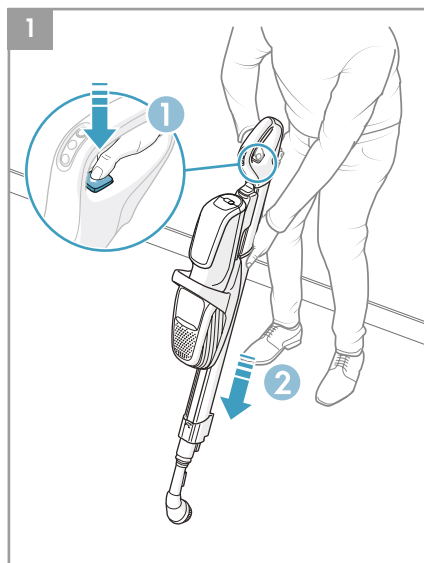
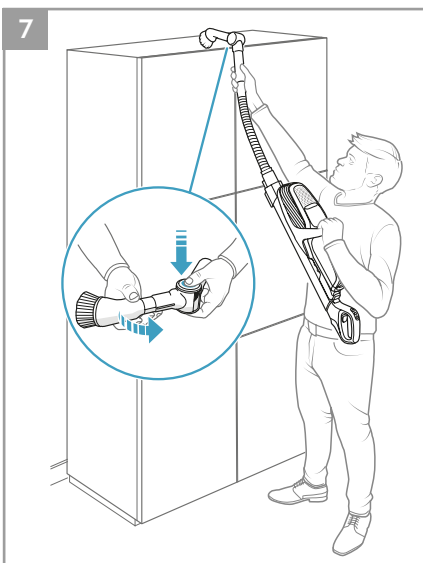
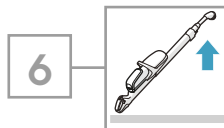


5





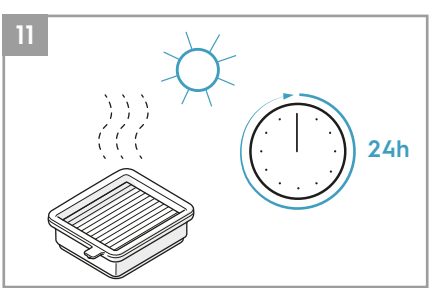
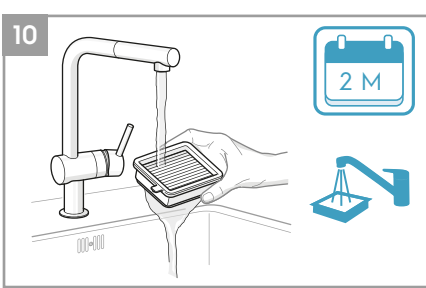
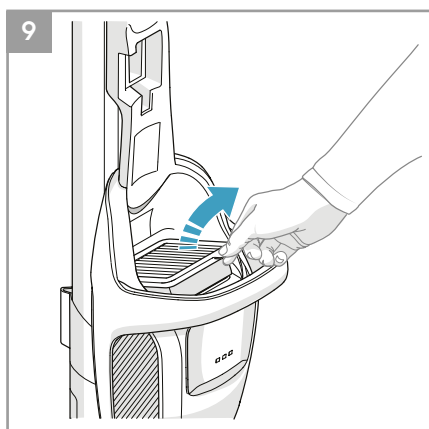
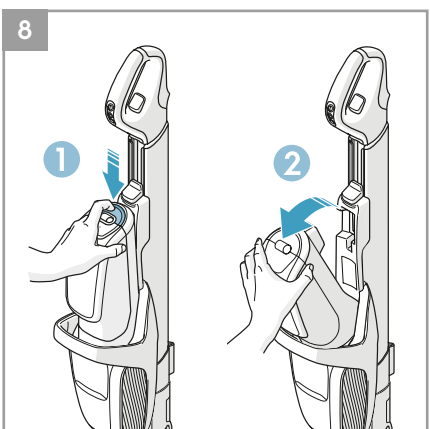
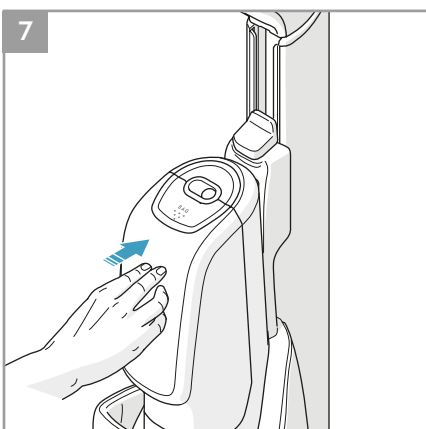
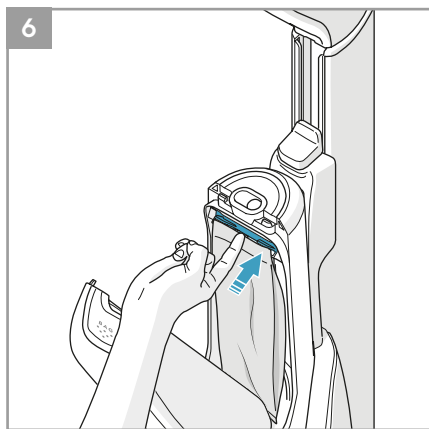
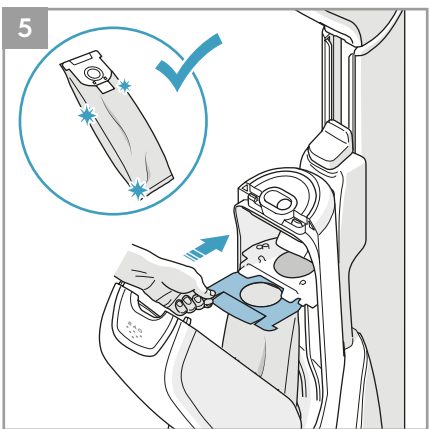
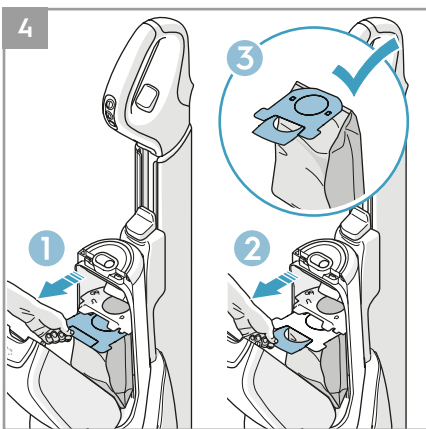
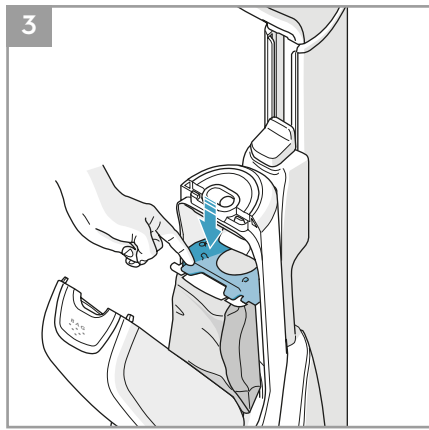
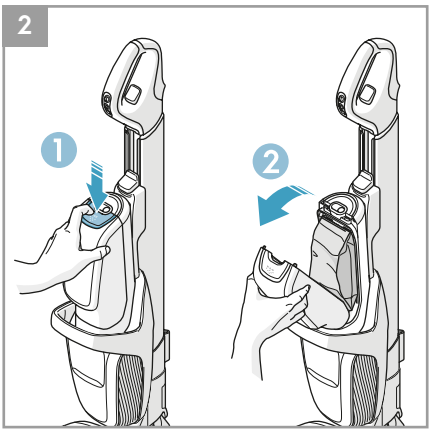
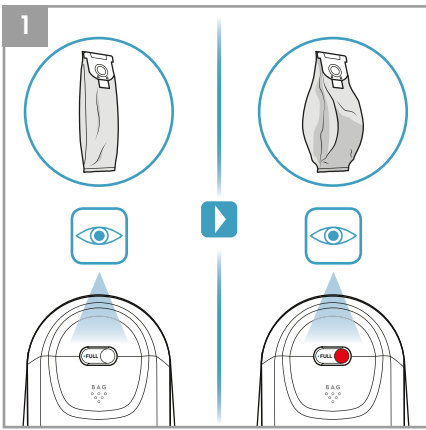
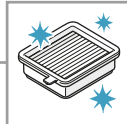
⊗ Certain models only



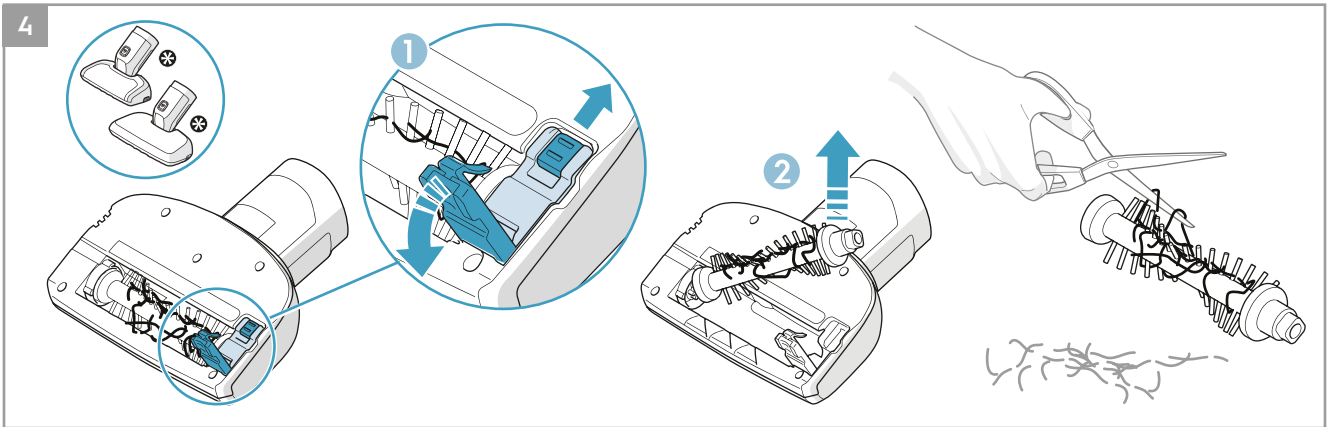
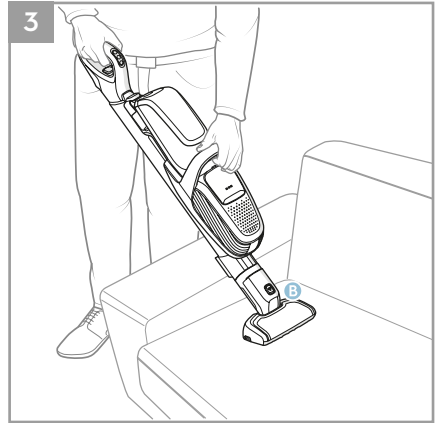
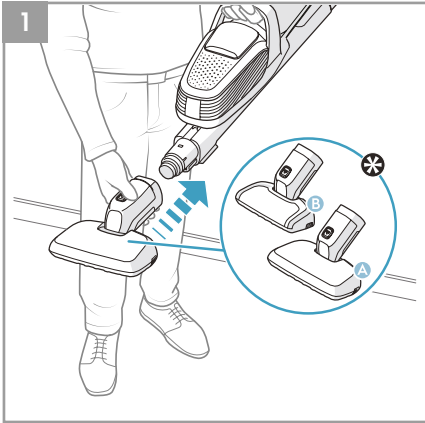


7

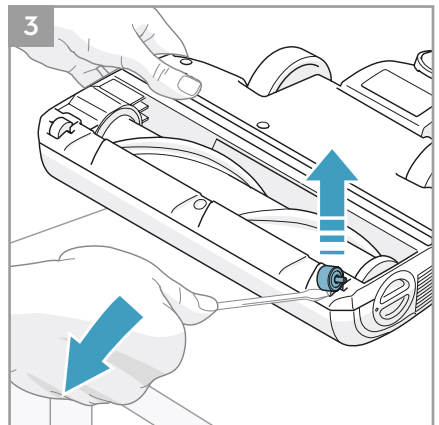
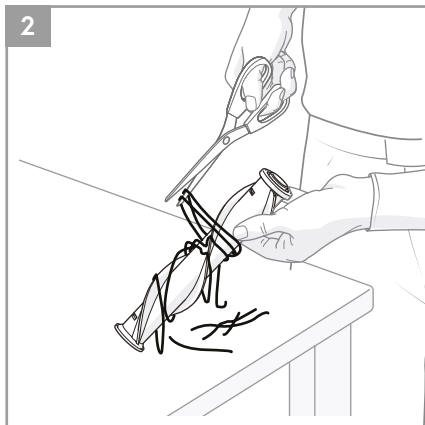
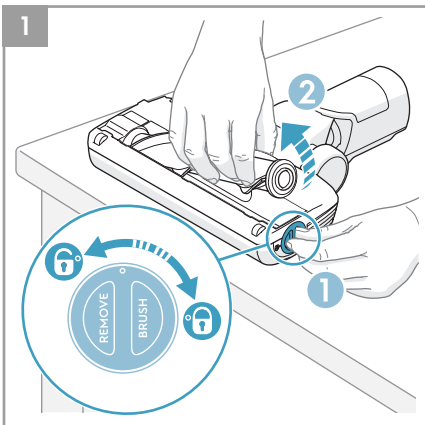
ORDER NEW BAGS?  
NEUE BEUTEL BESTELLEN?



8



9



\* Certain models only

