



BOSCH



Register your
new device on
MyBosch now and
get free benefits:
**[bosch-home.com/
welcome](https://bosch-home.com/welcome)**

Extractor hood

DDW88MM65

DDW88MM66

[en] User manual and installation instructions

Table of contents

USER MANUAL

1	Safety	2
2	Avoiding material damage	4
3	Environmental protection and saving energy	4
4	Operating modes	5
5	Familiarising yourself with your appliance	6
6	Before using for the first time	6
7	Basic operation	6
8	Hob-based hood control	8
9	Home Connect	8
10	Cleaning and servicing	10
11	Troubleshooting	12
12	Customer Service	13
13	Accessories	13
14	Disposal	14
15	INSTALLATION INSTRUCTIONS	14
15.3	Secure installation	14

1 Safety

Observe the following safety instructions.

1.1 General information

- Read this instruction manual carefully.
- Keep the instruction manual and the product information safe for future reference or for the next owner.
- Do not connect the appliance if it has been damaged in transit.

1.2 Intended use

This appliance is designed only to be built into kitchen units. Read the special installation instructions.

The appliance can only be used safely if it is correctly installed according to the safety instructions. The installer is responsible for ensuring that the appliance works perfectly at its installation location.

Only use this appliance:

- For extracting cooking vapour.

- In private households and in enclosed spaces in a domestic environment.
- Up to an altitude of max. 4000 m above sea level.

Do not use the appliance:

- in combination with a gas hob.
- With an external timer.

1.3 Restriction on user group

This appliance may be used by children aged 8 or over and by people who have reduced physical, sensory or mental abilities or inadequate experience and/or knowledge, provided that they are supervised or have been instructed on how to use the appliance safely and have understood the resulting dangers.

Children must not play with the appliance. Children must not perform cleaning or user maintenance unless they are at least 15 years old and are being supervised.

Keep children under the age of 8 years away from the appliance and power cable.

1.4 Safe use

WARNING – Risk of fire!

Unsuitable appliance combinations may cause damage.

- ▶ Do not use the appliance in combination with gas hobs.

WARNING – Risk of suffocation!

Children may put packaging material over their heads or wrap themselves up in it and suffocate.

- ▶ Keep packaging material away from children.
- ▶ Do not let children play with packaging material.

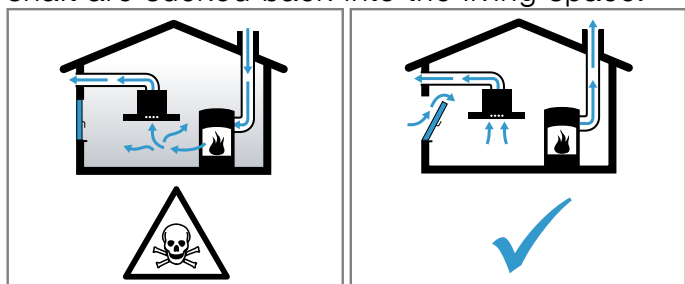
Children may breathe in or swallow small parts, causing them to suffocate.

- ▶ Keep small parts away from children.
- ▶ Do not let children play with small parts.

WARNING – Risk of poisoning!

Risk of poisoning from flue gases being drawn back in. Room-air-dependent heat-producing appliances (e.g. gas, oil, wood or coal-operated heaters, continuous flow heaters or water heaters) obtain combustion air from the room in which they are installed and discharge the exhaust gases into the open through an exhaust gas system (e.g. a chim-

ney). With the extractor hood switched on, air is extracted from the kitchen and the adjacent rooms. Without an adequate supply of air, the air pressure falls below atmospheric pressure. Toxic gases from the flue or the extraction shaft are sucked back into the living space.



- ▶ Always ensure adequate fresh air in the room if the appliance is being operated in exhaust air mode at the same time as a room-air-dependent heat-producing appliance is being operated.
- ▶ It is only possible to safely operate the appliance if the pressure in the room in which the heating appliance is installed does not drop more than 4 Pa (0.04 mbar) below atmospheric pressure. This can be achieved whenever the air needed for combustion is able to enter through openings that cannot be sealed, for example in doors, windows, incoming/exhaust air wall boxes or by other technical means. An incoming/exhaust air wall box alone does not ensure compliance with the limit.
- ▶ In any case, consult your responsible chimney sweep. They are able to assess the house's entire ventilation setup and will suggest the suitable ventilation measures to you.

⚠ WARNING – Risk of fire!

Fatty deposits in the grease filters may catch fire.

- ▶ Never operate the appliance without a grease filter.
- ▶ Clean the grease filters regularly.
- ▶ Never work with naked flames close to the appliance (e.g. flambéing).
- ▶ Do not install the appliance near a solid fuel heating appliance (e.g. wood- or coal-burning) unless the heating appliance has a sealed, non-removable cover. There must be no flying sparks.

Hot oil or grease ignites very quickly.

- ▶ Always supervise hot oil and fat.

- ▶ Never extinguish burning oil or fat with water. Switch off the cooking zone. Extinguish flames carefully using a lid, fire blanket or something similar.

⚠ WARNING – Risk of burns!

The accessible parts of the appliance become hot during operation.

- ▶ Never touch these hot parts.
- ▶ Keep children at a safe distance.

The appliance becomes hot during operation.

- ▶ Allow the appliance to cool down before cleaning.

⚠ WARNING – Risk of injury!

Components inside the appliance may have sharp edges.

- ▶ Carefully clean the appliance interior. Items placed on the appliance may fall off.
- ▶ Do not place any objects on the appliance. Changes to the electrical or mechanical assembly are dangerous and may lead to malfunctions.
- ▶ Do not make any changes to the electrical or mechanical assembly.

The light emitted by LED lights is very dazzling, and can damage the eyes (risk group 1).

- ▶ Do not look directly into the switched-on LED lights for longer than 100 seconds.

If the appliance is operated by another person via the Home Connect app during cleaning, this increases the risk of injury.

- ▶ Before cleaning, disconnect the appliance from the Home Connect app.

⚠ WARNING – Risk of electric shock!

If the appliance or the power cord is damaged, this is dangerous.

- ▶ Never operate a damaged appliance.
- ▶ Never pull on the power cord to unplug the appliance. Always unplug the appliance at the mains.
- ▶ If the appliance or the power cord is damaged, immediately unplug the power cord or switch off the fuse in the fuse box.
- ▶ Call customer services. → *Page 13*

Incorrect repairs are dangerous.

- ▶ Repairs to the appliance should only be carried out by trained specialist staff.
- ▶ Only use genuine spare parts when repairing the appliance.

- ▶ If the power cord of this appliance is damaged, it must be replaced by trained specialist staff.

An ingress of moisture can cause an electric shock.

- ▶ Before cleaning, pull out the mains plug or switch off the fuse in the fuse box.
- ▶ Do not use steam- or high-pressure cleaners to clean the appliance.

Penetrating liquid may cause an electric shock.

- ▶ If a larger amount of liquid is flowing in the appliance, pull out the mains plug or switch off the fuse in the fuse box.
→ "Malfunctions", Page 12

⚠ WARNING – Risk of explosion!

Highly caustic alkaline or highly acidic cleaning agents in conjunction with aluminium parts in the interior of the appliance may cause explosions.

- ▶ Never use highly caustic alkaline or highly acidic cleaning agents. In particular, do not use commercial or industrial cleaning agents in conjunction with aluminium parts, e.g. grease filter on extractor hoods.

2 Avoiding material damage

ATTENTION!

Condensate may cause corrosion damage.

- ▶ To prevent condensation from building up, switch on the appliance during cooking.

If moisture gets into the controls, this may result in damage.

- ▶ Never clean controls with a wet cloth.

Incorrect cleaning damages the surfaces.

- ▶ Follow the cleaning instructions.
 - ▶ Do not use harsh or abrasive detergents.
 - ▶ Clean stainless steel surfaces in the direction of the finish only.
 - ▶ Never clean controls with stainless steel cleaners.
- Condensation that flows back in may damage the appliance.

- ▶ The air extraction duct must be installed with a gradient of at least 1° from the appliance.
If you put incorrect stress on the design elements, they may break off.

- ▶ Do not pull design elements.
- ▶ Do not place objects on the design elements or hang objects from them.

There is a risk of surface damage if you do not peel off the protective film.

- ▶ Remove the protective film from all parts of the appliance before using for the first time.

Objects set down on the appliance may damage the appliance when it is extended.

- ▶ Do not place any objects on the appliance.
- ▶ With the remote control via the Home Connect app in particular, ensure that there are no objects on the appliance.

3 Environmental protection and saving energy

3.1 Disposing of packaging

The packaging materials are environmentally compatible and can be recycled.

- ▶ Sort the individual components by type and dispose of them separately.

3.2 Saving energy

If you follow these instructions, your appliance will use less power.

Note:

For this appliance, an energy consumption value has been established in accordance with EN 61591, (EU) No 66/2014 and delegated regulation (EU) No. 65/2014:

- The measurements are taken when the appliance is delivered.
- No cooking surface lighting is available on the appliance.

- When determining the fluid-dynamic efficiency, the ambient lighting in light colour red operates at maximum brightness.

If you use the Guided Air function, the specified energy values and consumption values may differ.

Ensure that there is sufficient ventilation when cooking.

- The appliance works more efficiently and with fewer operating noises.

Adjust the fan speed to the amount of steam produced during cooking.

- The lower the fan speed, the less energy is consumed.

Only use intensive mode when required.

If cooking produces large amounts of steam, select a higher fan speed in good time.

- The odours are distributed around the room less.

Switch the appliance off when you are not using it.

- The appliance does not consume any energy.

Switch off the lighting if you no longer require it.

- The lighting does not consume any energy.

Clean or replace the filters at regular intervals.

- The effectiveness of the filter is retained.

Put the cooking lid on.

- The cooking vapours and condensation are reduced.

4 Operating modes

You can use your appliance in air extraction mode or circulating-air mode.

The saturation indicator must be adjusted to the selected operating mode and the filters used. → *Page 7*

4.1 Air extraction mode

The air which is drawn in is cleaned by the grease filters and conveyed to the exterior by a pipe system.



The air must not be discharged into a flue that is used for exhausting fumes from appliances burning gas or other fuels (not applicable to appliances that only discharge the air back into the room).

- If the exhaust air is to be conveyed into a non-functioning smoke or exhaust gas flue, you must obtain the consent of the heating engineer responsible.
- If the exhaust air is conveyed through the external wall, a telescopic duct should be used.

4.2 Air recirculation mode

The air which is drawn in is cleaned by the grease filters and an odour filter, and conveyed back into the room.

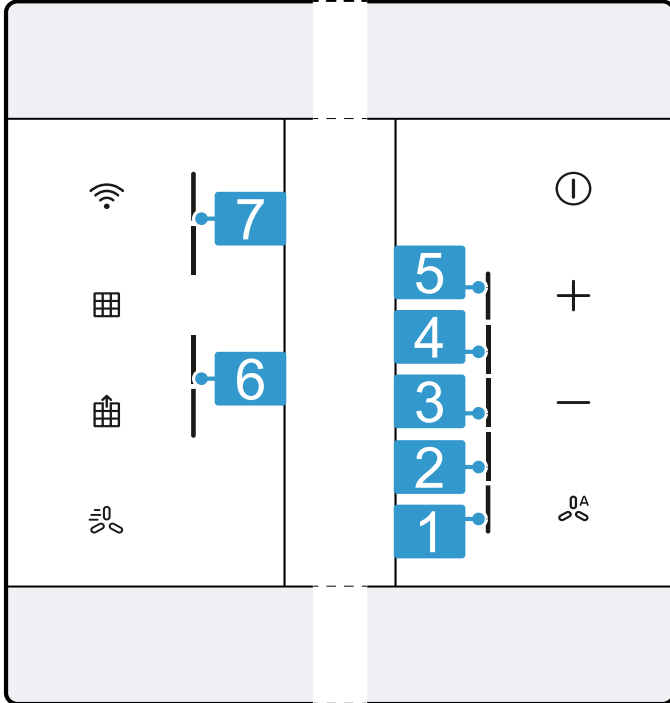


To bind odours in circulating-air mode, you must install an odour filter. The different options for operating the appliance in circulating-air mode can be found in our catalogue. Alternatively, ask your dealer. The required accessories are available from specialist retailers, from customer service or from the Online Shop.

5 Familiarising yourself with your appliance

5.1 Controls

You can use the control panel to configure all functions of your appliance and to obtain information about the operating status.



- | | |
|---|--|
| 1 | Fan setting 1 |
| 2 | Fan setting 2 |
| 3 | Fan setting 3 |
| 4 | Intensive mode 1 |
| 5 | Intensive mode 2 |
| 6 | Odour filter saturation indicator ¹ |
| 7 | Grease filter saturation indicator |

¹ Depending on the appliance specifications

- | | |
|-----------------|---|
| ⓘ | Switching the appliance on or off |
| + | Increasing the fan setting |
| - | Decreasing the fan setting |
| ⓘ ^A | Switching automatic mode ¹ on or off |
| Wi-Fi | Home Connect |
| Grid | Reset the filter saturation indicator |
| House with Grid | Removing or inserting the grease filter/odour filter ¹ |
| Fan with Grid | Switching Guided Air on or off |

¹ Depending on the appliance specifications

6 Before using for the first time

Configure the settings for initial start-up. Clean the appliance and accessories.

6.1 Setting an operating mode

Your appliance is set to air extraction mode by default.

Note: When using it in circulating-air mode, you require additional accessories.

- ▶ When using it in circulating-air mode, set the operating mode.
→ "Setting the saturation indicator", Page 7

7 Basic operation

7.1 Switching on the appliance

- ▶ Press ⓘ to switch on the appliance.
- ✓ The appliance starts at fan setting 2.
- ✓ The Ambient Light automatically switches on.

7.2 Switching off the appliance

- ▶ Press ⓘ.
- ✓ The fan run-on starts at fan setting 1.
- ✓ The Ambient Light remains switched on for approx. 10 minutes.
- ✓ The glass panel remains extended halfway.
- ✓ The appliance switches off automatically after approx. 10 minutes.

- ✓ The glass panel moves downwards and the appliance closes.

7.3 Selecting a fan setting

- ▶ Press + or -.

7.4 Switching on intensive mode

If particularly strong odours or vapours develop, you can use intensive mode.

1. Press + repeatedly until LED 4 lights up in the LED display for intensive mode 1.

2. Press **+** repeatedly until LED 5 lights up in the LED display for intensive mode 2.
- ✓ After approx. 6 minutes, the appliance automatically switches to fan setting 3.

7.5 Switching off intensive mode

- ▶ To select a fan setting of your choice, press **—**.

7.6 Switching on the fan run-on

During the fan run-on, the appliance continues to run for a short time and then switches off automatically.

Note: Further settings are available in the Home Connect app.

Requirement: The appliance is switched on.

- ▶ Press **⓪**.
- ✓ The fan run-on starts at fan setting 1.
- ✓ The Ambient Light remains switched on for approx. 10 minutes.
- ✓ The glass panel remains extended halfway.
- ✓ The appliance switches off automatically after approx. 10 minutes.
- ✓ The glass panel moves downwards and the appliance closes.

7.7 Switching on automatic mode¹

The optimum fan setting is set automatically using a sensor.

- ▶ Press **Ⓐ**.

Note: In automatic mode, the Guided Air function is always switched on.

7.8 Switching off automatic mode¹

- ▶ Press **Ⓐ**.
- ✓ The appliance starts at fan setting 2.
- ✓ The ventilation is automatically ended when the sensor detects no further change in the room air quality.
- ✓ Automatic mode runs for a maximum of four hours.

Note: Further settings are available in the Home Connect app.

7.9 Intermittent ventilation

With interval ventilation, the ventilation system switches on and off in the selected setting for the selected time.

Note: This function is only available in the Home Connect app.

If the interval ventilation is switched on, LED 1 flashes.

7.10 Sensor control¹

In automatic mode, a sensor in the appliance detects the intensity of the cooking and roasting fumes. Depending on the setting of the sensor sensitivity, the optimum fan setting is automatically switched on. If the sensor control system reacts too weakly or too strongly, the setting for the sensor sensitivity may change.

- Default setting: Fan setting 3

- Lowest setting: Fan setting 1
- Highest setting: Fan setting 5

7.11 Setting the sensor control¹

Requirement: The appliance is switched on.

1. Press and hold **⓪** and **Ⓐ** for approx. three seconds.
2. Press **+** or **—** to change the setting.
3. Press **⓪** to save the setting.

Or wait approx. five seconds until the setting is saved automatically.

- ✓ A signal tone sounds as soon as the selected setting is saved.

7.12 Setting the saturation indicator

The saturation indicator must be adjusted depending on the filter used.

Requirement: The appliance is switched on.

1. Press and hold **⓪** and **—** for approx. 3 seconds.
 - To set circulating-air mode (Clean Air Standard circulating-air set or Clean Air Plus circulating-air set), press and hold **+/-** until LED 2 lights up in the LED display.
 - To set circulating-air mode (regenerable filter), press **+/-** until LED 3 lights up in the LED display.
 - To convert the electronic control back to operation without the air recirculation filter, press **+/-** until LED 1 lights up on the LED display.
2. Press **⓪** to save the setting.

Or wait approx. five seconds until the setting is saved automatically.

- ✓ A signal tone sounds as soon as the selected setting is saved.

7.13 Resetting the saturation indicator

After cleaning the grease filter or after changing the odour filter, the saturation indicator can be reset.

Requirements

- After switching off the appliance, the upper two LEDs for the grease filter's saturation indicator and/or the lower two LEDs for the odour filter's saturation indicator flash in the left hand control panel.
- A signal sounds repeatedly.
- ▶ Press **⏏**.
- ✓ The saturation indicator is reset.

7.14 Switching on Ambient Light

Notes

- You can switch the Ambient Light on and off in the Home Connect app.
- Additional colours are available in the Home Connect app.

Requirement: Fan setting 1 is switched on.

- ▶ Press **—**.
- ✓ The Ambient Light remains switched on.
- ✓ The ventilation system switches off.
- ✓ The glass panel remains at the top.

¹ Depending on the appliance specifications

7.15 Switching on Guided Air

With the Guided Air function, the cooking vapour is routed in such a way that it can be optimally collected from the appliance and removed. The extraction of the cooking vapour is improved on front cooking zones in particular.

Note: This function is switched off by default.

- ▶ Press .

7.16 Switching off Guided Air

- ▶ Press .

8 Hob-based hood control

You can connect your appliance to a suitable hob and, in this way, control the functions of your appliance via the hob.

If both appliances are Home Connect-compatible, the easiest way to connect the appliances is in the Home Connect app. To do this, connect the two appliances to Home Connect and follow the instructions in the app.

Alternatively, you have the following options for connecting the appliances together:

- Connecting appliances together directly.
- Connecting appliances via the WLAN home network.


Note: Please note the safety precautions in the instruction manual for your appliance and ensure that they are also observed when operating the appliance via the hob-based hood control.

Tip: Operating your appliance always takes priority. It is not possible to use the hood controls on the hob during this time.

Note: In networked standby mode, the appliance requires a maximum of 2 W.

8.1 Connecting appliances together directly

Requirements

- Your appliance is now switched off.
 - Before connecting the appliances, reset all connections to your home network or other appliances. If your appliance is connected directly to the hob, it cannot be connected to your home network as well and you will not be able to use Home Connect.
1. **Note:** Refer to the section entitled "Hob-based hood control" in the instruction manual for your hob. Switch on the hob and select the search mode.
 2. Press and hold the  button until the LED for Home Connect flashes in the LED display.
 - ✓ The appliance is connected to the hob if the LED for Home Connect no longer flashes and lights up permanently.

8.2 Connecting appliances via the WLAN home network (Wi-Fi)

1. Connect the appliance to the home network. → *Page 8*
2. As soon as the appliance is connected to the home network, establish the connection to the hob via the Home Connect app.
3. Follow the instructions on your mobile device.

9 Home Connect

This appliance is network-capable. Connecting your appliance to a mobile device lets you control its functions via the Home Connect app, adjust its basic settings and monitor its operating status.

The Home Connect services are not available in every country. The availability of the Home Connect function depends on the availability of Home Connect services in your country. You can find information about this at: www.home-connect.com.

The Home Connect app guides you through the entire login process. Follow the instructions in the Home Connect app to configure the settings.

Tips

- Please consult the documents supplied by Home Connect.
- Please also follow the instructions in the Home Connect app.

Notes

- Please note the safety precautions in this instruction manual and make sure that they are also observed when operating the appliance via the Home Connect app. → "Safety", *Page 2*

- Operating the appliance on the appliance itself always takes priority. During this time it is not possible to operate the appliance using the Home Connect app.
- In networked standby mode, the appliance requires a maximum of 2 W.
- If you need your device's MAC address to connect to your home network, you can find this next to the rating plate. → *Page 13*

9.1 Setting up Home Connect

Requirements

- The appliance is connected to the power supply and is switched on.
- You have a smartphone or tablet with a current version of the iOS or Android operating system.
- The smartphone and the appliance are within range of your home network's Wi-Fi signal.

1. Download the Home Connect app.


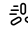


2. Open the Home Connect app and scan the following QR code.



3. Follow the instructions in the Home Connect app.

9.2 Resetting the connection

- ▶ Reset the saved connections to the Wi-Fi and Home Connect by pressing and holding  and  for approx. three seconds.

9.3 Software update

Your appliance's software can be updated using the software update function, e.g. for the purposes of optimisation, troubleshooting or security updates. To do this, you must be a registered Home Connect user, have installed the app on your mobile device and be connected to the Home Connect server. As soon as a software update is available, you will be informed via the Home Connect app and will be able to start the software update via the app. Once the update has been successfully downloaded, you can start installing it via the Home Connect app if you are in your local area network. The Home Connect app will inform you once installation is successful.

Notes

- You can continue to use your appliance as normal while updates are downloading. Depending on your personal settings in the app, software updates can also be set to download automatically.
- We recommend that you install security updates as soon as possible.

9.4 Data protection

Please see the information on data protection.

The first time your appliance is registered on a home network connected to the Internet, your appliance will transmit the following types of data to the Home Connect server (initial registration):

- Unique appliance identification (consisting of appliance codes as well as the MAC address of the Wi-Fi communication module installed).
- Security certificate of the Wi-Fi communication module (to ensure a secure data connection).
- The current software and hardware version of your appliance.
- Status of any previous reset to factory settings.

This initial registration prepares the Home Connect functions for use and is only required when you want to use the Home Connect functions for the first time.

Note: Please note that the Home Connect functions can only be utilised with the Home Connect app. Information on data protection can be retrieved in the Home Connect app.

9.5 Declaration of Conformity

Robert Bosch Hausgeräte GmbH hereby declares that the appliance with Home Connect functionality meets the essential requirements and other relevant provisions of the Directive 2014/53/EU.

A detailed RED Declaration of Conformity can be found online at www.bosch-home.com among the additional documents on the product page for your appliance.



2.4 GHz band: 100 mW max.
5 GHz band: 100 mW max.



BE	BG	CZ	DK	DE	EE	IE	EL
ES	FR	HR	IT	CY	LV	LT	LU
HU	MT	NL	AT	PL	PT	RO	SI
SK	FI	SE	UK	NO	CH	TR	

5 GHz WLAN (Wi-Fi): For indoor use only.

10 Cleaning and servicing

To keep your appliance working efficiently for a long time, it is important to clean and maintain it carefully.

10.1 Cleaning products

You can obtain suitable cleaning products from after-sales service or the online shop.

ATTENTION!

Unsuitable cleaning products may damage the surfaces of the appliance.

- ▶ Do not use harsh or abrasive detergents.
- ▶ Do not use cleaning products with a high alcohol content.
- ▶ Do not use hard scouring pads or cleaning sponges.
- ▶ Do not use any special cleaners for cleaning the appliance while it is hot.
- ▶ Only use glass cleaners, glass scrapers or stainless steel care products if recommended in the cleaning instructions for the relevant part.
- ▶ Wash sponge cloths thoroughly before use.

10.2 Cleaning the appliance

Clean the appliance as specified. This will ensure that the different parts and surfaces of the appliance are not damaged by incorrect cleaning or unsuitable cleaning products.

⚠ WARNING – Risk of explosion!

Highly caustic alkaline or highly acidic cleaning agents in conjunction with aluminium parts in the interior of the appliance may cause explosions.

- ▶ Never use highly caustic alkaline or highly acidic cleaning agents. In particular, do not use commercial or industrial cleaning agents in conjunction with aluminium parts, e.g. grease filter on extractor hoods.

⚠ WARNING – Risk of electric shock!

An ingress of moisture can cause an electric shock.

- ▶ Before cleaning, pull out the mains plug or switch off the fuse in the fuse box.
- ▶ Do not use steam- or high-pressure cleaners to clean the appliance.

⚠ WARNING – Risk of burns!

The appliance becomes hot during operation.

- ▶ Allow the appliance to cool down before cleaning.

⚠ WARNING – Risk of injury!

Components inside the appliance may have sharp edges.

- ▶ Carefully clean the appliance interior.

1. Observe the information regarding the cleaning agents.
2. Clean as follows, depending on the surface:
 - Clean stainless steel surfaces in the direction of the finish using a sponge cloth and hot soapy water.
 - Clean painted surfaces using a damp sponge cloth and hot soapy water.

- Clean aluminium using a soft cloth and glass cleaner.
- Clean plastic using a soft cloth and glass cleaner.
- Clean glass using a soft cloth and glass cleaner.

3. Dry with a soft cloth.

4. Apply a thin layer of the stainless steel cleaning product to stainless steel surfaces using a soft cloth.

You can obtain stainless steel cleaning products from the after-sales service or the online shop.

10.3 Cleaning controls

⚠ WARNING – Risk of electric shock!

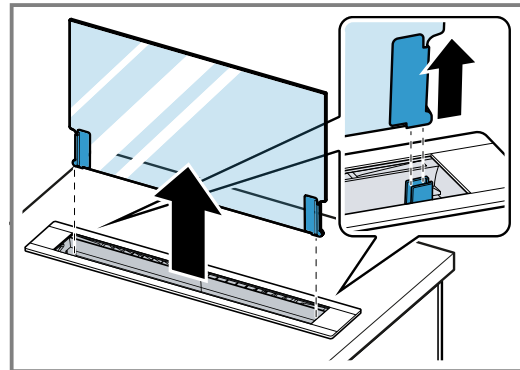
Penetrating moisture may cause an electric shock.

- ▶ Do not use wet sponge cloths.

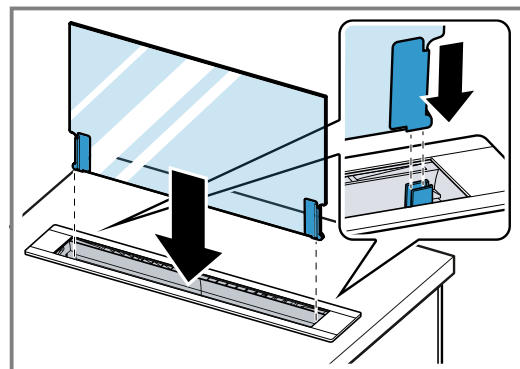
1. Observe the information regarding the cleaning agents.
2. Clean using a damp sponge cloth and hot soapy water.
3. Dry with a soft cloth.

10.4 Cleaning the glass panel

1. Carefully remove the glass panel.



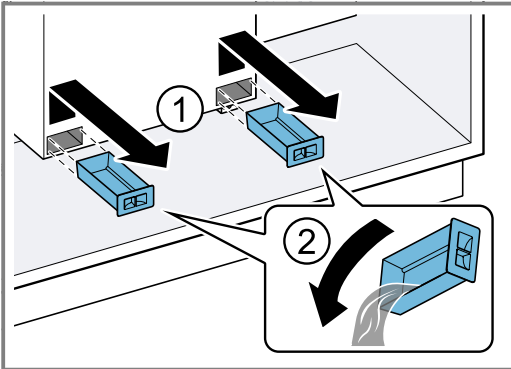
2. Observe the information regarding the cleaning agents.
3. Clean with a soft cloth and glass cleaner.
4. Insert the glass panel as far as it will go into the guides.



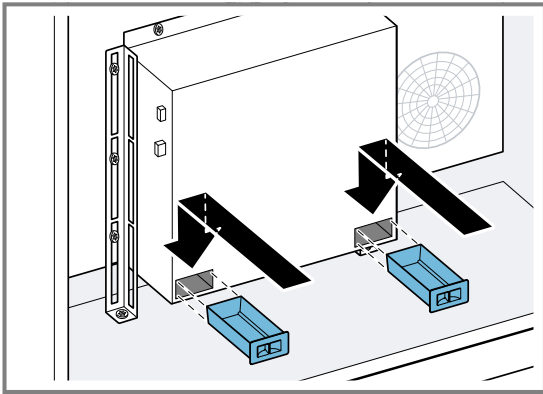
10.5 Cleaning the drip tray

When cooking or cleaning the appliance, liquid may get into the appliance. The drip trays are used to collect this liquid.


1. Remove the drip tray ① and empty it ②.

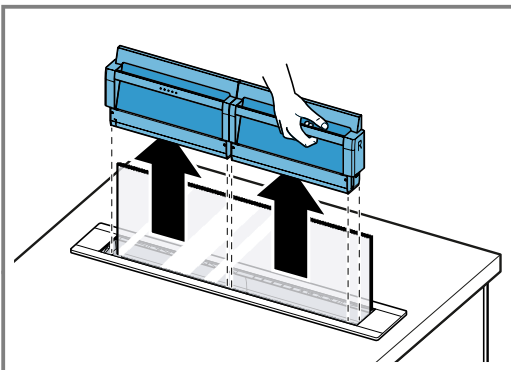


2. Observe the information regarding the cleaning agents.
3. Clean the drip tray and re-insert it.



10.6 Removing the grease filter

1. Press .
 - ✓ The glass panel moves halfway down and the grease filter cartridges are transported to the top.
2. Remove the grease filter cassettes.



3. Remove the grease filters.
To avoid causing damage, do not bend the grease filters.

10.7 Cleaning grease filters manually

The grease filters filter the grease from the cooking vapour. Regularly cleaned grease filters guarantee a high level of grease removal.

⚠ WARNING – Risk of fire!

Fatty deposits in the grease filters may catch fire.
► Clean the grease filters regularly.

Requirement: The grease filters have been removed.
→ "Removing the grease filter", Page 11

1. Observe the information regarding the cleaning agents.
2. Soak the grease filter in hot soapy water.
Use special grease solvent for stubborn dirt. You can obtain grease solvents from after-sales service or the online shop.
3. Use a brush to clean the grease filters.
4. Rinse the grease filters thoroughly.
5. Allow the grease filters to drain.

10.8 Cleaning grease filters in the dishwasher

The grease filters filter the grease from the cooking vapour. Regularly cleaned grease filters guarantee a high level of grease removal.

⚠ WARNING – Risk of fire!

Fatty deposits in the grease filters may catch fire.
► Clean the grease filters regularly.

ATTENTION!

The grease filters may become damaged if they are squeezed.

- Do not squeeze the grease filters.

Note: When cleaning the grease filter in the dishwasher, light discolouration may occur. This discolouration has no effect on the performance of the metal grease filters.

Requirement: The grease filters have been removed.
→ "Removing the grease filter", Page 11


1. Observe the information regarding the cleaning agents.
2. Place the grease filters loosely into the dishwasher.
Do not clean heavily soiled grease filters with utensils.
Use special grease solvent for stubborn dirt. You can obtain grease solvents from after-sales service or the online shop.
3. Start the dishwasher.
Select a temperature of no more than 70 °C.
4. Allow the grease filters to drain.

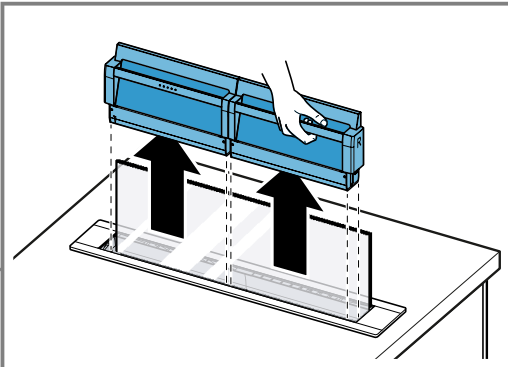
10.9 Cleaning the grease filter cartridge

Requirement: The grease filters have been removed.
→ "Removing the grease filter", Page 11

1. Clean the grease filter cartridge.
2. Observe the information regarding the cleaning agents.

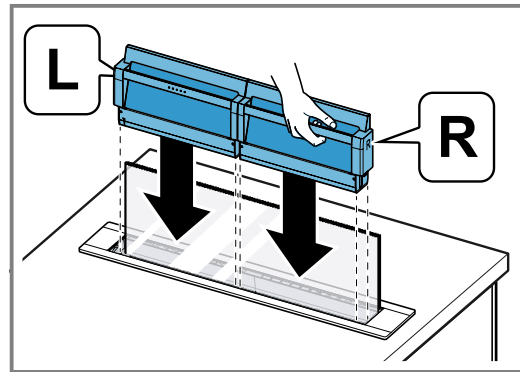
10.10 Fitting the grease filters


1. Press .
- ✓ The glass panel moves halfway down and the grease filter cartridges are transported to the top.
2. Remove the grease filter cassettes.



3. Insert the grease filter into the grease filter cartridges.

- To avoid causing damage, do not bend the grease filters.
4. Insert the grease filter cartridges.



5. Press .
6. The glass panel and the filter cartridges move downwards.
 - ✓ The appliance flap closes and the appliance switches off.

11 Troubleshooting

You can rectify minor faults on your appliance yourself. Read the troubleshooting information before contacting after-sales service. This will avoid unnecessary costs.

WARNING – Risk of injury!

Improper repairs are dangerous.

- ▶ Repairs to the appliance should only be carried out by trained specialist staff.
- ▶ If the appliance is defective, call Customer Service.

WARNING – Risk of electric shock!

Incorrect repairs are dangerous.

- ▶ Repairs to the appliance should only be carried out by trained specialist staff.
- ▶ Only use genuine spare parts when repairing the appliance.
- ▶ If the power cord of this appliance is damaged, it must be replaced by trained specialist staff.

11.1 Malfunctions

Fault	Cause and troubleshooting
The appliance is not working.	The mains plug of the power cord is not plugged in. <ul style="list-style-type: none"> ▶ Connect the appliance to the power supply.
	The circuit breaker is faulty. <ul style="list-style-type: none"> ▶ Check the circuit breaker in the fuse box.
	There has been a power cut. <ul style="list-style-type: none"> ▶ Check whether the lighting in your kitchen or other appliances are working.
The glass panel is not inserted correctly.	<ul style="list-style-type: none"> ▶ Insert the glass panel carefully as far as it will go.
	Liquid flows into the appliance. <ul style="list-style-type: none"> ▶ Pull out the mains plug or switch off the appliance at the circuit breaker in the fuse box. ▶ Empty the drip trays and remove the grease filters cartridges. → <i>Page 11</i> ▶ Dry all accessible places. ▶ Leave the appliance flap open and restart the appliance only after 48 hours. ▶ Insert the drip tray and the grease filters cartridges.
The glass panel is removed, and the appliance has been operated.	<ul style="list-style-type: none"> ▶ Insert the glass panel and disconnect the appliance from the power supply for approx. one minute.

Fault	Cause and troubleshooting
The appliance flap does not close completely.	An object is jammed in the appliance. <ul style="list-style-type: none"> ▶ Disconnect the appliance from the electricity. ▶ Carefully open the flap and remove the object that has become jammed. ▶ Close the flap carefully. ▶ Connect the appliance to the power supply.
The button illumination does not work.	The control unit is faulty. <ul style="list-style-type: none"> ▶ Call the after-sales service. → "Customer Service", Page 13
The lighting does not work.	Different causes are possible. <ul style="list-style-type: none"> ▶ Call the after-sales service. → "Customer Service", Page 13 ▶ Defective LED lights may be replaced by the manufacturer, their customer service or a qualified technician (electrician) only.
The top two LEDs flash in the left-hand control panel (7).	The grease filters are saturated. <ul style="list-style-type: none"> ▶ → "Cleaning grease filters in the dishwasher", Page 11
The bottom two LEDs flash in the left-hand control panel (6).	The odour filters are saturated. <ul style="list-style-type: none"> ▶ Change the odour filter.
HomeConnect is not working correctly.	Different causes are possible. <ul style="list-style-type: none"> ▶ Go to www.home-connect.com.

12 Customer Service

If you have any queries on use, are unable to rectify faults on the appliance yourself or if your appliance needs to be repaired, contact Customer Service. Function-relevant genuine spare parts according to the corresponding Ecodesign Order can be obtained from Customer Service for a period of at least 10 years from the date on which your appliance was placed on the market within the European Economic Area.

Note: Under the terms of the manufacturer's warranty the use of Customer Service is free of charge.

Detailed information on the warranty period and terms of warranty in your country is available from our after-sales service, your retailer or on our website.

If you contact Customer Service, you will require the product number (E-Nr.) and the production number (FD) of your appliance.

The contact details for Customer Service can be found in the enclosed Customer Service directory or on our website.

12.1 Product number (E-Nr.) and production number (FD)

You can find the product number (E-Nr.) and the production number (FD) on the appliance's rating plate. The rating plate is located on the fan box. Make a note of your appliance's details and the Customer Service telephone number to find them again quickly.

13 Accessories

Use original accessories. These have been made especially for your appliance.

Accessories	Order number
Clean Air Plus odour filter, 80 cm (replacement)	DSZ1WW1B6
Clean Air Plus air recirculation set, 80 cm	DSZ1WW1I6
Long Life air recirculation set, 80 cm	DSZ1WW1J1
Installation kit for removable fan	DSZ1WW1M1
Installation kit for seamless installation, 80 cm	DSZ8WW1Y2

Accessories	Order number
Flat duct piece, straight, 500 mm	HEZ9VDSM1
Flat duct piece, straight, 1000 mm	HEZ9VDSM2
90° flat duct elbow, horizontal	HEZ9VDSB1
90° flat duct elbow, vertical	HEZ9VDSB2
Adapter piece, round/flat	HEZ9VDSI0
90° adapter piece round/flat	HEZ9VDSI1
Connecting sleeve	HEZ9VDSS1

14 Disposal

Find out here how to dispose of old appliances correctly.

14.1 Disposing of old appliance

Valuable raw materials can be reused by recycling.

1. Unplug the appliance from the mains.
2. Cut through the power cord.
3. Dispose of the appliance in an environmentally friendly manner.

Information about current disposal methods are available from your specialist dealer or local authority.



This appliance is labelled in accordance with European Directive 2012/19/EU concerning used electrical and electronic appliances (waste electrical and electronic equipment - WEEE).

The guideline determines the framework for the return and recycling of used appliances as applicable throughout the EU.

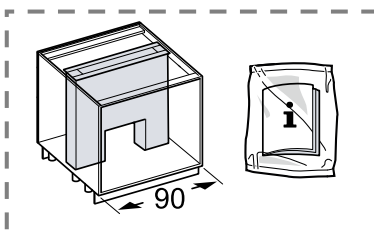
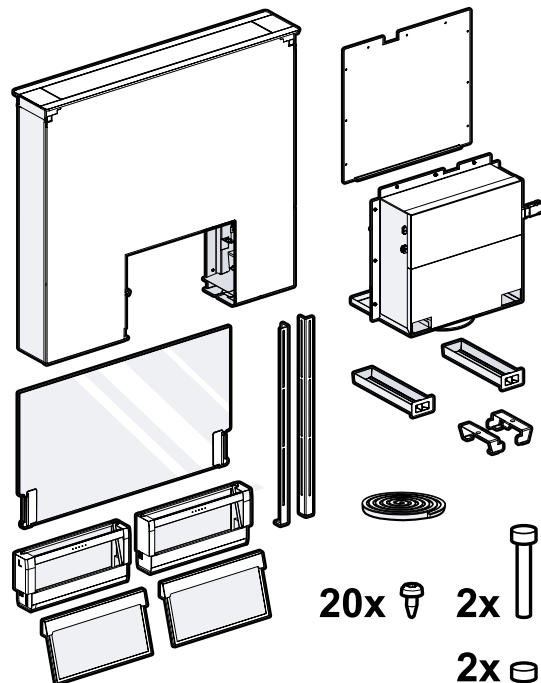
15 Installation instructions

Observe this information when installing the appliance.



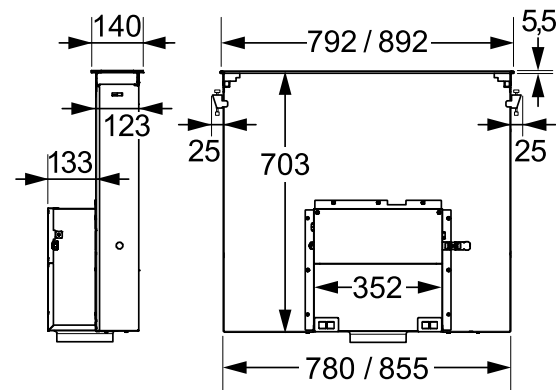
15.1 Included with the appliance

After unpacking all parts, check for any damage in transit and completeness of the delivery.

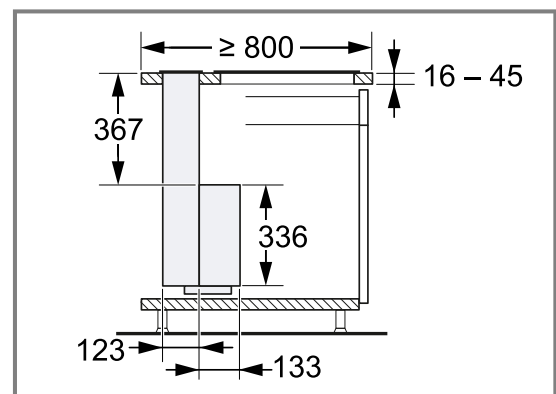


15.2 Appliance dimensions

You will find the dimensions of the appliance here



Observe the dimensions of the unit.



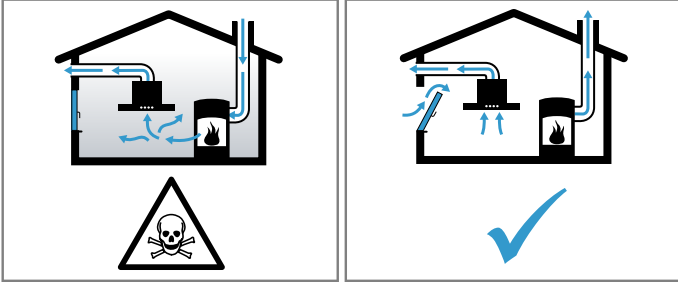
15.3 Secure installation

Follow these safety instructions when installing the appliance.

WARNING – Risk of poisoning!

Risk of poisoning from flue gases being drawn back in. Room-air-dependent heat-producing appliances (e.g. gas, oil, wood or coal-operated heaters, continuous flow heaters or water heaters) obtain combustion air from the

room in which they are installed and discharge the exhaust gases into the open through an exhaust gas system (e.g. a chimney). With the extractor hood switched on, air is extracted from the kitchen and the adjacent rooms. Without an adequate supply of air, the air pressure falls below atmospheric pressure. Toxic gases from the flue or the extraction shaft are sucked back into the living space.



- ▶ Always ensure adequate fresh air in the room if the appliance is being operated in exhaust air mode at the same time as a room-air-dependent heat-producing appliance is being operated.
- ▶ It is only possible to safely operate the appliance if the pressure in the room in which the heating appliance is installed does not drop more than 4 Pa (0.04 mbar) below atmospheric pressure. This can be achieved whenever the air needed for combustion is able to enter through openings that cannot be sealed, for example in doors, windows, incoming/exhaust air wall boxes or by other technical means. An incoming/exhaust air wall box alone does not ensure compliance with the limit.
- ▶ In any case, consult your responsible chimney sweep. They are able to assess the house's entire ventilation setup and will suggest the suitable ventilation measures to you.

⚠ WARNING – Risk of suffocation!

Children may put packaging material over their heads or wrap themselves up in it and suffocate.

- ▶ Keep packaging material away from children.
- ▶ Do not let children play with packaging material.

⚠ WARNING – Risk of fire!

Grease deposits in the grease filter may catch fire.

- ▶ The specified safety clearances must be complied with in order to prevent a build-up of heat.

Grease deposits in the grease filter may catch fire.

- ▶ Never work with naked flames close to the appliance (e.g. flambéing).
- ▶ Do not install the appliance near a heat-producing appliance for solid fuel (e.g. wood or coal) unless a closed, non-removable cover is available. There must be no flying sparks.

⚠ WARNING – Risk of injury!

Components inside the appliance may have sharp edges.

- ▶ Wear protective gloves.

The appliance is heavy.

- ▶ To move the appliance, two people are required.
 - ▶ Use only suitable tools and equipment.
- Changes to the electrical or mechanical assembly are dangerous and may lead to malfunctions.
- ▶ Do not make any changes to the electrical or mechanical assembly.

⚠ WARNING – Risk of fire!

Unsuitable appliance combinations may cause damage.

- ▶ Do not use the appliance in combination with gas hobs.

⚠ WARNING – Risk of electric shock!

Sharp-edged components inside the appliance may damage the connecting cable.

- ▶ Do not kink or trap the connecting cable.

If the appliance or the power cord is damaged, this is dangerous.

- ▶ Never operate a damaged appliance.
- ▶ Never pull on the power cord to unplug the appliance. Always unplug the appliance at the mains.
- ▶ If the appliance or the power cord is damaged, immediately unplug the power cord or switch off the fuse in the fuse box.
- ▶ Call Customer Service. → *Page 13*
- ▶ Repairs to the appliance should only be carried out by trained specialist staff.

Incorrect repairs are dangerous.

- ▶ Repairs to the appliance should only be carried out by trained specialist staff.

- ▶ Only use genuine spare parts when repairing the appliance.
- ▶ If the power cord of this appliance is damaged, it must be replaced by trained specialist staff.

Improper installation is dangerous.

- ▶ Connect and operate the appliance only in accordance with the specifications on the rating plate.
- ▶ Connect the appliance to a power supply with alternating current only via a properly installed socket with earthing.
- ▶ The protective conductor system of the domestic electrical installation must be properly installed.
- ▶ Never equip the appliance with an external switching device, e.g. a timer or remote control.
- ▶ When the appliance is installed, the mains plug of the power cord must be freely accessible. If free access is not possible, an all-pole isolating switch must be installed in the permanent electrical installation according to the conditions of Overvoltage Category III and according to the installation regulations.
- ▶ When installing the appliance, check that the connection cable is not trapped or damaged.

15.4 Instructions for the electrical connection

In order to safely connect the appliance to the electrical system, follow these instructions.

⚠ WARNING – Risk of electric shock!

It must always be possible to disconnect the appliance from the electricity supply. The appliance must only be connected to a protective contact socket that has been correctly installed.

- ▶ The mains plug for the mains power cable must be easily accessible after the appliance is installed.
- ▶ If this is not possible, an all-pole isolating switch must be integrated into the permanent electrical installation according to the conditions of overvoltage category III and according to the installation regulations.
- ▶ The permanent electrical installation must only be wired by a professional electrician. We recommend installing a residual-current circuit breaker (RCCB) in the appliance's power supply circuit.

Sharp-edged components inside the appliance may damage the connecting cable.

- ▶ Do not kink or trap the connecting cable.
- The connection data can be found on the rating plate. → Page 13
- The connecting cable is approx. 1.30 m long.

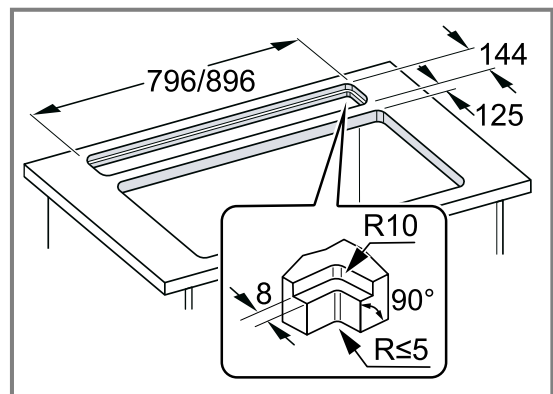
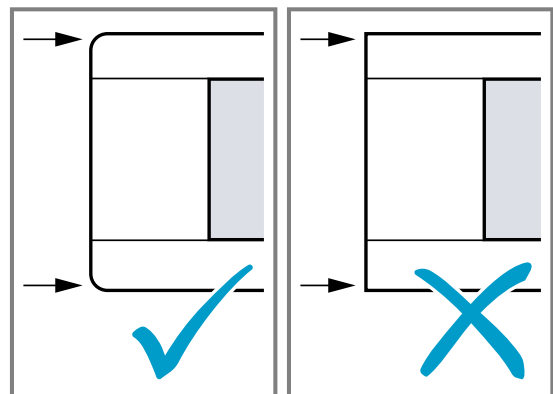
- This appliance complies with the EC interference suppression regulations.
- The appliance corresponds to protection class 1. You should therefore only use the appliance with a protective earth connection.
- Do not connect the appliance to the power supply during installation.
- Ensure that the protection against contact is guaranteed during installation.

15.5 Information on the installation situation

- Install this appliance in a worktop.
- The appliance is not suitable for combined operation with a gas hob.
- To install additional special accessory parts, observe the enclosed installation instructions.

To ensure that the appliance does not lose any power, do not install any wall units above the appliance and maintain the following clearances:

- At least 50 cm to the left and right from the appliance to a wall or to an adjacent wall unit
- At least 5 cm from the frame of the appliance to a wall
- At least 2 cm from the Guided Air suction area to a unit wall
- Flush installation is only possible in stone and granite work surfaces.



15.6 Instructions for the exhaust air pipe

The appliance manufacturer does not provide any warranty for faults attributable to the pipeline.

- Use a short, straight exhaust air pipe with as large a pipe diameter as possible.
- Long, rough exhaust air pipes, many pipe bends or small pipe diameters reduce the suction power and increase the fan noise.

- Use an exhaust pipe that is made of non-combustible material.
- To prevent condensate from returning, fit the exhaust pipe with a 1° gradient from the appliance.

Note: Suitable air extraction ducts are available from our after-sales service, your dealer or on our website.

Flat ducts

Use flat ducts with an inner cross-section that corresponds to the diameter of the round pipes:

- Diameter of 150 mm corresponds to approx. 177 cm².
- Diameter of 120 mm corresponds to approx. 113 cm².
- Use sealing strips for different pipe diameters.
- Do not use any flat ducts with sharp bends.

Round pipes

Use round pipes with an inner diameter of 150 mm (recommended) or at least 120 mm.

15.7 General information

Follow these general instructions during the installation.

- For the installation, observe the currently valid building regulations and the regulations of the local electricity and gas suppliers.
- When discharging the exhaust air, the official and legal regulations, such as the regional building code., must be observed.
- The width of the extractor hood must correspond at least with the width of the hob.
- To optimally detect the cooking vapours, install the appliance behind the hob.
- In order to freely access the fan box for servicing, select an easy-to-reach installation site.
- The surfaces of the appliance are sensitive. Avoid damaging them during installation.

15.8 Installation

Checking the units

- ▶ Check whether the fitted unit is level and has sufficient load-bearing capacity.

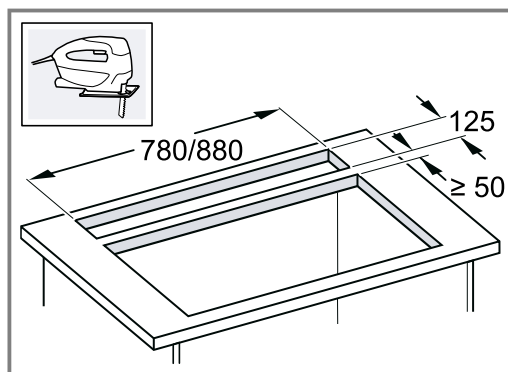
The max. weight of the appliance is 40 kg.

Preparing the units

Note: To install the hob and the appliance seamlessly, you require special accessories, which are not included in the scope of delivery. Observe the enclosed installation instructions for special accessories.

Requirement: The unit is suitable for the installation.

1. Make a cut-out in the worktop, depending on the installation position.



The angle between the cut surface and the worktop must be 90°.

2. Ensure that the worktop has sufficient load-bearing capacity and stability.
Use a heat- and humidity-resistant reinforcing material for any substructure.
3. Ensure that the fitted unit is still stable after the cut-outs have been made.
4. Remove any shavings.
5. Depending on the installation position, remove the back panel of the fitted unit.

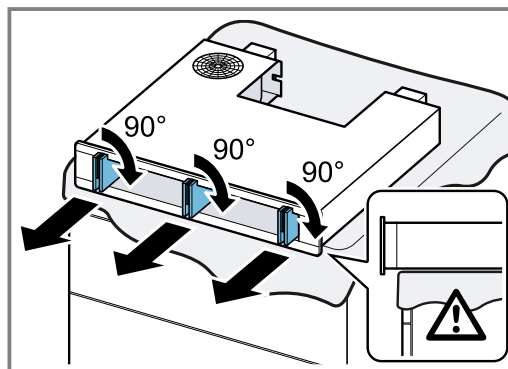
Preparing the appliance

⚠ WARNING – Risk of injury!

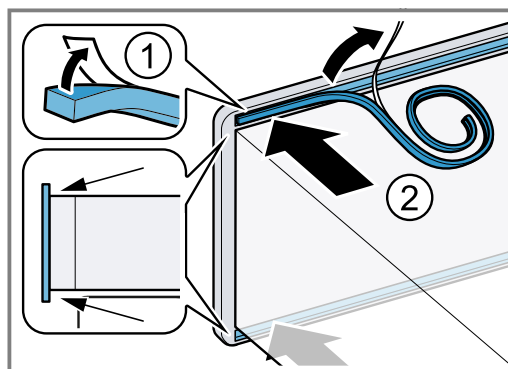
The appliance is heavy.

- ▶ To move the appliance, two people are required.
- ▶ Use only suitable tools and equipment.

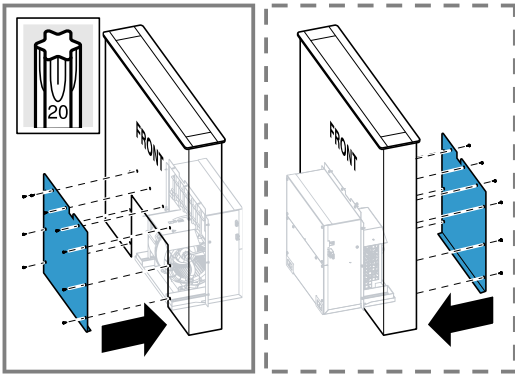
1. Place the appliance on a soft surface and remove the transport lock.



2. Stick the sealing in the designated groove ① and trim it ②.



3. Screw the covering plate in tightly, depending on the installation position.



Installing the appliance

⚠ WARNING – Risk of injury!

Components inside the appliance may have sharp edges.

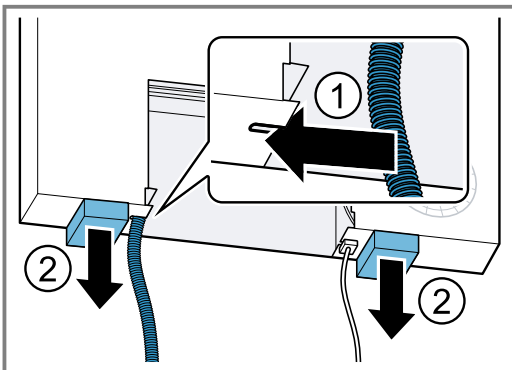
- ▶ Wear protective gloves.

The appliance is heavy.

- ▶ To move the appliance, two people are required.
- ▶ Use only suitable tools and equipment.

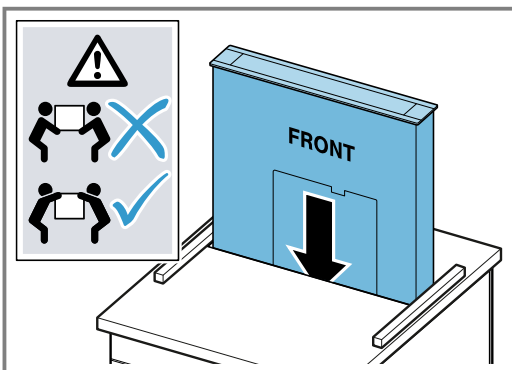
Note: To protect the cables, do not remove the transport lock yet.

1. Lift the appliance by the short sides and align the front of the appliance with the hob.
2. Pull the cable connection into the strain relief ① and remove the transport lock ②.



3. **Note:** To ensure that the appliance is not yet fully inserted into the cut-out, place a slat below the short side of the appliance in each case.

Insert the appliance into the cut-out in the worktop from above.

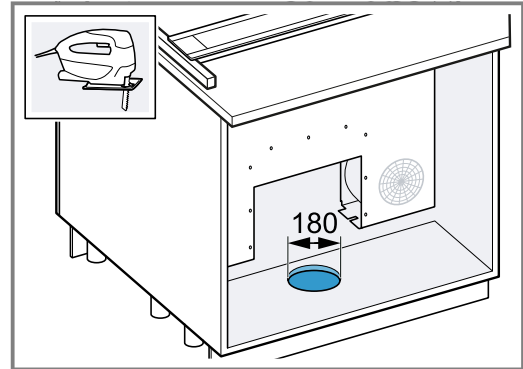


Insert the appliance evenly so that it is not tilted.

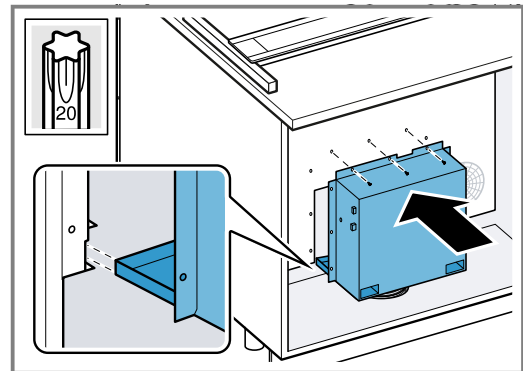
4. Mark the cut-out for the pipework:

- Attach the exhaust air hose for the fan box to the connector.
- Slide the fan box into the guide and tighten this with a screw.
- Mark the position of the pipework on the bottom of the unit.
- Undo the screw and remove the fan box again.

5. Saw out the cut-out for the pipework.



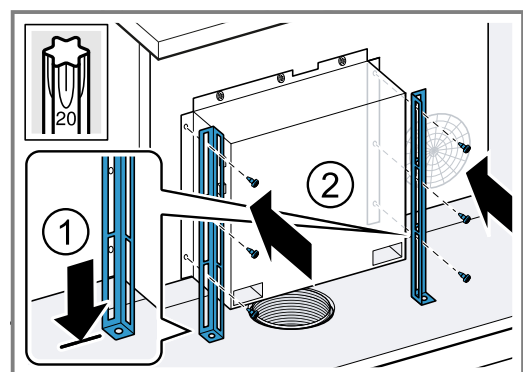
6. Slide the fan box into the guide, connect the pipe-work and screw the fan box tightly back in place.



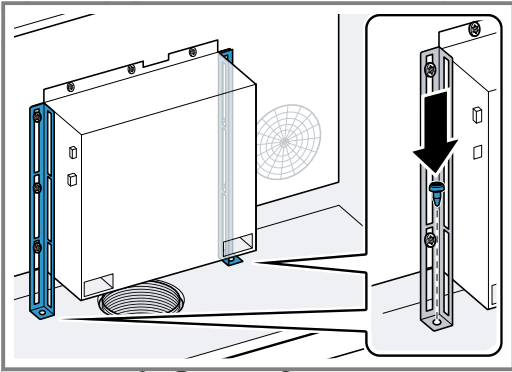
7. Support the appliance from below and remove the slats.

8. Insert the appliance fully in the cut-out.

9. Align the rails to the bottom ① and attach to the side ②.

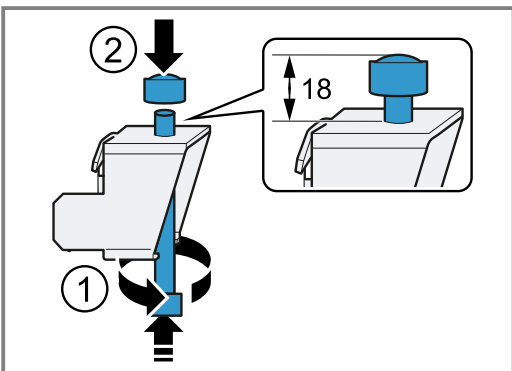


10. Screw the rails onto the bottom of the unit.

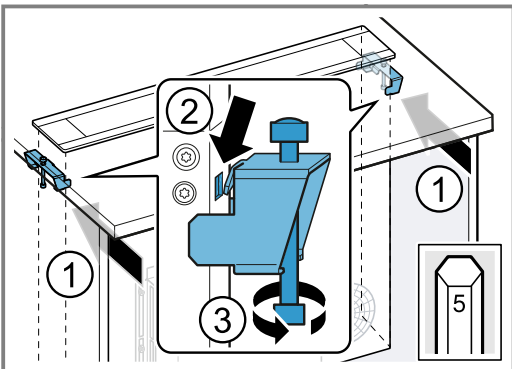


11. **Note:** If an appliance with the dimension 90 cm is installed in a unit with a width of 90 cm, skip the next two installation steps and follow the instructions in the additional accessory pack.

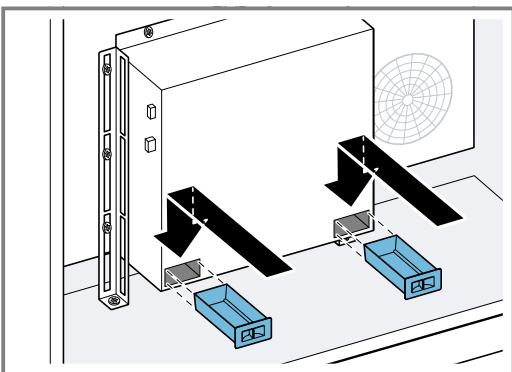
Screw in the screw from below and tighten the nut.



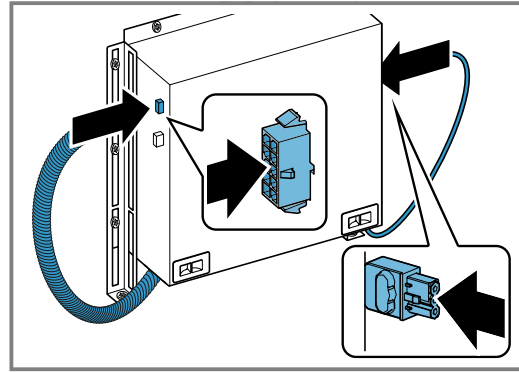
12. Align the appliance to the hob ① and tension it against the worktop ② ③.



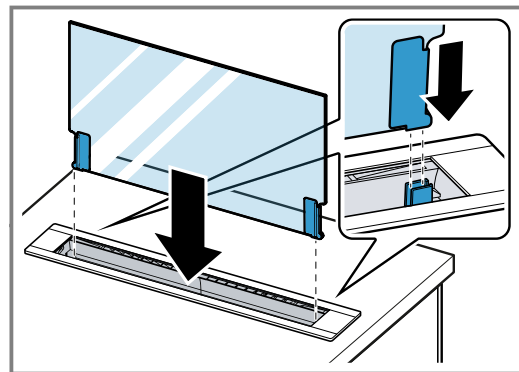
13. Insert the drip tray and snap it into place.



14. Plug the cables into the fan box.



15. Insert the glass panel as far as it will go into the guides.



16. Connect the appliance to the power supply.

✓ The glass panel moves downwards and the appliance closes.

17. Insert the grease filters.

→ "Fitting the grease filters", Page 12



Thank you for buying a Bosch Home Appliance!

Register your new device on MyBosch now and profit directly from:

- **Expert tips & tricks for your appliance**
- **Warranty extension options**
- **Discounts for accessories & spare-parts**
- **Digital manual and all appliance data at hand**
- **Easy access to Bosch Home Appliances Service**

Free and easy registration – also on mobile phones:

www.bosch-home.com/welcome

BOSCH
HOME APPLIANCES
SERVICE

Looking for help? You'll find it here.

Expert advice for your Bosch home appliances, help with problems or a repair from Bosch experts.

Find out everything about the many ways Bosch can support you:

www.bosch-home.com/service

Contact data of all countries are listed in the attached service directory.

Robert Bosch Hausgeräte GmbH

Carl-Wery-Straße 34
81739 München
GERMANY
www.bosch-home.com

Valid within Great Britain:
Imported to Great Britain by
BSH Home Appliances Ltd.
Grand Union House
Old Wolverton Road
Wolverton, Milton Keynes
MK12 5PT
United Kingdom



9001560430 (010120)

en